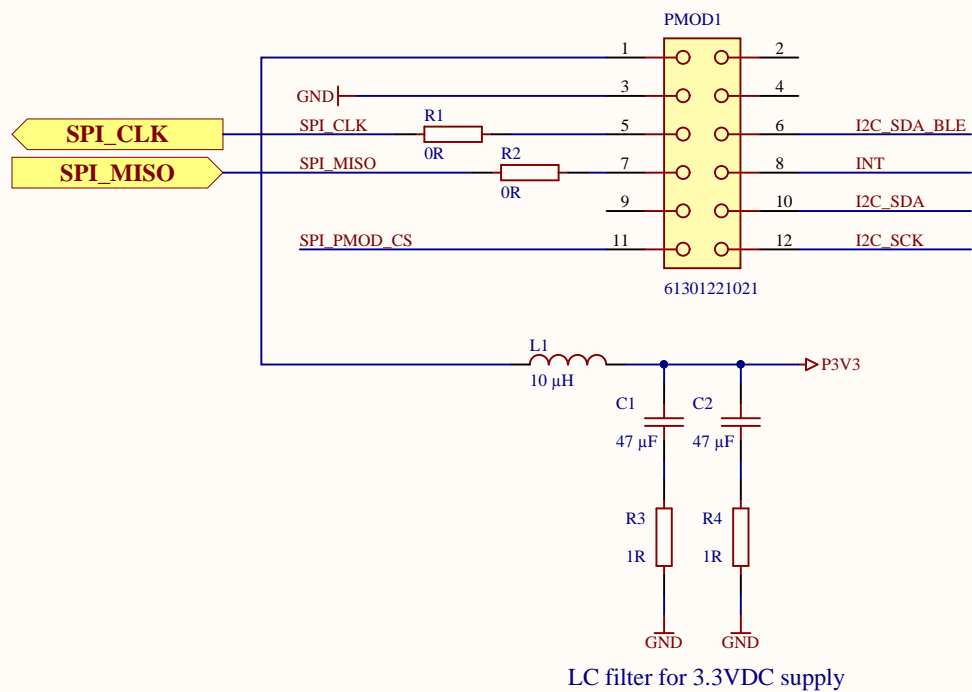


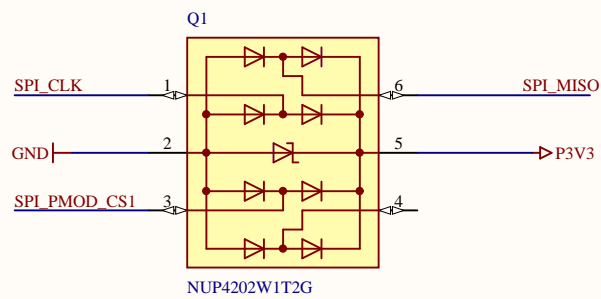
IoT IDK MULTISENSOR-GEVB <i>Multiple-sensor shield for the IoT IDK</i>		Assembly variant: <i>standard_board</i>	State: <i>released</i>
Revision: 2.1	Repository revision: Not in version control		ON Semiconductor Solution Engineering Center Piešťany
Engineer: T. Duris	01/29/2018 4:30PM		
File: IoT_IDK_Multisensor_GEV.B.SchDoc	1/4		



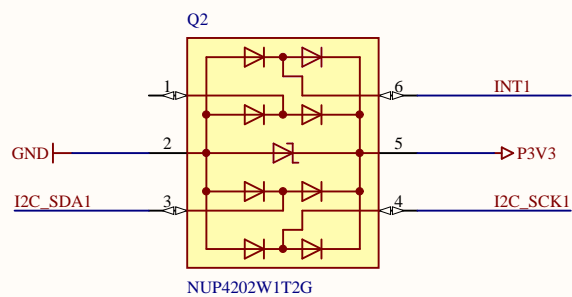
PMOD connector to BB-GEVK and/or BLE-IOT-GEVB



LC filter for 3.3VDC supply

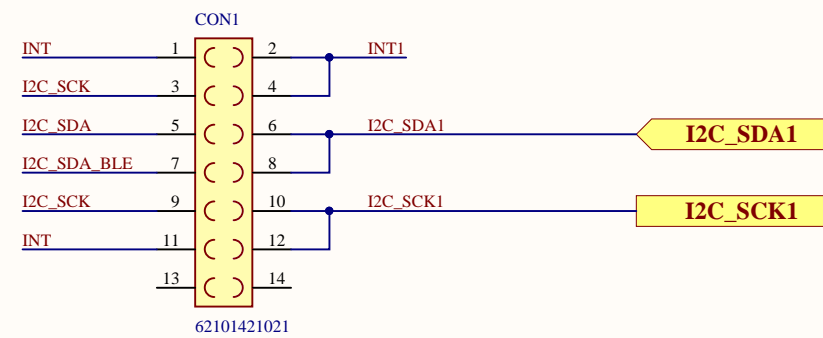


ESD protection SPI

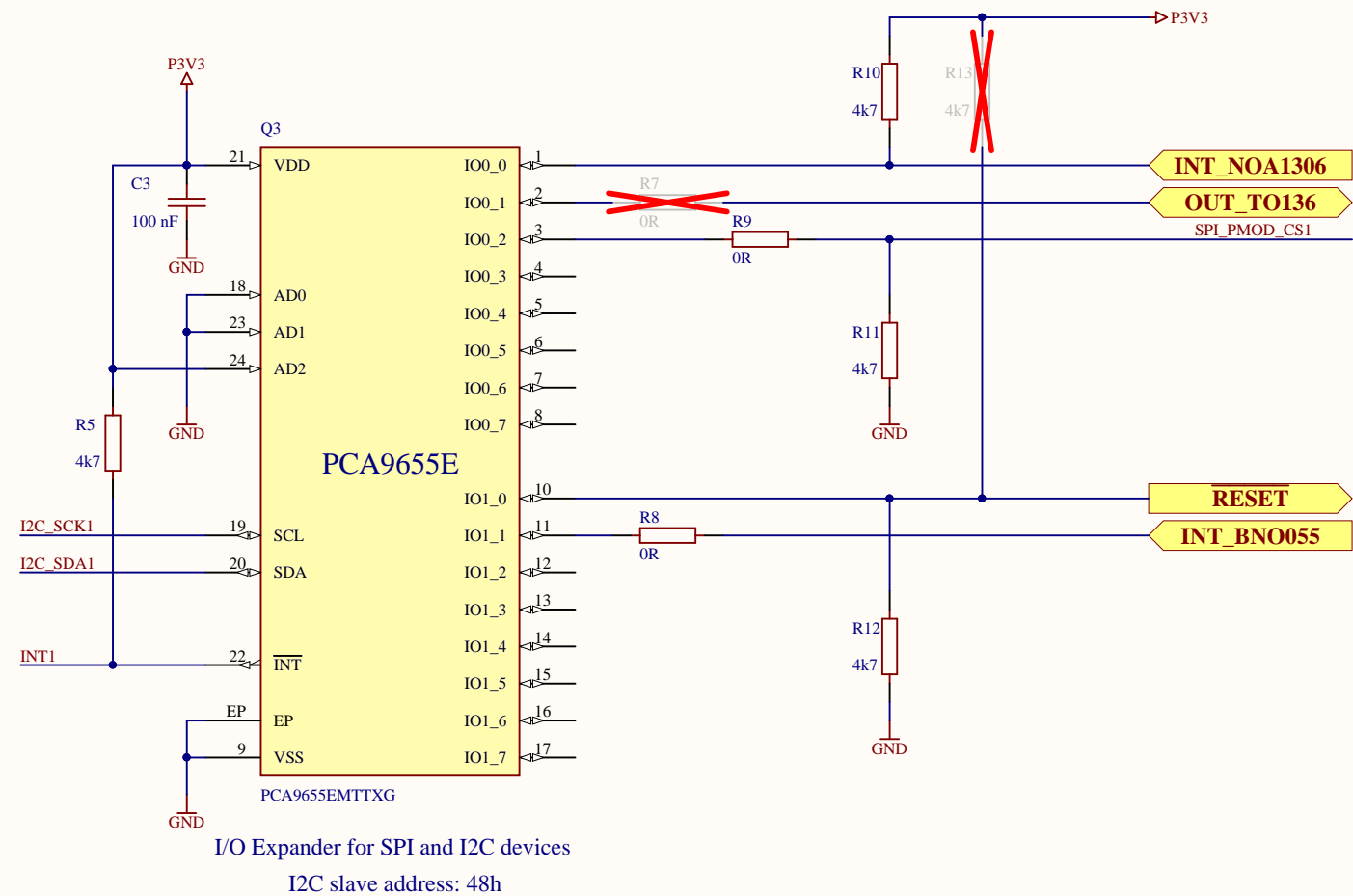


ESD protection I2C

Configuration interface header for the BB-GEVK and/or the BLE-IOT-GEVB

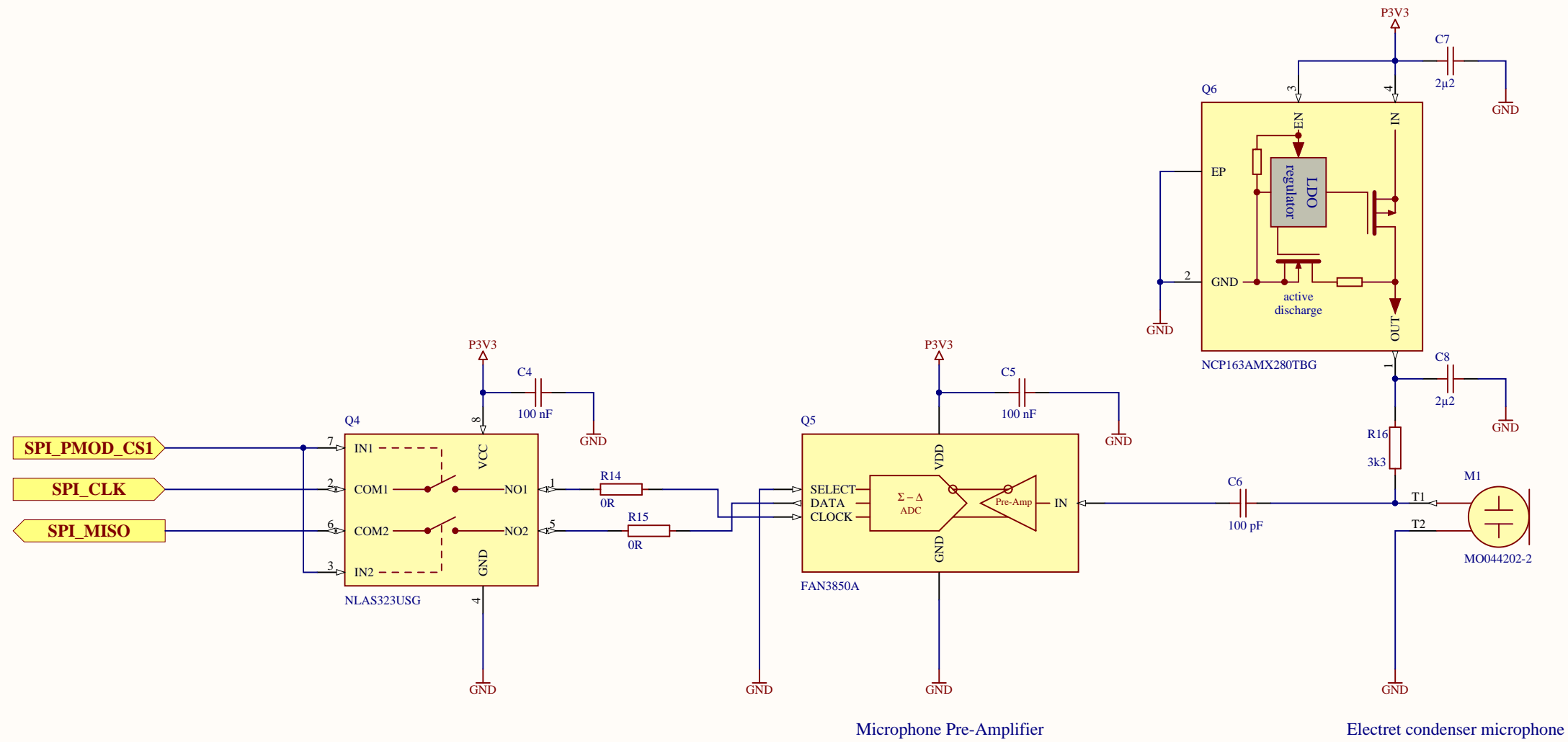


BLE-IOT-GEVB jumper placement: Short 3-4; 7-8; 11-12
 BB-GEVK jumper placement: Short 1-2; 5-6; 9-10



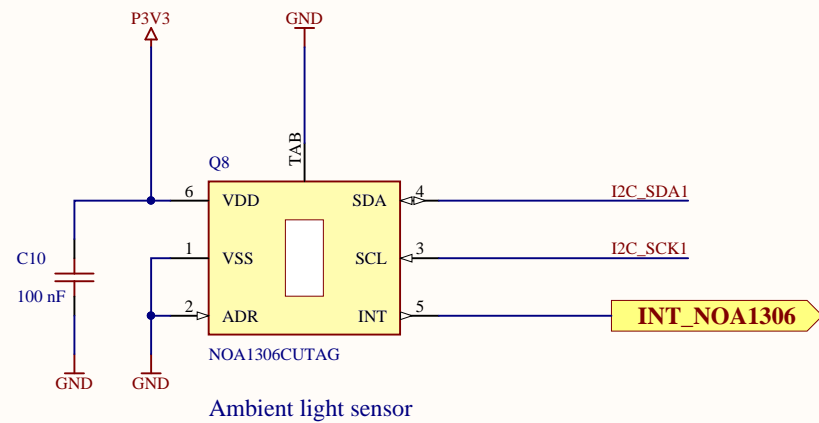
I/O Expander for SPI and I2C devices
 I2C slave address: 48h

IoT IDK MULTISENSOR-GEVB		Assembly variant:	State:
Interface for the BB-GEVK and the BLE-IOT-GEVB		standard_board	released
Revision: 2.1	Repository revision: Not in version control	ON Semiconductor	
Engineer: T. Duris	01/29/2018 4:30PM	Solution Engineering Center	
File: Interface.SchDoc	2/4	Piešťany	

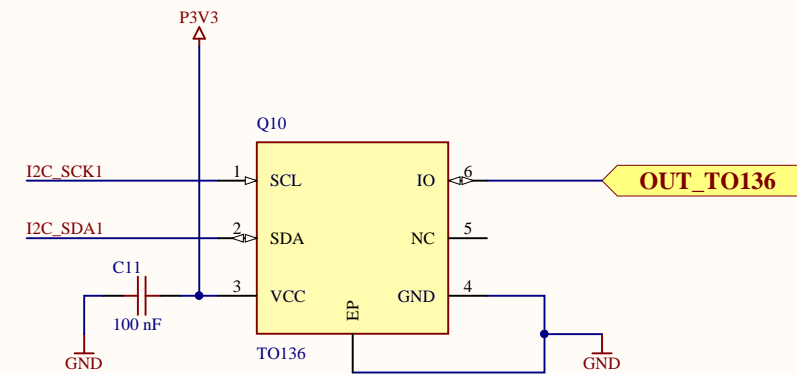
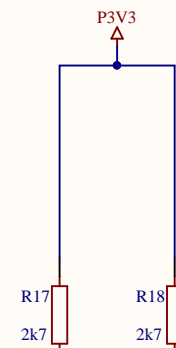


IoT IDK MULTISENSOR-GEVB SPI bus sensors (FAN3850A)		Assembly variant: standard_board	State: released
Revision: 2.1	Repository revision: Not in version control		ON Semiconductor Solution Engineering Center Piešťany
Engineer: T. Duris	01/29/2018 4:30PM		
File: SPI_devices.SchDoc	3/4		





I2C pull-up resistors

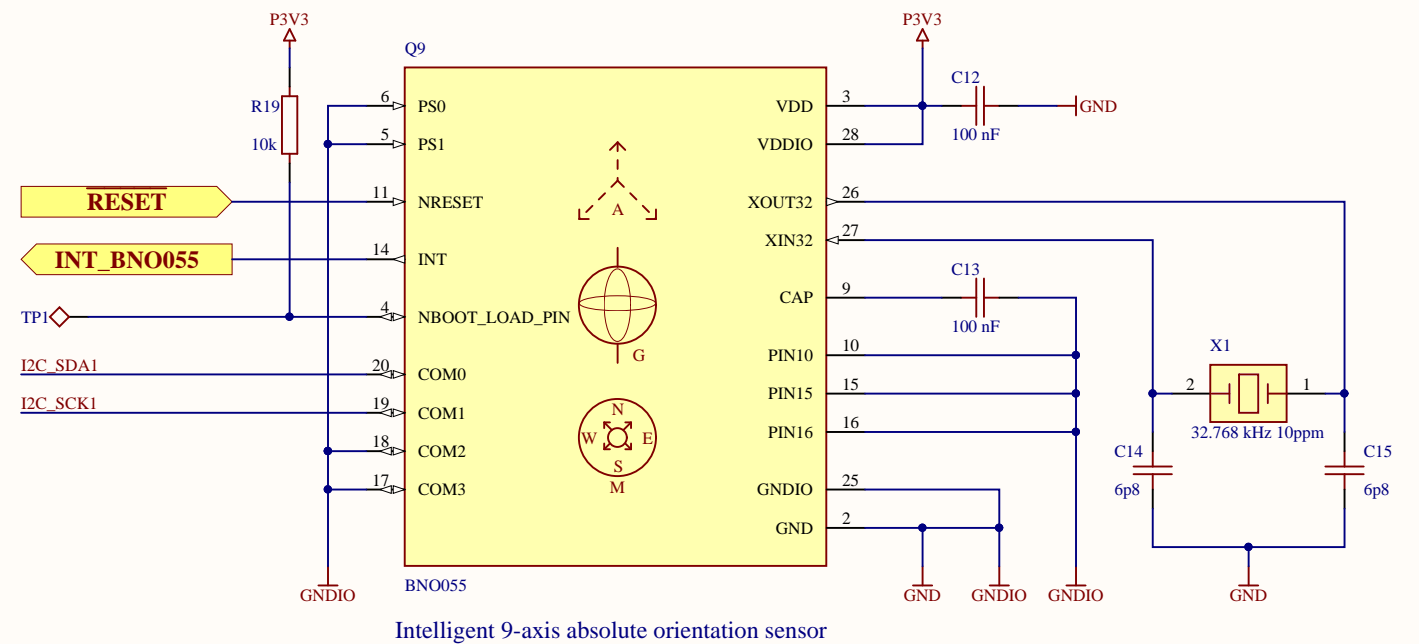
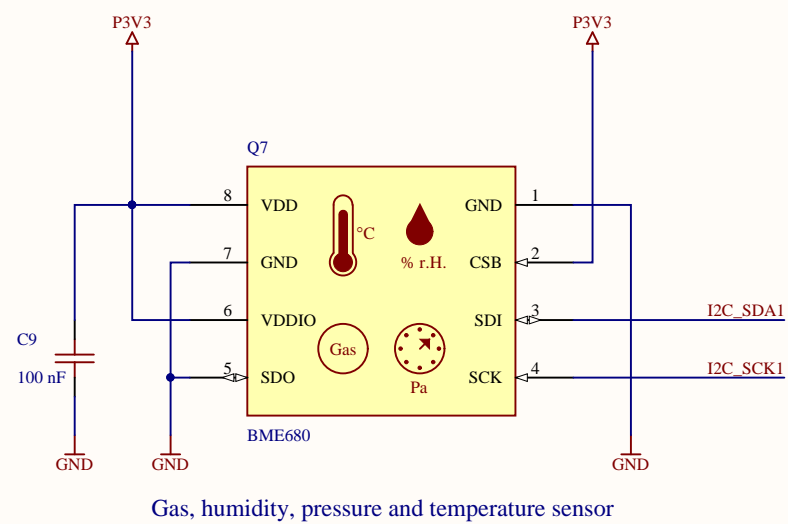


I2C_SDA1

I2C_SCK1

I2C_SDA1

I2C_SCK1



IoT IDK MULTISENSOR-GEVB		Assembly variant:	State:
I2C bus sensors (NOA1306, TO136, BME680, BNO055)		standard_board	released
Revision: 2.1	Repository revision: Not in version control		ON Semiconductor Solution Engineering Center Piešťany
Engineer: T. Duris	01/29/2018 4:30PM		
File: I2C_devices.SchDoc	4/4		

