

# Over-Voltage Protection Load Switch

## FPF2290



WLCSP12  
 CASE 567QX

### General Description

The FPF2290 features a low- $R_{ON}$  internal FET and an operating voltage range of 2.5 V to 23 V. An internal clamping circuit is capable of shunting surge voltages of  $\pm 100$  V, protecting downstream components and enhancing system robustness. The FPF2290 features over-voltage protection that powers down the internal FET if the input voltage exceeds the OVP threshold. The OVP threshold is selectable via Logic select pins (OV1 and OV2). Over-temperature protection also powers down the device at 130°C (typical).

The FPF2290 is available in a fully “green” compliant  $1.3 \times 1.8$  mm Wafer-Level Chip-Scale Package (WLCSP) with backside laminate.

### Features

- Surge Protection
  - ◆ IEC 61000-4-5:  $\pm 100$  V
- Selectable Over-Voltage Protection (OVP) with OV1 and OV2 Logic Inputs
  - ◆ 5.9 V  $\pm 100$  mV
  - ◆ 10 V  $\pm 100$  mV
  - ◆ 14 V  $\pm 280$  mV
  - ◆ 23 V  $\pm 460$  mV
- Over-Temperature Protection (OTP)
- Ultra-Low On-Resistance: Typ. 33 m $\Omega$
- ESD Protection
  - ◆ Human Body Model (HBM): > 2 kV
  - ◆ Charged Device Model (CDM): > 1 kV
  - ◆ IEC 61000-4-2 Air Discharge: > 15 kV
- This is a Pb-Free and Halide Free Device

### Applications

- Mobile Handsets and Tablets
- Portable Media Players
- MP3 Players

### MARKING DIAGRAM



- HR = Specific Device Code
- KK = 2-Digits Lot Run Traceability Code
- XY = 2-Digit Date Code
- Z = Assembly Plant Code

### ORDERING INFORMATION

See detailed ordering and shipping information on page 5 of this data sheet.

# FPF2290

## BLOCK DIAGRAM

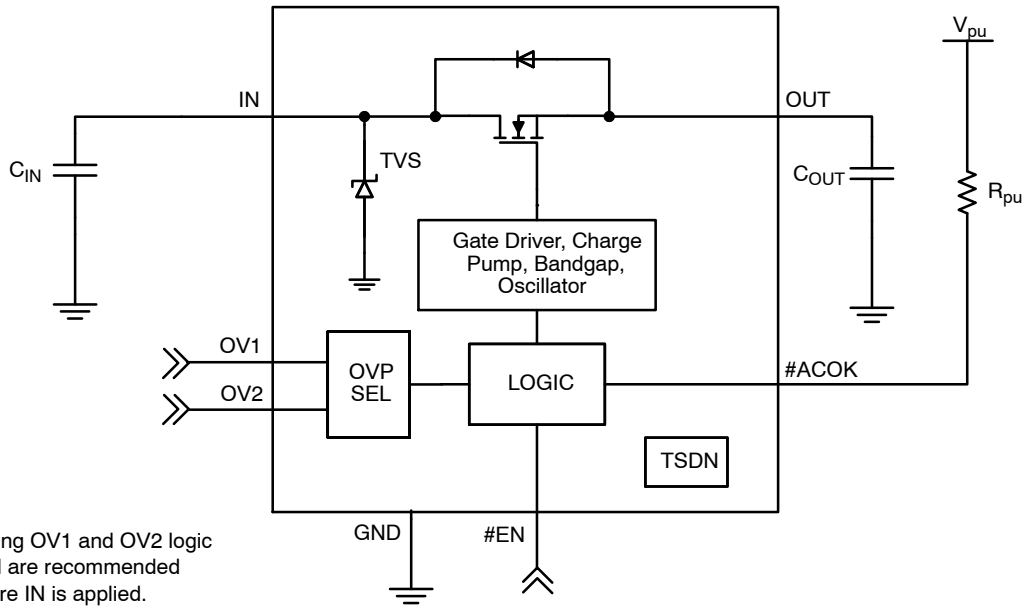


Figure 1. Functional Block Diagram

## PIN CONFIGURATION

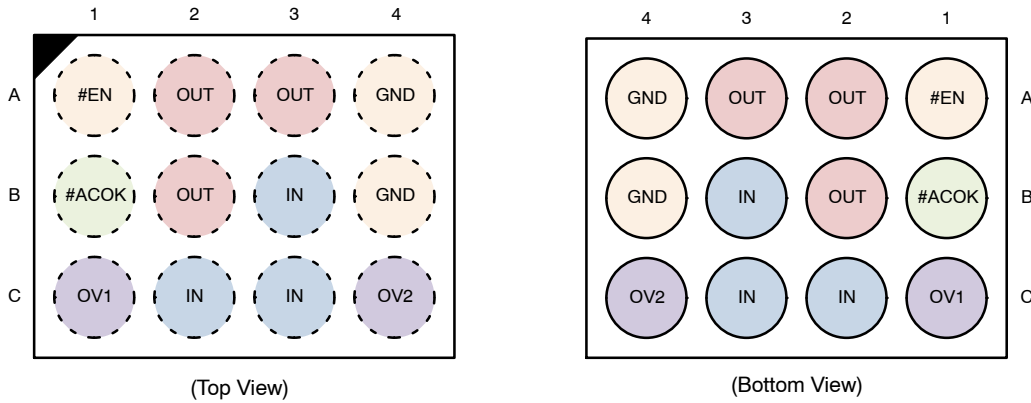


Figure 2. Pin Configuration

## PIN DESCRIPTION

Name	Bump	Type	Description		
IN	B3, C2, C3	Input/Supply	Switch Input and Device Supply		
OUT	A2, A3, B2	Output	Switch Output to Load		
#ACOK	B1	Output	1	Hi-Z: $V_{IN} < V_{IN\_MIN}$ OR $V_{IN} > V_{OVLO}$	
			0	LOW: Voltage Stable	
#EN	A1	Input	Device Enable (Active LOW)		
OV1/2	C1, C4	Input	OVLO Selection Input (see Table 1) Note: Apply OV1 and OV2 Logic levels before VIN is applied.		
GND	A4, B4	Supply	Device Ground		

# FPF2290

**Table 1. OVLO SELECTION**

OV1	OV2	OVP Trip Level
LOW	LOW	5.9 V ±100 mV
HIGH	LOW	10 V ±100 mV
LOW	HIGH	14 V ±280 mV
HIGH	HIGH	23 V ±460 mV

## ABSOLUTE MAXIMUM RATINGS

Symbol	Parameter	Min	Max	Unit	
V <sub>IN</sub>	V <sub>IN</sub> to GND & V <sub>IN</sub> to V <sub>OUT</sub> = GND or Float	-0.3	29.0	V	
V <sub>OUT</sub>	V <sub>OUT</sub> to GND	-0.3	V <sub>IN</sub> + 0.3	V	
V <sub>OVn</sub>	OV1 and OV2 to GND	-0.3	6.0	V	
V <sub>EN_ACOK</sub>	Maximum DC Voltage Allowed on #EN or #ACOK Pin	-	6	V	
I <sub>IN</sub>	Switch I/O Current (Continuous)	-	4.5	A	
t <sub>PD</sub>	Total Power Dissipation at T <sub>A</sub> = 25°C	-	1.48	W	
T <sub>STG</sub>	Storage Temperature Range	-65	+150	°C	
T <sub>J</sub>	Maximum Junction Temperature	-	+150	°C	
T <sub>L</sub>	Lead Temperature (Soldering, 10 Seconds)	-	+260	°C	
Θ <sub>JA</sub>	Thermal Resistance, Junction-to-Ambient (1-in. <sup>2</sup> Pad of 2-oz. Copper) (Note 1)	-	84.1	°C/W	
ESD	IEC 61000-4-2 System Level ESD	Air Discharge	15	-	kV
		Contact Discharge	8	-	
	Human Body Model, ANSI/ESDA/JEDEC JS-001-2012	All Pins	2	-	
	Charged Device Model, JESD22-C101	All Pins	1	-	
Surge	IEC 61000-4-5, Surge Protection	V <sub>IN</sub>	±100	-	V

Stresses exceeding those listed in the Maximum Ratings table may damage the device. If any of these limits are exceeded, device functionality should not be assumed, damage may occur and reliability may be affected.

1. Measured using 2S2P JEDEC std. PCB.

## RECOMMENDED OPERATING CONDITIONS

Symbol	Parameter	Min	Max	Unit
V <sub>IN</sub>	Supply Voltage	2.5	23.0	V
T <sub>A</sub>	Operating Temperature	-40	+85	°C

Functional operation above the stresses listed in the Recommended Operating Ranges is not implied. Extended exposure to stresses beyond the Recommended Operating Ranges limits may affect device reliability.

# FPF2290

## ELECTRICAL CHARACTERISTICS

( $T_A = -40^{\circ}\text{C}$  to  $85^{\circ}\text{C}$ ,  $V_{IN} = 2.5$  to  $23$  V, unless otherwise indicated. Typical values are  $V_{IN} = 5.0$  V,  $I_{IN} \leq 3$  A,  $C_{IN} = 0.1$   $\mu\text{F}$  and  $T_A = 25^{\circ}\text{C}$ .)

Symbol	Parameter	Test Conditions	Min	Typ	Max	Unit	
<b>BASIC OPERATION</b>							
$V_{IN\_CLAMP}$	Input Clamping Voltage	$I_{IN} = 10$ mA	-	35	-	V	
$I_Q$	Input Quiescent Current	$V_{IN} = 5$ V, #EN = 0 V	-	80	115	$\mu\text{A}$	
$I_{IN\_Q}$	OVLO Supply Current	OV1 = LOW, OV2 = LOW $V_{IN} = 6.5$ V, $V_{OUT} = 0$ V	-	63	90	$\mu\text{A}$	
$V_{IN\_OVLO}$	Over-Voltage Trip Level	$V_{IN}$ Rising	OV1 = LOW, OV2 = LOW	5.80	5.90	6.00	V
		$V_{IN}$ Falling		5.75			
		$V_{IN}$ Rising	OV1 = HIGH, OV2 = LOW	9.90	10.00	10.10	
		$V_{IN}$ Falling		9.85			
		$V_{IN}$ Rising	OV1 = LOW, OV2 = HIGH	13.72	14.0	14.28	
		$V_{IN}$ Falling		13.52			
		$V_{IN}$ Rising	OV1 = HIGH, OV2 = HIGH	22.54	23.0	23.46	
		$V_{IN}$ Falling		22.34	-	-	
$R_{ON}$	Resistance from $V_{IN}$ to $V_{OUT}$	$V_{IN} = 5$ V, $I_{OUT} = 1$ A, $T_A = 25^{\circ}\text{C}$	-	33	40	m $\Omega$	
$C_{OUT}$	OUT Load Capacitance (Note 2)	$V_{IN} = 5$ V	0.1	-	1000.0	$\mu\text{F}$	
$T_{SDN}$	Thermal Shutdown (Note 2)		-	130	-	$^{\circ}\text{C}$	
$T_{SDN\_HYS}$	Thermal Shutdown Hysteresis (Note 2)		-	20	-	$^{\circ}\text{C}$	

## DIGITAL SIGNALS

$V_{OL}$	#ACOK Output Low Voltage	$I_{SINK} = 1$ mA	-	-	0.4	V
$I_{ACOK}$	#ACOK Leakage Current	$V_{I/O} = 3.0$ V, #ACOK Deasserted	-	-	0.5	$\mu\text{A}$
$V_{IH}$	Input HIGH Voltage (#EN, OVx)	$V_{IN} = 2.5$ V to $V_{OVLO}$	1.2	-	-	V
$V_{IL}$	Input LOW Voltage (#EN, OVx)	$V_{IN} = 2.5$ V to $V_{OVLO}$	-	-	0.5	V
$I_{IN}$	Input Leakage Current (#EN, OVx)	$V_{IN} = 5.0$ V, $V_{OUT} = \text{Float}$	-	-	1.0	$\mu\text{A}$

## TIMING CHARACTERISTICS

$t_{DEB}$	Debounce Time	Time from $2.5$ V < $V_{IN} < V_{IN\_OVLO}$ to $V_{OUT} = 0.1 \times V_{IN}$	10	15	20	ms
$t_{START}$	Soft-Start Time	Time from $V_{IN} = V_{IN\_min}$ to $0.2 \times \#ACOK$ , $V_{IO} = 1.8$ V with $10$ k $\Omega$ Pull-up Resistor	20	30	40	ms
$t_{ON}$	Switch Turn-On Time	$R_L = 100$ $\Omega$ , $C_L = 22$ $\mu\text{F}$ , $V_{OUT}$ from $0.1 \times V_{IN}$ to $0.9 \times V_{IN}$	1	3	5	ms
$t_{OFF}$	Switch Turn-Off Tim (Note 2)	$R_L = 100$ $\Omega$ , $C_L = 0$ $\mu\text{F}$ , $V_{IN} > V_{OVLO}$ to $V_{OUT} = 0.8 \times V_{IN}$	-	-	150	ns

Product parametric performance is indicated in the Electrical Characteristics for the listed test conditions, unless otherwise noted. Product performance may not be indicated by the Electrical Characteristics if operated under different conditions.

2. Guaranteed by characterization and design.

# FPF2290

## TIMING DIAGRAMS

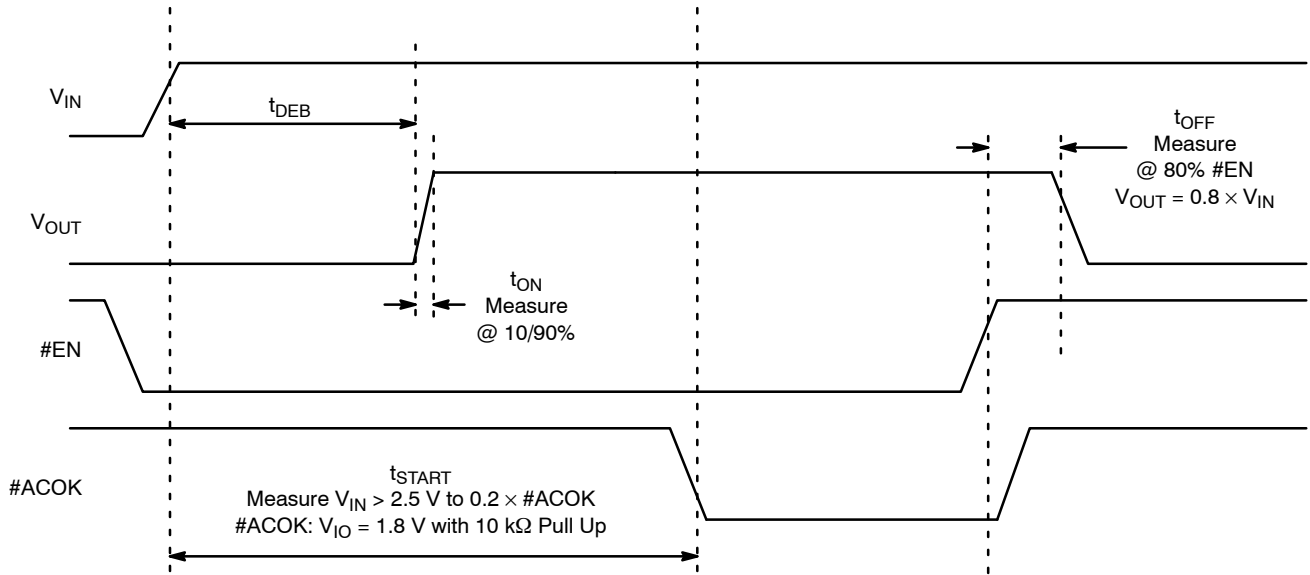


Figure 3. Timing for Power Up and Normal Operation

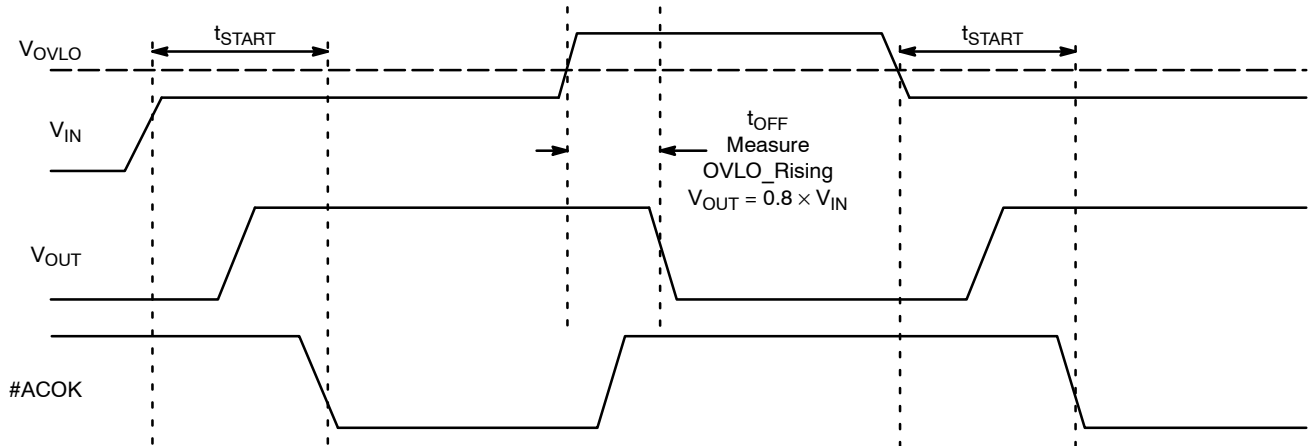


Figure 4. Timing for OVLO Trip

### ORDERING INFORMATION

Part Number	Operating Temperature Range	Top Mark	Package	Shipping†
FPF2290BUCX-F130	-40°C to +85°C	HR	WLCSP12 (Pb-Free/Halide Free)	3000 / Tape & Reel

†For information on tape and reel specifications, including part orientation and tape sizes, please refer to our Tape and Reel Packaging Specifications Brochure, [BRD8011/D](#).

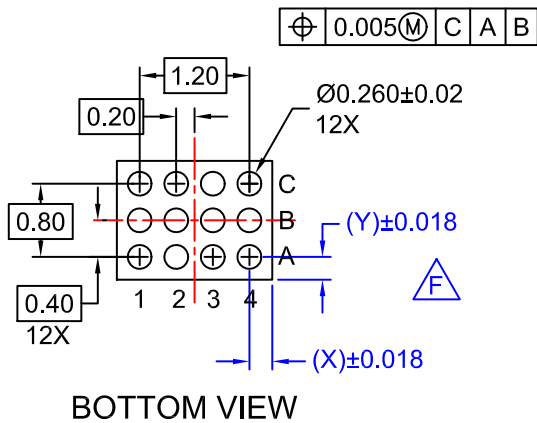
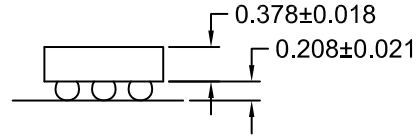
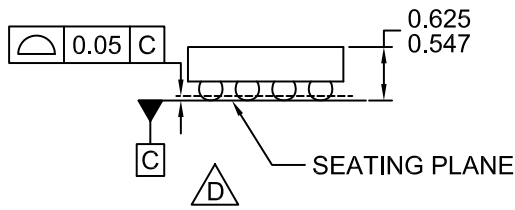
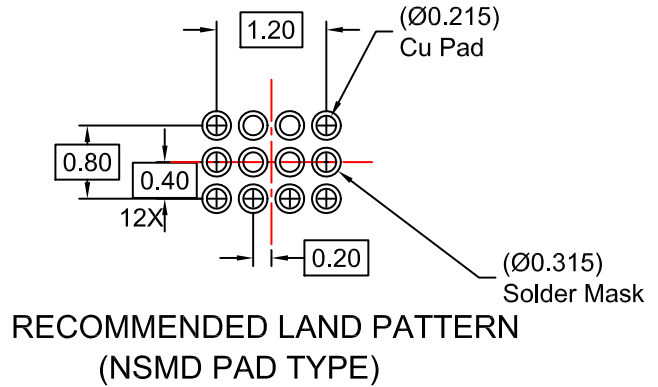
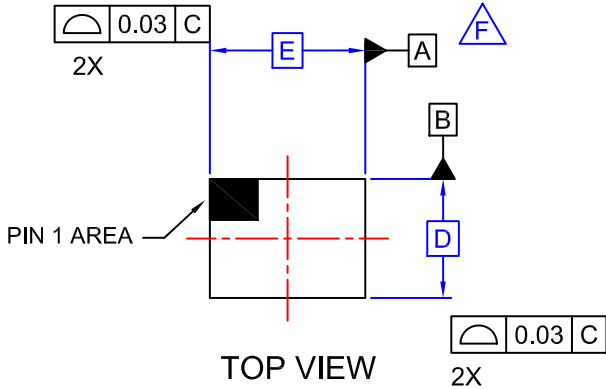
### PRODUCT-SPECIFIC DIMENSIONS

D	E	X	Y
1288 $\mu\text{m} \pm 30 \mu\text{m}$	1828 $\mu\text{m} \pm 30 \mu\text{m}$	314 $\mu\text{m} \pm 18 \mu\text{m}$	244 $\mu\text{m} \pm 18 \mu\text{m}$



**WLCSP12 1.288x1.828x0.586**  
CASE 567QX  
ISSUE O

DATE 31 OCT 2016



**NOTES:**

- A. NO JEDEC REGISTRATION APPLIES.
- B. DIMENSIONS ARE IN MILLIMETERS.
- C. DIMENSIONS AND TOLERANCES PER ASME Y14.5M, 2009.
- D. DATUM C IS DEFINED BY THE SPHERICAL CROWNS OF THE BALLS.
- E. PACKAGE NOMINAL HEIGHT IS 586 MICRONS ±39 MICRONS (547-625 MICRONS).
- F. FOR DIMENSIONS D, E, X, AND Y SEE PRODUCT DATASHEET.

<b>DOCUMENT NUMBER:</b>	<b>98AON13356G</b>	Electronic versions are uncontrolled except when accessed directly from the Document Repository. Printed versions are uncontrolled except when stamped "CONTROLLED COPY" in red.
<b>DESCRIPTION:</b>	<b>WLCSP12 1.288x1.828x0.586</b>	<b>PAGE 1 OF 1</b>

ON Semiconductor and are trademarks of Semiconductor Components Industries, LLC dba ON Semiconductor or its subsidiaries in the United States and/or other countries. ON Semiconductor reserves the right to make changes without further notice to any products herein. ON Semiconductor makes no warranty, representation or guarantee regarding the suitability of its products for any particular purpose, nor does ON Semiconductor assume any liability arising out of the application or use of any product or circuit, and specifically disclaims any and all liability, including without limitation special, consequential or incidental damages. ON Semiconductor does not convey any license under its patent rights nor the rights of others.

**onsemi**, **Onsemi**, and other names, marks, and brands are registered and/or common law trademarks of Semiconductor Components Industries, LLC dba "**onsemi**" or its affiliates and/or subsidiaries in the United States and/or other countries. **onsemi** owns the rights to a number of patents, trademarks, copyrights, trade secrets, and other intellectual property. A listing of **onsemi**'s product/patent coverage may be accessed at [www.onsemi.com/site/pdf/Patent-Marking.pdf](http://www.onsemi.com/site/pdf/Patent-Marking.pdf). **onsemi** reserves the right to make changes at any time to any products or information herein, without notice. The information herein is provided "as-is" and **onsemi** makes no warranty, representation or guarantee regarding the accuracy of the information, product features, availability, functionality, or suitability of its products for any particular purpose, nor does **onsemi** assume any liability arising out of the application or use of any product or circuit, and specifically disclaims any and all liability, including without limitation special, consequential or incidental damages. Buyer is responsible for its products and applications using **onsemi** products, including compliance with all laws, regulations and safety requirements or standards, regardless of any support or applications information provided by **onsemi**. "Typical" parameters which may be provided in **onsemi** data sheets and/or specifications can and do vary in different applications and actual performance may vary over time. All operating parameters, including "Typicals" must be validated for each customer application by customer's technical experts. **onsemi** does not convey any license under any of its intellectual property rights nor the rights of others. **onsemi** products are not designed, intended, or authorized for use as a critical component in life support systems or any FDA Class 3 medical devices or medical devices with a same or similar classification in a foreign jurisdiction or any devices intended for implantation in the human body. Should Buyer purchase or use **onsemi** products for any such unintended or unauthorized application, Buyer shall indemnify and hold **onsemi** and its officers, employees, subsidiaries, affiliates, and distributors harmless against all claims, costs, damages, and expenses, and reasonable attorney fees arising out of, directly or indirectly, any claim of personal injury or death associated with such unintended or unauthorized use, even if such claim alleges that **onsemi** was negligent regarding the design or manufacture of the part. **onsemi** is an Equal Opportunity/Affirmative Action Employer. This literature is subject to all applicable copyright laws and is not for resale in any manner.

## ADDITIONAL INFORMATION

### TECHNICAL PUBLICATIONS:

Technical Library: [www.onsemi.com/design/resources/technical-documentation](http://www.onsemi.com/design/resources/technical-documentation)  
onsemi Website: [www.onsemi.com](http://www.onsemi.com)

### ONLINE SUPPORT: [www.onsemi.com/support](http://www.onsemi.com/support)

For additional information, please contact your local Sales Representative at [www.onsemi.com/support/sales](http://www.onsemi.com/support/sales)