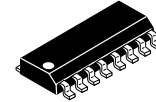


# Interleaved Dual BCM PFC Controllers



SOIC-16, 150 mils  
CASE 751BG-01

## FAN9611

### Description

The FAN9611 interleaved dual Boundary-Conduction-Mode (BCM) Power-Factor-Correction (PFC) controller operates two parallel-connected boost power trains 180° out of phase. Interleaving extends the maximum practical power level of the control technique from about 300 W to greater than 800 W. Unlike the continuous conduction mode (CCM) technique often used at higher power levels, BCM offers inherent zero-current switching of the boost diodes, which permits the use of less expensive diodes without sacrificing efficiency. Furthermore, the input and output filters can be smaller due to ripple current cancellation and effective doubling of the switching frequency.

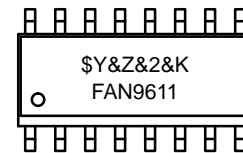
The converters operate with variable frequency, which is a function of the load and the instantaneous input / output voltages. The switching frequency is limited between 16.5 kHz and 525 kHz. The Pulse Width Modulators (PWM) implement voltage-mode control with input voltage feedforward. When configured for PFC applications, the slow voltage regulation loop results in constant on-time operation within a line cycle. This PWM method, combined with the BCM operation of the boost converters, provides automatic power factor correction.

The controller offer bias UVLO of 10 V / 7.5 V, input brownout, over-current, open-feedback, output over-voltage, and redundant latching over-voltage protections. Furthermore, the converters' output power is limited independently of the input RMS voltage. Synchronization between the power stages is maintained under all operating conditions.

### Features

- Sync-Lock Interleaving Technology for 180° Out-of-Phase Synchronization Under All Conditions
- Automatic Phase Disable at Light Load
- Dead-Phase Detect Protection
- 2.0 A Sink, 1.0 A Source, High-Current Gate Drivers
- High Power Factor, Low Total Harmonic Distortion
- Voltage-Mode Control with  $(V_{IN})^2$  Feedforward
- Closed-Loop Soft-Start with User-Programmable Soft-Start Time for Reduced Overshoot
- Minimum Restart Frequency to Avoid Audible Noise
- Maximum Switching Frequency Clamp
- Brownout Protection with Soft Recovery
- Non-Latching OVP on FB Pin and Latching Second-Level Protection on OVP Pin
- Open-Feedback Protection
- Power-Limit and Current Protection for Each Phase
- Low Startup Current of 80  $\mu$ A Typical
- Works with DC and 50 Hz to 400 Hz AC Inputs

### MARKING DIAGRAM



- \$Y = Logo
- &Z = Assembly Plant Code
- &2 = 2-Digit Date Code
- &K = 2-Digits Lot Run Traceability Code
- FAN9611 = Device Code

### ORDERING INFORMATION

Device	Package	Shipping†
FAN9611MX	16-Lead, Small Outline Integrated Circuit (SOIC) (Pb-Free)	2,500 / Tape & Reel

†For information on tape and reel specifications, including part orientation and tape sizes, please refer to our Tape and Reel Packaging Specifications Brochure, BRD8011/D.

1. This device passed wave soldering test by JESD22A-111.

### Applications

- 100 – 1000 W AC-DC Power Supplies
- Large Screen LCD-TV, PDP-TV, RP-TV Power
- High-Efficiency Desktop and Server Power Supplies
- Networking and Telecom Power Supplies
- Solar Micro Inverters

### Related Resources

- Evaluation Board: [FEBFAN9611\\_S01U300A](#)

# FAN9611

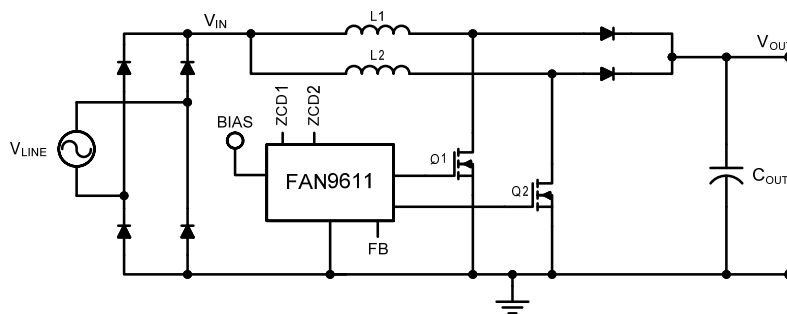


Figure 1. Simplified Application Diagram

## PACKAGE OUTLINES

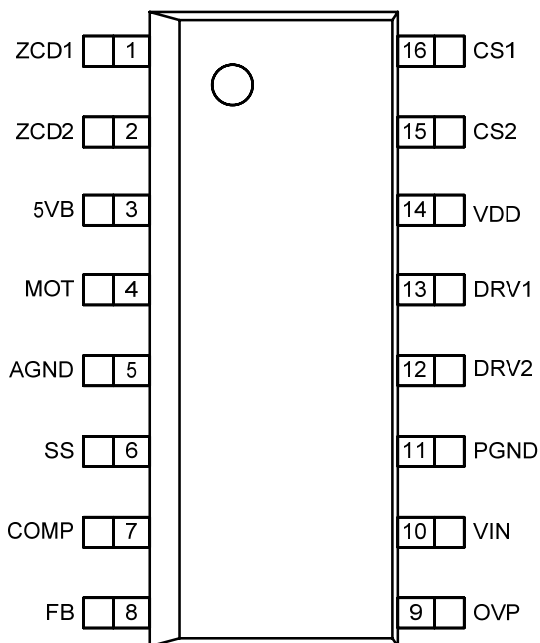


Figure 2. SOIC-16 (Top View)

## THERMAL RESISTANCE TABLE

Package	Suffix	Thermal Resistance	
		$\Theta_{JL}$ (Note 2)	$\Theta_{JA}$ (Note 3)
16-Lead SOIC	M	35°C/W	50 – 120°C/W (Note 4)

2. Typical  $\Theta_{JL}$  is specified from semiconductor junction to lead.

3. Typical  $\Theta_{JA}$  is dependent on the PCB design and operating conditions, such as air flow. The range of values covers a variety of operating conditions utilizing natural convection with no heatsink on the package.

4. This typical range is an estimate; actual values depend on the application.

# FAN9611

## TYPICAL APPLICATION DIAGRAM

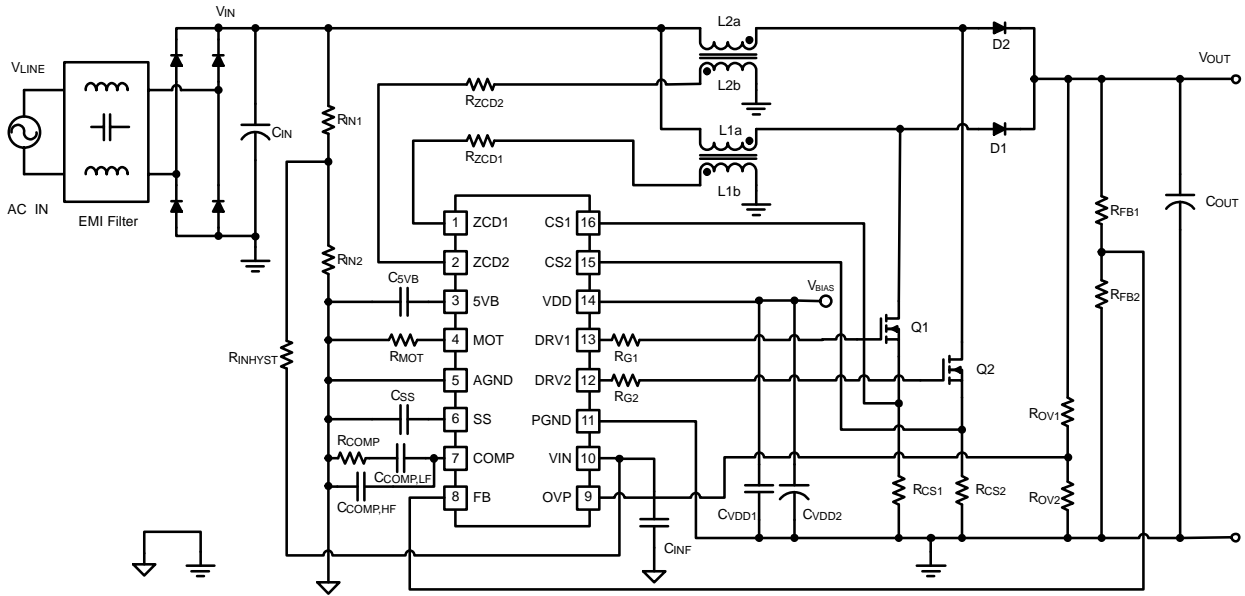


Figure 3. Typical Application Diagram

## BLOCK DIAGRAM

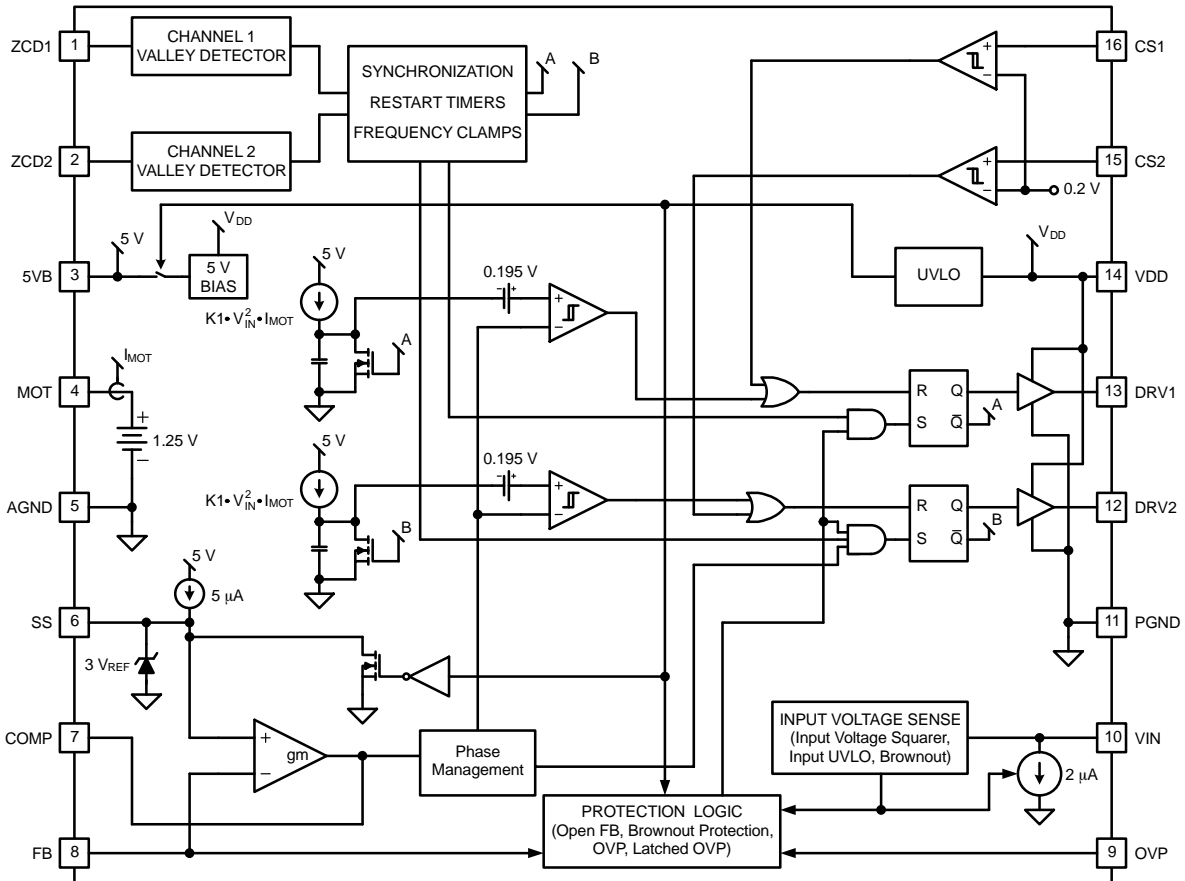


Figure 4. Block Diagram

# FAN9611

## PIN CONFIGURATION

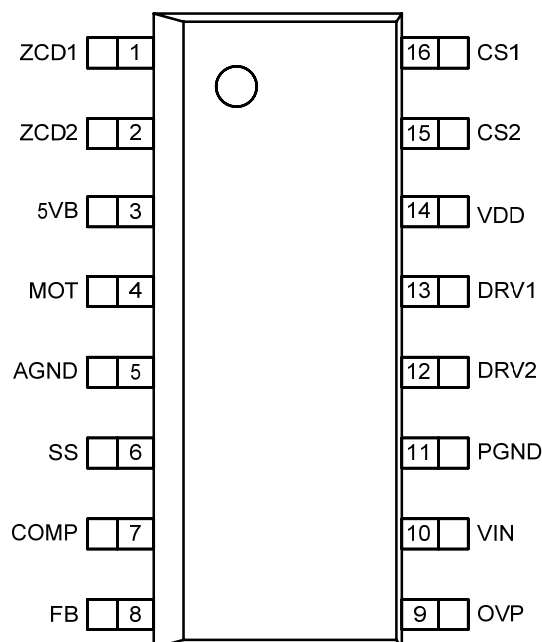


Figure 5. Pin Layout (Top-View)

### PIN DEFINITIONS

Pin No.	Name	Description
1	ZCD1	Zero Current Detector for Phase 1 of the interleaved boost power stage.
2	ZCD2	Zero Current Detector for Phase 2 of the interleaved boost power stage.
3	5VB	5 V Bias. Bypass pin for the internal supply, which powers all control circuitry on the IC.
4	MOT	Maximum On-Time adjust for the individual power stages.
5	AGND	Analog Ground. Reference potential for all setup signals.
6	SS	Soft-Start Capacitor. Connected to the non-inverting input of the error amplifier.
7	COMP	Compensation Network connection to the output of the $g_M$ error amplifier
8	FB	Feedback pin to sense the converter's output voltage; inverting input of the error amplifier.
9	OVP	Output Voltage monitor for the independent, second-level, latched OVP protection.
10	VIN	Input Voltage monitor for brownout protection and input-voltage feedforward.
11	PGND	Power Ground connection.
12	DRV2	Gate Drive Output for Phase 2 of the interleaved boost power stage.
13	DRV1	Gate Drive Output for Phase 1 of the interleaved boost power stage.
14	VDD	External Bias Supply for the IC.
15	CS2	Current Sense Input for Phase 2 of the interleaved boost power stage.
16	CS1	Current Sense Input for Phase 1 of the interleaved boost power stage.

# FAN9611

## ABSOLUTE MAXIMUM RATINGS

Symbol	Parameter	Min	Max	Unit
V <sub>DD</sub>	Supply Voltage to AGND & PGND	-0.3	20.0	V
V <sub>BIAS</sub>	5VB Voltage to AGND & PGND	-0.3	5.5	V
	Voltage On Input Pins to AGND (Except FB Pin)	-0.3	V <sub>BIAS</sub> + 0.3	V
	Voltage On FB Pin (Current Limited)	-0.3	V <sub>DD</sub> + 0.8	V
	Voltage On Output Pins to PGND (DRV1, DRV2)	-0.3	V <sub>DD</sub> + 0.3	V
I <sub>OH</sub> , I <sub>OL</sub>	Gate Drive Peak Output Current (Transient)	-	2.5	A
	Gate Drive Output Current (DC)	-	0.05	A
T <sub>L</sub>	Lead Soldering Temperature (10 Seconds)	-	+260	°C
T <sub>J</sub>	Junction Temperature	-40	+150	°C
T <sub>STG</sub>	Storage Temperature	-65	+150	°C

Stresses exceeding those listed in the Maximum Ratings table may damage the device. If any of these limits are exceeded, device functionality should not be assumed, damage may occur and reliability may be affected.

## RECOMMENDED OPERATING CONDITIONS

Symbol	Parameter	Min	Typ	Max	Unit
V <sub>DD</sub>	Supply Voltage Range	9	12	18	V
V <sub>INS</sub>	Signal Input Voltage	0	-	5	V
I <sub>SNK</sub>	Output Current Sinking (DRV1, DRV2)	1.5	2.0	-	A
I <sub>SRC</sub>	Output Current Sourcing (DRV1, DRV2)	0.8	1.0	-	A
L <sub>MISMATCH</sub>	Boost Inductor Mismatch (Note 5)	-	±5%	±10%	
T <sub>A</sub>	Operating Ambient Temperature	-40	-	+125	°C

Functional operation above the stresses listed in the Recommended Operating Ranges is not implied. Extended exposure to stresses beyond the Recommended Operating Ranges limits may affect device reliability.

5. While the recommended maximum inductor mismatch is ±10% for optimal current sharing and ripple-current cancellation, there is no absolute maximum limit. If the mismatch is greater than ±10%, current sharing is proportionately worse, requiring over-design of the power supply. However, the accurate 180° out-of-phase synchronization is still maintained, providing current cancellation, although its effectiveness is reduced.

# FAN9611

**ELECTRICAL CHARACTERISTICS** (Unless otherwise noted,  $V_{DD} = 12\text{ V}$ ,  $T_J = -40^\circ\text{C}$  to  $+125^\circ\text{C}$ . Currents are defined as positive into the device and negative out of the device.)

Symbol	Parameter	Conditions	Min	Typ	Max	Unit
--------	-----------	------------	-----	-----	-----	------

## SUPPLY

$I_{STARTUP}$	Startup Supply Current	$V_{DD} = V_{ON} - 0.2\text{ V}$	–	80	110	$\mu\text{A}$
$I_{DD}$	Operating Current	Output Not Switching	–	3.7	5.2	$\text{mA}$
$I_{DD\_DYM}$	Dynamic Operating Current (Note 6)	$f_{SW} = 50\text{ kHz}$ ; $C_{LOAD} = 2\text{ nF}$	–	4	6	$\text{mA}$
$V_{ON}$	UVLO Start Threshold	$V_{DD}$ Increasing	9.5	10.0	10.5	$\text{V}$
$V_{OFF}$	UVLO Stop Threshold Voltage	$V_{DD}$ Decreasing	7.0	7.5	8.0	$\text{V}$
$V_{HYS}$	UVLO Hysteresis	$V_{ON} - V_{OFF}$	–	2.5	–	$\text{V}$

## BIAS REGULATOR ( $C_{5VB} = 0.1\ \mu\text{F}$ )

$V_{5VB}$	5VB Output Voltage	$T_A = 25^\circ\text{C}$ ; $I_{LOAD} = 1\text{ mA}$	–	5.0	–	$\text{V}$
		Total Variation Over Line, Load, and Temperature	4.8	–	5.2	
$I_{OUT\_MAX}$	Maximum Output Current		5.0	–	–	$\text{mA}$

## ERROR AMPLIFIER

$V_{EA}$	Voltage Reference	$T_A = 25^\circ\text{C}$	2.95	3.00	3.05	$\text{V}$
		Total Variation Over Line, Load, and Temperature	2.91	–	3.075	
$I_{BIAS}$	Input Bias Current	$V_{FB} = 1\text{ V}$ to $3\text{ V}$ ; $ V_{SS} - V_{FB}  \leq 0.1\text{ V}$	–0.2	–	0.2	$\mu\text{A}$
$I_{OUT\_SRC}$	Output Source Current	$V_{SS} = 3\text{ V}$ ; $V_{FB} = 2.9\text{ V}$	–13.7	–8	–4	$\mu\text{A}$
$I_{OUT\_SINK}$	Output Sink Current	$V_{SS} = 3\text{ V}$ ; $V_{FB} = 3.1\text{ V}$	4	8	12	$\mu\text{A}$
$V_{OH}$	Output High Voltage		4.5	4.7	$V_{5VB}$	$\text{V}$
$V_{OL}$	Output Low Voltage	$I_{SINK} < 100\ \mu\text{A}$	0.0	0.1	0.2	$\text{V}$
$g_M$	Transconductance		50	78	115	$\mu\text{mho}$

## PWM

$V_{RAMP\_OFST}$	PWM Ramp Offset	$T_A = 25^\circ\text{C}$	120	195	270	$\text{mV}$
$t_{ON\_MIN}$	Minimum On-Time	$V_{FB} > V_{SS}$	–	–	0	$\mu\text{s}$

## MAXIMUM ON-TIME

$V_{MOT}$	Maximum On-Time Voltage	$R = 125\text{ k}\Omega$	1.16	1.25	1.30	$\text{V}$
$t_{ON\_MAX}$	Maximum On-Time	$R = 125\text{ k}\Omega$ ; $V_{VIN} = 2.5\text{ V}$ ; $V_{COMP} > 4.5\text{ V}$ ; $T_A = 25^\circ\text{C}$	3.4	5.0	6.6	$\mu\text{s}$

## RESTART TIMER (Each Channel)

$f_{SW\_MIN}$	Minimum Switching Frequency	$V_{FB} > V_{PWM\_OFFSET}$	12.5	16.5	20.0	$\text{kHz}$
---------------	-----------------------------	----------------------------	------	------	------	--------------

## FREQUENCY CLAMP (Each Channel)

$f_{SW\_MAX}$	Maximum Switching Frequency (Note 6)		400	525	630	$\text{kHz}$
---------------	--------------------------------------	--	-----	-----	-----	--------------

## CURRENT SENSE

$V_{CS}$	CS Input Threshold Voltage Limit		0.19	0.21	0.23	$\text{V}$
$I_{CS}$	CS Input Current	$V_{CSX} = 0\text{ V}$ to $1\text{ V}$	–0.2	–	0.2	$\mu\text{A}$
$t_{CS\_DELAY}$	CS to Output Delay	CS Stepped from $0\text{ V}$ to $5\text{ V}$	–	85	100	$\text{ns}$

## ZERO CURRENT DETECTION

$V_{ZCD\_IN}$	Input Voltage Threshold (Note 6)	$V_{ZCD}$ is Falling	–0.1	0	0.1	$\text{V}$
$V_{ZCD\_H}$	Input High Clamp Voltage	$I_{ZCD} = 0.5\text{ mA}$	0.8	1.0	1.2	$\text{V}$
$V_{ZCD\_L}$	Input Low Clamp Voltage	$I_{ZCD} = -0.5\text{ mA}$	–0.7	–0.5	–0.3	$\text{V}$
$I_{ZCD\_SRC}$	Source Current Capability (Note 6)		–	–	1	$\text{mA}$

# FAN9611

**ELECTRICAL CHARACTERISTICS** (Unless otherwise noted,  $V_{DD} = 12\text{ V}$ ,  $T_J = -40^\circ\text{C}$  to  $+125^\circ\text{C}$ . Currents are defined as positive into the device and negative out of the device.) (continued)

Symbol	Parameter	Conditions	Min	Typ	Max	Unit
--------	-----------	------------	-----	-----	-----	------

## ZERO CURRENT DETECTION

$I_{ZCD\_SNK}$	Sink Current Capability (Note 6)		–	–	10	mA
$t_{ZCD\_DLY}$	Turn-On Delay (Note 6)	ZCDx to OUTx	–	180	–	ns

## OUTPUT

$I_{SINK}$	OUTx Sink Current (Note 6)	$V_{OUTx} = V_{DD}/2$ ; $C_{LOAD} = 0.1\ \mu\text{F}$	–	2.0	–	A
$I_{SOURCE}$	OUTx Source Current (Note 6)	$V_{OUTx} = V_{DD}/2$ ; $C_{LOAD} = 0.1\ \mu\text{F}$	–	1.0	–	A
$t_{RISE}$	Rise Time	$C_{LOAD} = 1\ \text{nF}$ , 10% to 90%	–	10	25	ns
$t_{FALL}$	Fall Time	$C_{LOAD} = 1\ \text{nF}$ , 90% to 10%	–	5	20	ns
$V_{O\_UVLO}$	Output Voltage During UVLO	$V_{DD} = 5\ \text{V}$ ; $I_{OUT} = 100\ \mu\text{A}$	–	–	1	V
$I_{RVS}$	Reverse Current Withstand (Note 6)		–	500	–	mA

## SOFT-START ( $C_{SS} = 0.1\ \mu\text{F}$ )

$I_{SS\_MAX}$	Maximum Soft-Start Current	$V_{COMP} < 3.0\ \text{V}$	–7	–5	–3	$\mu\text{A}$
$I_{SS\_MIN}$	Minimum Soft-Start Current (Note 6)	$V_{COMP} > 4.5\ \text{V}$	–0.40	–0.25	–0.10	$\mu\text{A}$

## INPUT BROWNOUT PROTECTION

$V_{IN\_BO}$	Input Brownout Threshold		0.76	0.925	1.10	V
$I_{VINSNK}$	$V_{IN}$ Sink Current	$V_{VIN} > 1.1\ \text{V}$	–0.2	–	0.2	$\mu\text{A}$
		$V_{VIN} < 0.8\ \text{V}$	1.4	2	2.5	$\mu\text{A}$

## INPUT-VOLTAGE FEEDFORWARD RANGE

$V_{FF\_UL}$	$V_{IN}$ Feedforward Upper Limit (Note 6)		3.1	3.7	4.3	V
$V_{FF\_RATIO}$	$V_{FF\_UL} / V_{IN\_BO}$ (Note 6)		3.6	4.0	4.3	

## PHASE MANAGEMENT

$V_{PH\_DROP}$	Phase Dropping Threshold	$V_{COMP}$ Decreasing, Transition from 2 to 1 Phase, $T_A = 25^\circ\text{C}$	0.66	0.73	0.80	V
$V_{PH\_ADD}$	Phase Adding Threshold	$V_{COMP}$ Increasing, Transition from 1 to 2 Phase, $T_A = 25^\circ\text{C}$	0.86	0.93	1.00	V

## OVER-VOLTAGE PROTECTION USING FB PIN – CYCLE-BY-CYCLE (Input)

$V_{OVPNL}$	Non-Latching OVP Threshold (+8% above $V_{OUT\_NOMINAL}$ )	$T_A = 25^\circ\text{C}$ $DRV1 = DRV2 = 0\ \text{V}$	3.15	3.25	3.35	V
$V_{OVPNL\_HYS}$	OVP Hysteresis	FB Decreasing	–	0.24	–	V

## OVER-VOLTAGE PROTECTION USING OVP PIN – LATCHING (Input)

$V_{OVPLCH}$	Latching OVP Threshold (+15%)	$DRV1 = DRV2 = 0\ \text{V}$	3.36	3.50	3.65	V
--------------	-------------------------------	-----------------------------	------	------	------	---

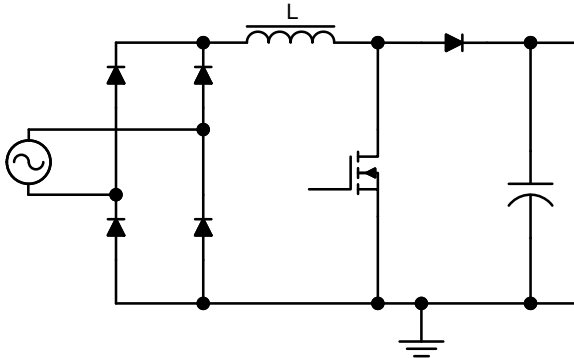
Product parametric performance is indicated in the Electrical Characteristics for the listed test conditions, unless otherwise noted. Product performance may not be indicated by the Electrical Characteristics if operated under different conditions.

6. Not tested in production.

## THEORY OF OPERATION

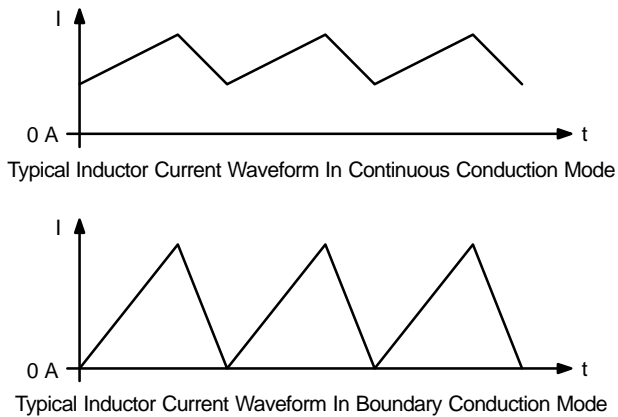
**Boundary Conduction Mode**

The boost converter is the most popular topology for power factor correction in AC-to-DC power supplies. This popularity can be attributed to the continuous input current waveform provided by the boost inductor and to the fact that the boost converter's input voltage range includes 0 V. These fundamental properties make close to unity power factor easier to achieve.



**Figure 6. Basic PFC Boost Converter**

The boost converter can operate in continuous conduction mode (CCM) or in boundary conduction mode (BCM). These two descriptive names refer to the current flowing in the energy storage inductor of the boost power stage.



**Figure 7. CCM vs. BCM Control**

As the names indicate, the current in Continuous Conduction Mode (CCM) is continuous in the inductor; while in Boundary Conduction Mode (BCM), the new switching period is initiated when the inductor current returns to zero.

There are many fundamental differences in CCM and BCM operations and the respective designs of the boost converter.

The FAN9611 utilizes the boundary conduction mode control algorithm. The fundamental concept of this operating mode is that the inductor current starts from zero in each switching period, as shown in the lower waveform in Figure 7. When the power transistor of the boost converter is turned on for a fixed amount of time, the peak inductor current is proportional to the input voltage. Since the current waveform is triangular, the average value in each switching period is also proportional to the input voltage. In the case of a sinusoidal input voltage waveform, the input current of the converter follows the input voltage waveform with very high accuracy and draws a sinusoidal input current from the source. This behavior makes the boost converter in BCM operation an ideal candidate for power factor correction.

This mode of control of the boost converter results in a variable switching frequency. The frequency depends primarily on the selected output voltage, the instantaneous value of the input voltage, the boost inductor value, and the output power delivered to the load. The operating frequency changes as the input voltage follows the sinusoidal input voltage waveform. The lowest frequency operation corresponds to the peak of the sine waveform at the input of the boost converter. Even larger frequency variation can be observed as the output power of the converter changes, with maximum output power resulting in the lowest operating frequency. Theoretically, under zero-load condition, the operating frequency of the boost converter would approach infinity. In practice, there are natural limits to the highest switching frequency. One such limiting factor is the resonance between the boost inductor and the parasitic capacitances of the MOSFET, the diode, and the winding of the choke, in every switching cycle.

Another important characteristic of the BCM boost converter is the high ripple current of the boost inductor, which goes from zero to a controlled peak value in every switching period. Accordingly, the power switch is stressed with high peak current. In addition, the high ripple current must be filtered by an EMI filter to meet high-frequency noise regulations enforced for equipment connecting to the mains. The effects usually limit the practical output power level of the converter.



### Interleaving

The FAN9611 control IC is configured to control two boost converters connected in parallel, both operated in boundary conduction mode. In this arrangement, the input and output voltages of the two parallel converters are the same and each converter is designed to process approximately half the total output power.

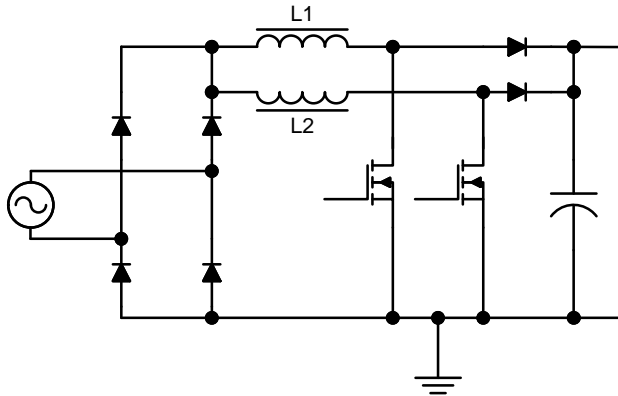


Figure 8. Interleaved PFC Boost Operation

Parallel power processing is penalized by the increased number of power components, but offers significant benefits to keep current and thermal stresses under control and to increase the power handling capability of the otherwise limited BCM PFC control solution. Furthermore, the switches of the two boost converters can be operated 180 degrees out of phase from each other. The control of parallel converters operating 180 degrees out of phase is called interleaving. Interleaving provides considerable ripple current reduction at the input and output terminals of the power supply, which favorably affects the input EMI filter requirements and reduces the high-frequency RMS current of the power supply output capacitor.

There is an obvious difficulty in interleaving two BCM boost converters. Since the converter's operating frequency is influenced by component tolerances in the power stage and in the controller, the two converters operate at different frequencies. Therefore special attention must be paid to ensure that the two converters are locked to 180-degree out-of-phase operation. Consequently, synchronization is a critical function of an interleaved boundary conduction mode PFC controller. It is implemented in the FAN9611 using proprietary and dedicated circuitry called Sync-Lock interleaving technology.

### Voltage Regulation, Voltage Mode Control

The power supply's output voltage is regulated by a negative feedback loop and a pulse width modulator. The negative feedback is provided by an error amplifier that compares the feedback signal at the inverting input to a reference voltage connected to the non-inverting input of the amplifier. Similar to other PFC applications, the error amplifier is compensated with high DC gain for accurate voltage regulation, but very low bandwidth to suppress line

frequency ripple present across the output capacitor of the converter. The line frequency ripple is the result of the constant output power of the converter and the fact that the input power is the product of a sinusoidal current and a sinusoidal voltage thus follows a sine square function. Eliminating the line frequency component from the feedback system is imperative to maintain low total harmonic distortion (THD) in the input current waveform.

The pulse width modulator implements voltage mode control. This control method compares an artificial ramp to the output of the error amplifier to determine the desired on-time of the converter's power transistor to achieve output voltage regulation.

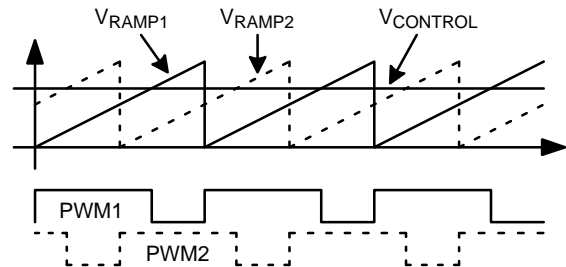


Figure 9. PWM Operation

In FAN9611, there are two PWM sections corresponding to the two parallel power stages. For proper interleaved operation, two independent 180-degree out-of-phase ramps are needed; which necessitates the two pulse width modulators. To ensure that the two converters process the same amount of power, the artificial ramps have the same slope and use the same control signal generated by the error amplifier.

### Input-Voltage Feedforward

Basic voltage-mode control, as described in the previous section, provides satisfactory regulation performance in most cases. One important characteristic of the technique is that input voltage variation to the converter requires a corrective action from the error amplifier to maintain the output at the desired voltage. When the error amplifier has adequate bandwidth, as in most DC-DC applications, it is able to maintain regulation within a tolerable output voltage range during input voltage changes.

On the other hand, when voltage-mode control is used in power factor corrector applications; the error amplifier bandwidth, and its capability to quickly react to input voltage changes, is severely limited. In these cases, the input voltage variation can cause excessive overshoot or droop at the converter output as the input voltage goes up or down.

To overcome this shortcoming of the voltage-mode PWM circuit in PFC applications, input-voltage feedforward is often employed. It can be shown mathematically that a PWM ramp proportional to the square of the input voltage rejects the effect of input voltage variations on the output voltage and eliminates the need of any correction by the error amplifier.

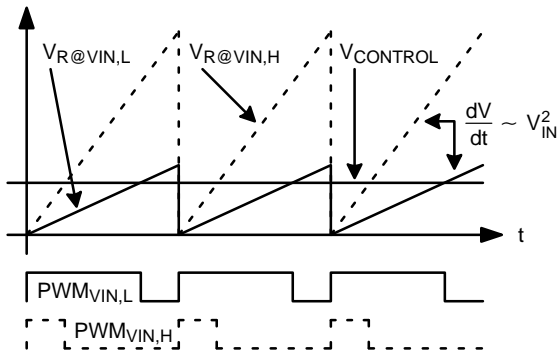


Figure 10. Input-Voltage Feedforward

When the PWM ramp is made proportional to the input voltage squared, the system offers other noteworthy benefits. The first is the input voltage-independent small signal gain of the closed loop power supply, which makes compensation of the voltage regulation loop much easier. The second side benefit is that the output of the error amplifier becomes directly proportional to the input power of the converter. This phenomenon is very significant and it is re-visited in section [Light-Load Operation \(Phase Management\)](#) describing light-load operation.

**Starting a PWM Cycle**

The principle of boundary conduction mode calls for a pulse width modulator able to operate with variable frequency and initiate a switching period whenever the current in the boost inductor reaches zero. Therefore, BCM controllers cannot utilize a fixed frequency oscillator circuit to control the operating frequency. Instead, a zero current detector is used to sense the inductor current and turn on the power switch once the current in the boost inductor reaches zero. This process is facilitated by an auxiliary winding on the boost inductor. The voltage waveform of the auxiliary winding can be used for indirect detection of the zero inductor current condition of the boost inductor. Therefore it should be connected to the zero current detect input, as shown in Figure 11.

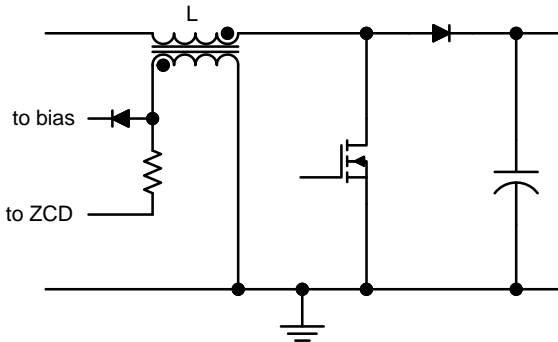


Figure 11. Simple Zero-Current Detection Method

The auxiliary winding can also be used to generate bias for the PFC controller when an independent bias power supply is not present in the system.

At startup condition and in the unlikely case of missing zero current detection, the lack of an oscillator would mean that the converter stops operating. To overcome these situations, a restart timer is employed to kick start the controller and provide the first turn-on command, as shown in Figure 12.

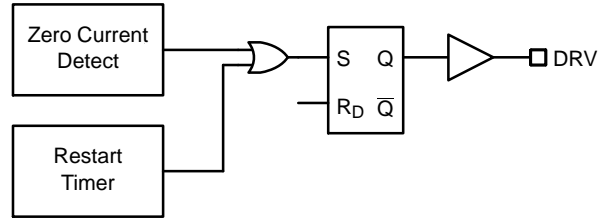


Figure 12. PWM Cycle Start

**Terminating the Conduction Interval**

Terminating the conduction period of the boost transistor in boundary conduction mode controllers is similar to any other pulse width modulator. During normal operation, the PWM comparator turns off the power transistor when the ramp waveform exceeds the control voltage provided by the error amplifier. In the FAN9611 and in similar voltage-mode PWMs, the ramp is a linearly rising waveform at one input of the comparator circuit.

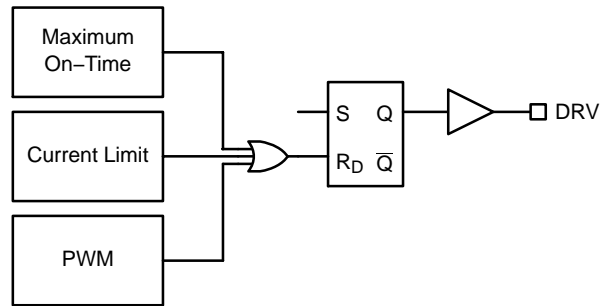


Figure 13. Conduction Interval Termination

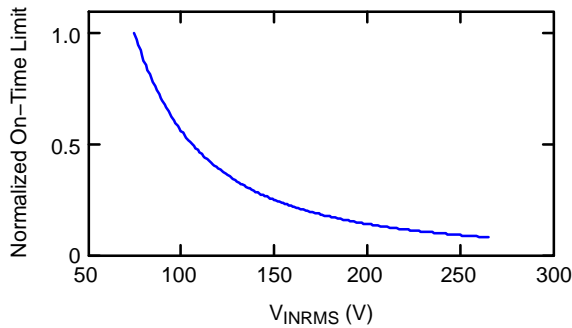
In addition to the PWM comparator, the current limit circuit and a timer circuit limiting the maximum on-time of the boost transistor can also terminate the gate drive pulse of the controller. These functions provide protection for the power switch against excessive current stress.

**Protecting the Power Components**

In general, power converters are designed with adequate margin for reliable operation under all operating conditions. However, it might be difficult to predict dangerous conditions under transient or certain fault situations. Therefore, the FAN9611 contains dedicated protection circuits to monitor the individual peak currents in the boost inductors and in the power transistors. Furthermore, the boost output voltage is sensed by two independent mechanisms to provide over-voltage protection for the power transistors, rectifier diodes, and the output energy storage capacitor of the converter.

**Power Limit**

The architecture and operating principle of FAN9611 also provides inherent input power limiting capability.



**Figure 14. On-Time vs.  $V_{IN\_RMS}$**

When the slope of the PWM ramp is made proportional to the square of the input RMS voltage, the maximum on-time of the boost power switch becomes inversely proportional to the square of  $V_{IN\_RMS}$ , as represented in Figure 14. In boundary-conduction mode, the peak current of the boost transistor is proportional to its on time. Therefore, controlling the maximum pulse width of the gate drive signal according to the curve shown is an effective method to implement an input-voltage independent power limit for the boost PFC.

**Light-Load Operation (Phase Management)**

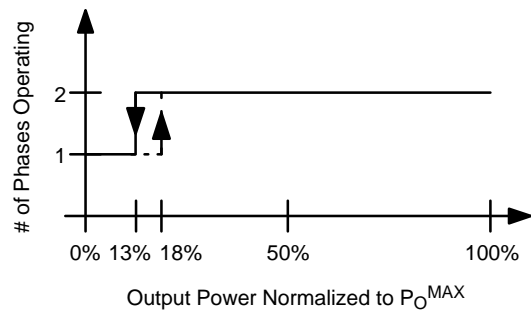
One of the parameters determining the operating frequency of a boundary conduction mode converter is the output power. As the load decreases, lower peak currents are commanded by the pulse width modulator to maintain the output voltage at the desired set point. Lower peak current means shorter on-time for the power transistor and shorter time interval to ramp the inductor current back to zero at any given input voltage. As a result, the operating frequency of the converter increases under light load condition.

As the operating frequency and corresponding switching losses increase, conduction losses diminish at the same time. Therefore, the power losses of the converter are dominated by switching losses at light load. This phenomenon is especially evident in a BCM converter.

To improve light-load efficiency, FAN9611 disables one of the two interleaved boost converters automatically when the output power falls below approximately 13% of the maximum power limit level. By managing the number of phases used at light load, the FAN9611 can maintain high efficiency for a wider load range of the power supply.

Normal interleaved operation of the two boost converters resumes automatically once the output power exceeds approximately 18% of the maximum power limit level of the converter.

By adjusting maximum on-time (using  $R_{MOT}$ ), the phase management thresholds can be adjusted upward, described in the [“Adjusting the Phase-Management Thresholds”](#) section of this datasheet.



**Figure 15. Automatic Phase-Control Operation**

**Brownout Protection with Soft Recovery**

An additional protection function usually offered by PFC ICs is input brownout protection to prevent the converter from operating below a user-defined minimum input voltage level. For this function to work, the input voltage of the converter is monitored. When the voltage falls below the brownout protection threshold, the converter stops working. The output voltage of the boost converter falls until the load stops drawing current from the output capacitor or until the input voltage gets back to its nominal range and operation resumes.

As the output falls, the voltage at the feedback pin falls proportionally, according to the feedback divider ratio. To facilitate soft recovery after a brownout condition, the soft-start capacitor – which is also the reference voltage of the error amplifier – is pulled lower by the feedback network. This effectively pre-conditions the error amplifier to provide closed-loop, soft-start-like behavior during the converter’s recovery from a brownout situation. Once the input voltage goes above the brownout protection threshold, the converter resumes normal operation. The output voltage rises back to the nominal regulation level following the slowly rising voltage across the soft-start capacitor.

**Soft Starting the Converter**

During startup, the boost converter peak charges its output capacitor to the peak value of the input voltage waveform. The final voltage level, where the output is regulated during normal operation, is reached after the converter starts switching. There are two fundamentally different approaches used in PWM controllers to control the startup characteristics of a switched-mode power supply. Both methods use some kind of soft-start mechanism to reduce the potential overshoot of the converter’s output after the desired output voltage level is reached.

The first method is called open-loop soft-start and relies on gradually increasing the current or power limit of the converter during startup. In this case, the voltage error amplifier is typically saturated, commanding maximum current until the output voltage reaches its final value. At that time, the voltage between the error amplifier inputs changes polarity and the amplifier slowly comes out of saturation. While the error amplifier recovers and before it starts controlling the output voltage, the converter operates with full power. Thus, output voltage overshoot is

## FAN9611

unavoidable in converters utilizing the open-loop soft-start scheme.

This method is especially dangerous in power-factor-corrector applications because the error amplifier's bandwidth is typically limited to a very low crossover frequency. The slow response of the amplifier can cause considerable overshoot at the output.

FAN9611 employs closed-loop soft-start where the reference voltage of the error amplifier is slowly increased to its final value. When the current and power limits of the converter are properly taken into consideration, the output voltage of the converter follows the reference voltage. This ensures that the error amplifier stays in regulation during soft start and the output voltage overshoot can be eliminated.

FUNCTIONAL DESCRIPTION

**Detecting Zero Inductor Current (ZCD1, ZCD2)**

Each ZCD pin is internally clamped close to 0 V (GND). Any capacitance on the pin is ineffective in providing any delay in ZCD triggering. The internal sense circuit is a true differentiator to catch the valley of the drain waveforms. The resistor between the auxiliary winding of the boost inductor and the ZCD pin is only used for current limiting. The maximum source current during zero current detection must be limited to 0.5 mA. If the sourcing current is larger than 0.5 mA, the internal detection circuit is saturated and the ZCD circuit can be prematurely triggered before reaching the actual ZCD valley threshold. Source and sink capability of the pin are about 1 mA and 10 mA, respectively. The stronger sinking current capability provides sufficient margin for the higher sinking current required during the conduction time of the rectifier diode.

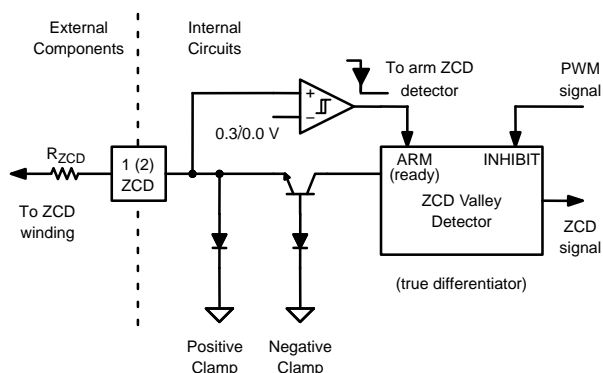


Figure 16. Zero-Current Detect Circuit

The  $R_{ZCD}$  resistor value can be approximated by:

$$R_{ZCD} = \frac{1}{0.5 \text{ mA}} \cdot \frac{V_O}{2} \cdot \frac{N_{AUX}}{N_{BOOST}} \quad (\text{eq. 1})$$

**5 V Bias Rail (5VB)**

This is the bypass capacitor pin for the internal 5 V bias rail powering the control circuitry. The recommended capacitor value is 220 nF. At least a 100 nF, good-quality, high-frequency, ceramic capacitor should be placed in close proximity to the pin.

The 5 V rail is a switched rail. It is actively held LOW when the FAN9611 is in under-voltage lockout. Once the UVLO turn-on threshold is exceeded at the VDD pin, the 5 V rail is turned on, providing a sharp edge that can be used as an indication that the chip is running. Potentially, this behavior can be utilized to control the inrush current limiting circuit.

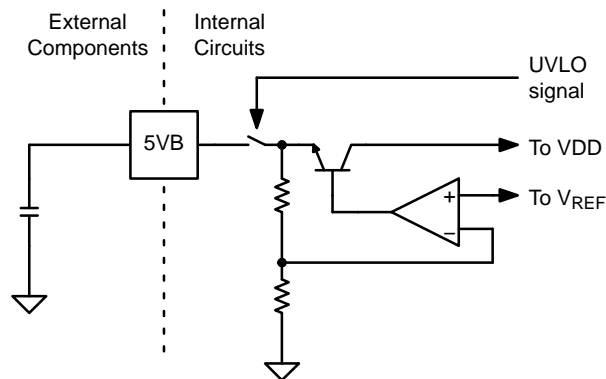


Figure 17. 5 V Bias

**Maximum On-Time Control (MOT)**

Maximum on-time, MOT, (of the boost MOSFET) is set by a resistor to analog ground (AGND). The FAN9611 implements input-voltage feedforward. The maximum on-time is a function of the RMS input voltage. The voltage on the MOT pin is 1.25 V during operation (constant DC voltage). The maximum on-time of the power MOSFETs can be approximated by:

$$t_{ON,MAX} = R_{MOT} \cdot 120 \cdot 10^{-12} \cdot \frac{2.4}{1.25} \cdot \frac{1}{V_{INSNS,PK}^2} \quad (\text{eq. 2})$$

where  $V_{INSNS,PK}$  is the peak of the AC input voltage as measured at the VIN pin (must be divided down, see the VIN pin description).

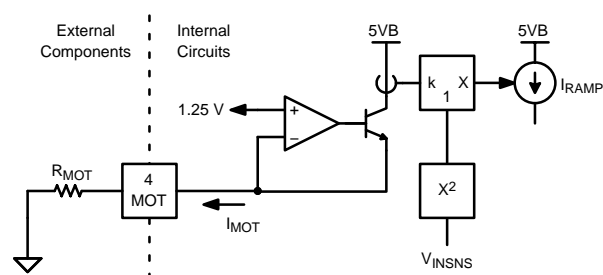


Figure 18. Maximum On-Time Control (MOT)

**Analog Ground (AGND) and Power Ground (PGND)**

Analog ground connection (AGND) is the GND for all control logic biased from the 5 V rail. Internally, the AGND and PGND pins are tied together by two anti-parallel diodes to limit ground bounce difference due to bond wire inductances during the switching actions of the high-current gate drive circuits. It is recommended to connect AGND and PGND pins together with a short, low-impedance trace on the PCB (right under the IC).

PGND is the reference potential (0 V) for the high-current gate-drive circuit. Two bypass capacitors should be connected between the VDD pin and the PGND pin. One is the VDD energy storage capacitor, which provides bias power during startup until the bootstrap power supply comes up. The other capacitor shall be a good-quality ceramic bypass capacitor, as close as possible to PGND and VDD pins to filter the high peak currents of the gate driver circuits. The value of the ceramic bypass capacitor is a strong function of the gate charge requirement of the power MOSFETs and its recommended value is between 1  $\mu\text{F}$  and 4.7  $\mu\text{F}$  to ensure proper operation.

### Soft-Start (SS)

Soft-start is programmed with a capacitor between the SS pin and AGND. This is the non-inverting input of the transconductance ( $g_M$ ) error amplifier.

At startup, the soft-start capacitor is quickly pre-charged to a voltage approximately 0.5 V below the voltage on the feedback pin (FB) to minimize startup delay. Then a 5  $\mu\text{A}$  current source takes over and charges the soft-start capacitor slowly, ramping up the voltage reference of the error amplifier. By ramping up the reference slowly, the voltage regulation loop can stay closed, actively controlling the output voltage during startup. While the SS capacitor is charging, the output of the error amplifier is monitored. In case the error voltage (COMP) ever exceeds 3.5 V, indicating that the voltage loop is close to saturation, the 5  $\mu\text{A}$  soft-start current is reduced. Therefore, the soft start is automatically extended to reduce the current needed to charge the output capacitor, reducing the output power during startup. This mechanism is integrated to prevent the voltage loop from saturation. The charge current of the soft-start capacitor can be reduced from the initial 5  $\mu\text{A}$  to as low as 0.5  $\mu\text{A}$  minimum.

In addition to modulating the soft-start current into the SS capacitor, the SS pin is clamped 0.2 V above the FB pin. This is useful in preventing the SS capacitor from running away from the FB pin and defeating the closed-loop soft-start. During the zero crossing of the input source waveform, the input power is almost zero and the output voltage can not be raised. Therefore the FB voltage stays flat or even decays while the SS voltage keeps rising. This is a problem if closed-loop soft-start should be maintained. By clamping the SS voltage to the FB pin, this problem can be mitigated.

Furthermore, during brownout condition, the output voltage of the converter might fall, which is reflected at the FB pin. When FB voltage goes 0.5 V below the voltage on the SS pin, it starts discharging the soft-start capacitor. The soft-start capacitor remains 0.5 V above the FB voltage. When the brownout condition is over, the converter returns to normal operation gracefully, following the slow ramp up of the soft-start capacitor at the non-inverting input of the error amplifier.

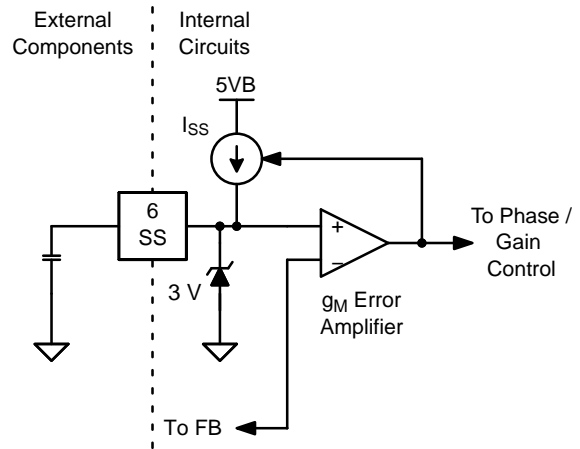


Figure 19. Soft-Start Programming

### Error Amplifier Compensation (COMP)

COMP pin is the output of the error amplifier. The voltage loop is compensated by a combination of  $R_S$  and  $C_S$  to AGND at this pin. The control range of the error amplifier is between 0.195 V and 4.3 V. When the COMP voltage is below about 0.195 V, the PWM circuit skips pulses. Above 4.3 V, the maximum on-time limit terminates the conduction of the boost switches.

Due to the input-voltage feedforward, the output of the error amplifier is proportional to the input power of the converter, independent of the input voltage. In addition, also due to the input-voltage feedforward, the maximum power capability of the converter and the loop gain is independent of the input voltage. The controller's phase-management circuit monitors the error amplifier output and switches to single-phase operation when the COMP voltage falls below 0.73 V and returns to two-phase operation when the error voltage exceeds 0.93 V. These thresholds correspond to about 13% and 18% of the maximum power capability of the design.

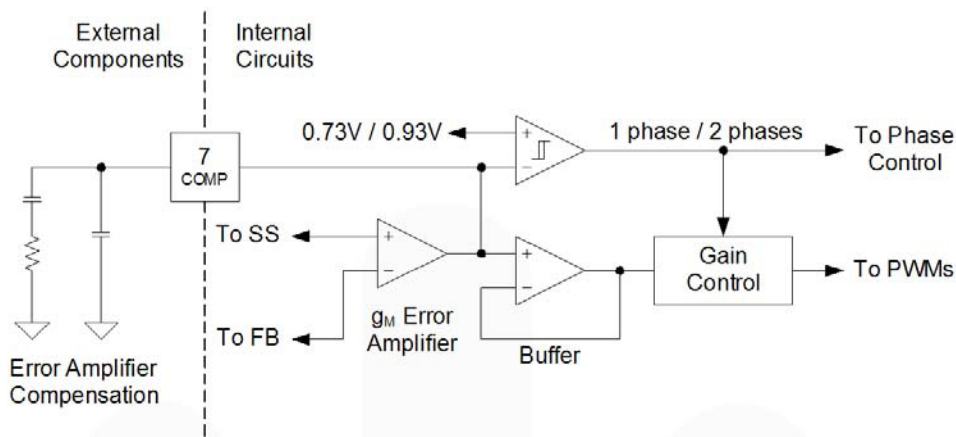


Figure 20. Error Amplifier Compensation Circuitry

**Output Voltage Feedback (FB)**

The feedback pin receives the divided-down output voltage of the converter. In regulation, the FB pin should be 3 V, which is the reference used at the non-inverting input of the error amplifier. Due to the  $g_m$  type error amplifier, the FB pin is always proportional to the output voltage and can be used for over-voltage protection as well. A non-latching over-voltage detection circuit monitors the FB pin and prevents the boost MOSFETs from turning on when the FB voltage exceeds 3.25 V. Operation resumes automatically when the FB voltage returns to its nominal 3 V level.

The open feedback detection circuit is also connected to the FB pin. Since the output of the boost converter is charged to the peak of the input AC voltage when power is applied to the power supply, the detection circuit monitors the presence of this voltage. If the FB pin is below 0.5 V, which would indicate a missing feedback divider (or wrong value causing dangerously-high regulation voltage), the FAN9611 does not send out gate drive signals to the boost transistors.

**Secondary Output Voltage Sense (OVP)**

A second-level latching over-voltage protection can be implemented using the OVP pin of the controller. The threshold of this circuit is set to 3.5 V. There are two ways to program the secondary OVP.

Option 1, as shown in Figure 22, is to connect the OVP pin to the FB pin. In addition to the standard non-latching OVP (set at ~8%), this configuration provides a second OVP protection (set at ~15%), which is latched.

In the case where redundant over-voltage protection is preferred (also called double-OVP protection), a second separate divider from the output voltage can be used, as shown by Option 2 in Figure 22. In this case, the latching OVP protection level can be independently established below or above the non-latching OVP threshold, which is based on the feedback voltage (at the FB pin).

If latching OVP protection is not desired at all, the OVP pin should be grounded (Option 3).

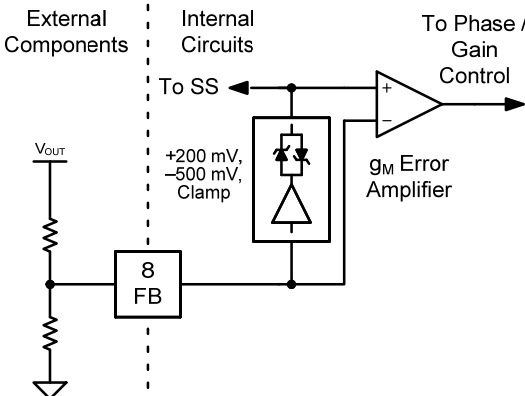


Figure 21. Output-Voltage Feedback Circuit

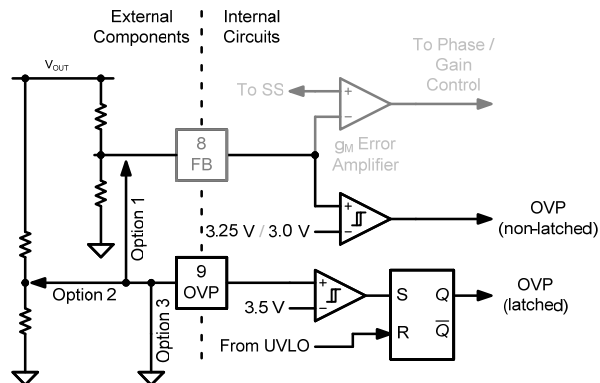


Figure 22. Secondary Over-Voltage Protection Circuit

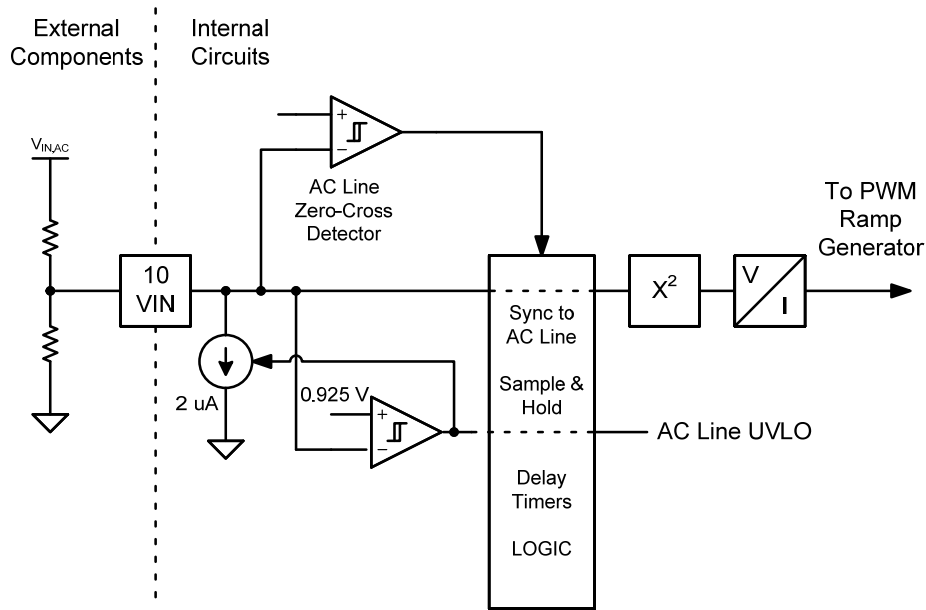
**Input Voltage Sensing ( $V_{IN}$ )**

The input AC voltage is sensed at the VIN pin. The input voltage is used in two functions: input under-voltage lockout (brownout protection), and input voltage feedforward in the PWM control circuit. All the functions require the RMS value of the input voltage waveform. Since the RMS value of the AC input voltage is directly proportional to its peak, it is sufficient to find the peak instead of the more complicated and slower method of integrating the input voltage over a half line cycle. The internal circuit of the VIN pin works with peak detection of the input AC waveforms. One of the important benefits of this approach is that the peak indicates the correct RMS value even at no load when the HF filter capacitor at the input side of the boost converter is not discharged around the zero crossing of the line waveform. Another notable benefit is that during line transients, when the peak exceeds the previously measured value, the input-voltage feedforward circuit can react immediately, without waiting for a valid integral value at the end of the half line period. Furthermore, lack of zero crossing detection could fool the integrator

while the peak detector works properly during light-load operation.

The valid range for the peak of the AC input is between approximately 0.925 V and 3.7 V. This range is optimized for universal input voltage range of operation. If the peak of the sense voltage remains below the 0.925 V threshold, input under-voltage or brownout condition is declared and the FAN9611 stops operating. When the  $V_{IN}$  voltage exceeds 3.7 V, the FAN9611 input voltage sense circuit saturates and the feedforward circuit is not able to follow the input any higher. Consequently, the slope of the PWM ramp remains constant corresponding to the  $V_{IN} = 3.7$  V level amplitude for any  $V_{IN}$  voltage above 3.7 V.

The input voltage is measured by a tracking analog-to-digital converter, which keeps the highest value (peak voltage) of the input voltage waveform. Once a measurement is taken, the converter tracks the input for at least 12 ms before a new value is taken. This delay ensures at least one new peak value is captured before the new value is used.



**Figure 23. Input Voltage Sensing Circuit**

The measured peak value is then used in the following half-line cycle while a new measurement is executed to be used in the next half line cycle. This operation is synchronized to the zero crossing of the line waveform. Since the input voltage measurement is held steady during the line half periods, this technique does not feed any AC ripple into the control loop. If line zero crossing detection is missing, the FAN9611 measures the input voltage in every 32 ms; it can operate from a DC input as well. The following

figures provide detail about the input voltage sensing method of the controller.

As shown in the waveforms, input voltage feedforward is instantaneous when the line voltage increases and has a half line cycle delay when the input voltage decreases. Any increase in input voltage would cause output over voltage due to the slow nature of the voltage regulation loop. This is successfully mitigated by the immediate action of the input-voltage feedforward circuit.



## FAN9611

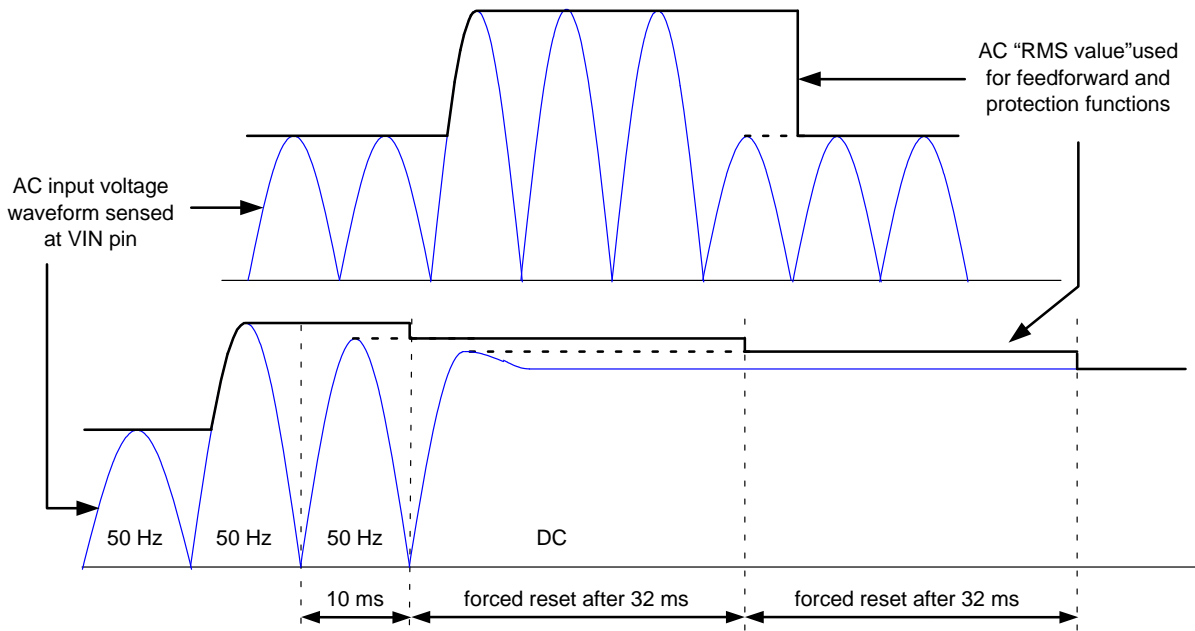


Figure 24. Input Voltage Sensing Waveforms

### Gate Drive Outputs (DRV1; DRV2)

High-current driver outputs DRV1 and DRV2 have the capability to sink a minimum of 2 A and source 1 A. Due to the low impedance of these drivers, the 1 A source current must be actively limited by an external gate resistor. The minimum external gate resistance is:

$$R_{\text{GATE}} = \frac{V_{\text{DD}}}{1 \text{ A}} \quad (\text{eq. 3})$$

To take advantage of the higher sink current capability of the drivers, the gate resistor can be bypassed by a small diode to facilitate faster turn-off of the power MOSFETs. Traditional fast turn-off circuit using a PNP transistor instead of a simple bypass diode can be considered as well.

It is also imperative that the inductance of the gate drive loop is minimized to avoid excessive ringing. If optimum layout is not possible or the controller is placed on a daughter card, it is recommended to use an external driver circuit located near the gate and source terminals of the boost MOSFET transistors. Small gate charge power MOSFETs can be driven by a single 1 A gate driver, such as the FAN3111C; while higher gate charge devices might require higher gate drive current capable devices, such as the single-2 A FAN3100C or the dual-2 A FAN3227C family of drivers.

### MillerDrive™ Gate Drive Technology

FAN9611 output stage incorporates the MillerDrive architecture shown in Figure 25. It is a combination of bipolar and MOS devices which are capable of providing large currents over a wide range of supply voltage and temperature variations. The bipolar devices carry the bulk of the current as OUT swings between 1/3 to 2/3  $V_{\text{DD}}$  and the MOS devices pull the output to the high or low rail.

The purpose of the MillerDrive architecture is to speed switching by providing high current during the Miller plateau region when the gate-drain capacitance of the MOSFET is being charged or discharged as part of the turn-on / turn-off process.

The output pin slew rate is determined by  $V_{\text{DD}}$  voltage and the load on the output. It is not user adjustable, but if a slower rise or fall time at the MOSFET gate is needed, a series resistor can be added.

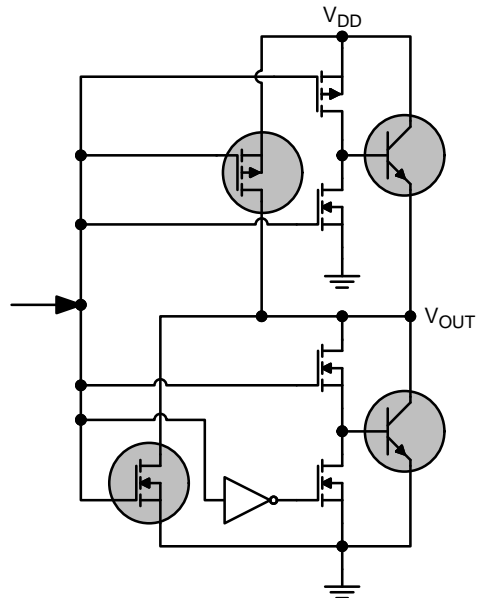


Figure 25. Current-Sense Protection Circuits

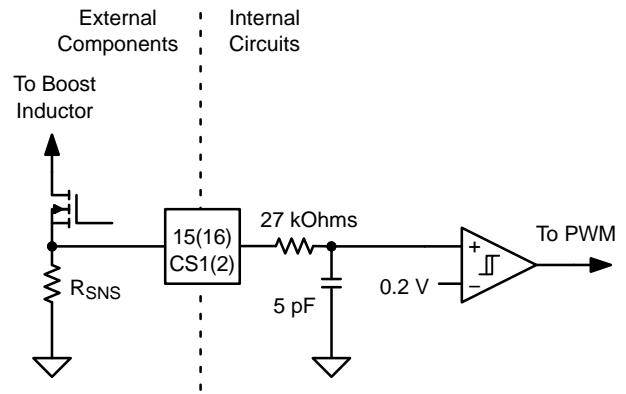
## FAN9611

### Bias Supply ( $V_{DD}$ )

This is the main bias source for the FAN9611. The operating voltage range is between 8 V and 18 V. The  $V_{DD}$  voltage is monitored by the under-voltage lockout (UVLO) circuit. At power-up, the  $V_{DD}$  voltage must exceed 10.0 V ( $\pm 0.5$  V) to enable operation. The FAN9611 stops operating when the  $V_{DD}$  voltage falls below 7.5 V ( $\pm 0.5$  V). See *PGND pin description for important bypass information*.

### Current-Sense Protection (CS1, CS2)

The FAN9611 uses independent over-current protection for each of the power MOSFETs. The current-sense thresholds at the CS1 and CS2 pins are approximately 0.2 V. The current measurements are strictly for protection purposes and are not part of the control algorithm. The pins can be directly connected to the non-grounded end of the current-sense resistors because the usual R-C filters of the leading-edge current spike are integrated in the IC.



**Figure 26. Current-Sense Protection Circuits**

The time constant of the internal filter is approximately:

$$\tau = 27 \text{ k}\Omega \cdot 5 \text{ pF} = 130 \text{ ns}$$

or

$$\omega_P = \frac{1}{2 \cdot \pi \cdot 27 \text{ k}\Omega \cdot 5 \text{ pF}} = 1.2 \text{ MHz} \quad (\text{eq. 4})$$

## APPLICATION INFORMATION

**Synchronization and Timing Functions**

The FAN9611 employs a sophisticated synchronization sub-system. At the heart of the system is a dual-channel switching-frequency detector that measures the switching period of each channel in every switching cycle and locks their operating phase 180 degrees out of phase from each other. The slower operating frequency channel is dominant, but there is no master-slave arrangement. Moreover, as the frequency constantly changes due to the varying input voltage, either channel can be the slower dominant channel.

As opposed to the most common technique, where the phase relationship between the channels is provided by changing the on-time of one of the MOSFETs, the FAN9611 controls the phase relationship by inserting a turn-on delay before the next switching period starts for the faster running phase. As shown in the literature<sup>[1]</sup>, the on-time modulation technique is not stable under all operating conditions, while the off-time modulation (or delaying the turn-on) is unconditionally stable under all operating conditions.

**Restart Timer and Dead-Phase Detect Protection**

The restart timer is an integral part of the Sync-Lock synchronizing circuit. It ensures exact 180-degree out-of-phase operation in restart timer operation. This is an important safety feature. In the case of a non-operating phase due to no ZCD detection, missing gate drive connection (for example no gate resistor), one of the power components failing in an open circuit, or similar errors, the other phase is locked into restart timer operation, preventing it from trying to deliver full power to the load. This is called the dead-phase detect protection.

The restart timer is set to approximately 16.5 kHz, just above the audible frequency range, to avoid any acoustic noise generation.

**Frequency Clamp**

Just as the restart timer, the frequency clamp is integrated into the synchronization and ensures exact 180-degree out-of-phase operation when the operating frequency is limited. This might occur at very light-load operation or near the zero crossing region of the line voltage waveform. Limiting the switching frequency at light load can improve efficiency, but has a negative effect on power factor since the converter also enters true DCM operation. The frequency clamp is set to approximately 525 kHz.

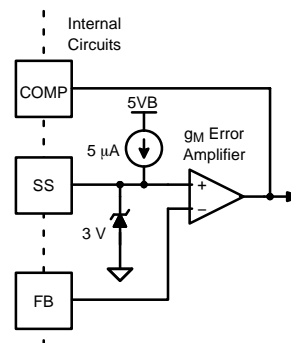
**Adjusting the Output Voltage with Load**

Some applications, the output voltage of the PFC boost converter is decreased at low power levels to boost the light load efficiency of the power supply.

Implementing this function with a circuit external to the FAN9611 is straightforward because the error amplifier reference (the positive input) is available on the soft-start (SS) pin, as shown in Figure 27. In the FAN9611 architecture, the power of the converter is proportional to the voltage on the COMP pin, minus a small offset. The voltage

on the COMP pin is monitored to determine the operating power of the supply. Therefore the voltage on the SS pin can be adjusted lower to achieve the desired lower output voltage.

Several possible implementations to adjust the output voltage of the boost stage at light load are described in the application note [AN-8021](#). It includes the universal output voltage adjust implementation which is modulated by input voltage to avoid the boost converter becoming a peak rectifier at high line and light load.



**Figure 27. FAN9611 Error Amplifier Configuration**

**Adjusting the Output Voltage with Input Voltage**

In some applications, the output voltage of the PFC boost converter is adjusted based on the input voltage only. This boost follower implementations increases the efficiency of the downstream DC-DC converter and therefore of the overall power supply.

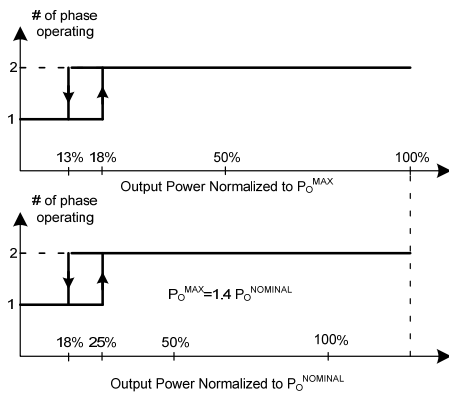
Implementations for both the two-level boost and the linear boost follower (or tracking boost) are described in application note [AN-8021](#).

**Adjusting the Phase-Management Thresholds**

In any power converter, the switching losses become dominant at light load. For an interleaved converter where there are two or more phases, light-load efficiency can be improved by shutting down one of the phases at light load (also known as phase-shedding or phase-dropping operating).

The initial phase-management thresholds are fixed at approximately 13% and 18% of the maximum load power level. This means when the output power reaches 13%, the FAN9611 automatically goes from a two-phase to a single-phase operation (phase shed or phase drop). When the output power comes back up to 18%, the FAN9611 automatically goes from the single-phase to the two-phase operation (phase-add).

The default thresholds can be adjusted upward based on the application requirement; for example, to meet the Energy STAR 5.0 or the Climate Savers Computing efficiency requirements at 20% of the load. The phase drop threshold can be adjusted upward (for example to 25%) by adjusting the maximum on time.

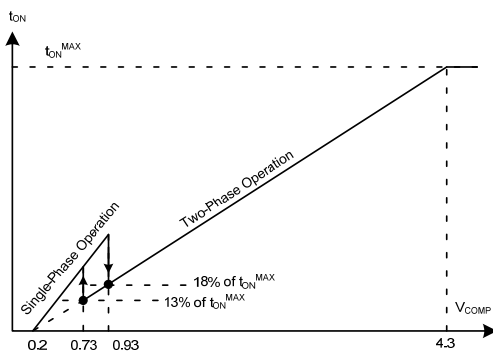


**Figure 28. Adjusting Phase Management Thresholds**

Since the phase management threshold is fixed at 13% and 18% of the maximum power limit level, the actual power management threshold as a percentage of nominal output power can be adjusted by the ratio between nominal power and maximum power limit level as shown in Figure 28. The second plot shows an example where the maximum power limit level is 1.4 times of nominal output power. By adjusting the maximum on-time (using  $R_{MOT}$ ), the phase management thresholds can be adjusted upward.

Phase management is implemented such that the output of the error amplifier ( $V_{COMP}$ ) does not have to change when the system toggles between single-phase and two-phase operations, as shown in Figure 29. The output of the error amplifier is proportional to the output power of the converter independently, whether one or both phases are operating in the power supply. Furthermore, because the maximum on-time limit is applied independently to each pulse-width modulator, the power handling capability of the converter with only one phase running is approximately half of the total output power that can be delivered when both phases are utilized.

Additional details on adjusting phase management are provided in the application note [AN-6086](#).



**Figure 29.  $V_{COMP}$  vs.  $t_{ON}^{MAX}$**

**Disabling the FAN9611**

There are four ways to disable the FAN9611. It is important to understand how the part reacts for the various shutdown procedures.

- a. *Pull the SS Pin to GND.* This method uses the error amplifier to stop the operation of the power supply. By pulling the SS pin to GND, the error amplifier’s non-inverting input is pulled to GND. The amplifier senses that the inverting input (FB pin) is higher than the reference voltage and tries to adjust its output (COMP pin) to make the FB pin equal to the reference at the SS pin. Due to the slow speed of the voltage loop in PFC applications, this might take several line cycles. Thus, it is important to consider that by pulling the SS pin to GND, the power supply is not shut down immediately. Recovery from a shut down follows normal soft-start procedure when the SS pin is released.
- b. *Pull the FB Pin to GND.* By pulling the FB pin below the open feedback protection threshold of approximately 0.5 V, the power supply can be shut down immediately. It is imperative that the FB is pulled below the threshold very quickly since the power supply keeps switching until this threshold is crossed. If the feedback is pulled LOW softly and does not cross the threshold, the power supply tries to deliver maximum power because the FB pin is forced below the reference voltage of the error amplifier on the SS pin. Eventually, as FB is pulled to GND, the SS capacitor is pulled LOW by the internal clamp between the FB and SS pins. The SS pin stays approximately 0.5 V higher than the FB pin itself. Therefore, recovery from a shut down state follows normal soft-start procedure when the FB pin is released as the voltage across the SS capacitor starts ramping from a low value.
- c. *Pulling the COMP Pin to GND.* When the COMP pin is pulled below the PWM ramp offset, approximately 0.195 V, the FAN9611 stops sending gate drive pulses to the power MOSFETs. This condition is similar to pulse skipping under no-load condition. If any load is still present at the output of the boost PFC stage, the output voltage decreases. Consequently, the FB pin decreases and the SS capacitor voltage is pulled LOW by the internal clamp between the FB and SS pins. At that point, the operation and eventual recovery to normal operation is similar to the mechanism described above. If the COMP pin is held LOW for long enough to pull the SS pin LOW, the recovery follows normal soft-start procedure when the COMP pin is released. If the SS capacitor is not pulled LOW as a result of a momentary pull-down of the COMP pin, the recovery is still soft due to the fact that a limited current source is charging the compensation capacitors at the output of the error amplifier. Nevertheless, in this case, output voltage overshoot can occur before the voltage loop enters closed-loop operation and resumes controlling the output voltage again.

d. *Pull the VIN Pin to GND.* Since the VIN sense circuit is configured to ride through a single line cycle dropout test without shutting down the power supply, this method results in a delayed shutdown of the converter. The FAN9611 stops operation approximately 20 ms to 32 ms after the VIN pin is pulled LOW. The delay depends on the phase of the line cycle at which the pull-down occurs. This method triggers the input brownout protection (input under-voltage lockout), which gradually discharges the compensation capacitor. As the output voltage decreases, the FB pin falls, pulling LOW the SS capacitor voltage. Similarly to the shutdown, once the VIN pin is released, operation resumes after several milliseconds of delay needed to determine that the input voltage is above the turn-on threshold. At least one line cycle peak must be detected above the turn-on threshold before operation can resume at the following line voltage zero-crossing. The converter starts following normal soft-start procedure.

### Layout and Connection Guidelines

For high-power applications, two or more PCB layers are recommended to effectively use the ground pattern to minimize the switching noise interference.

The FAN9611 incorporates fast-reacting input circuits, short propagation delays, and strong output stages capable of delivering current peaks over 1.5 A to facilitate fast voltage transition times. Many high-speed power circuits can be susceptible to noise injected from their own output or external sources, possibly causing output re-triggering. These effects can be especially obvious if the circuit is tested in breadboard or non-optimal circuit layouts with long input or output leads. The following guidelines are recommended for all layout designs, but especially strongly for the single-layer PCB designs. (*For example of a 1-layer PCB design, see the Application Note [AN-6086](#).*)

#### General

- Keep high-current output and power ground paths separate from analog input signals and signal ground paths.

- For best results, make connections to all pins as short and direct as possible.

#### Power Ground and Analog Ground

- Power ground (PGND) and analog ground (AGND) should meet at one point only.
- All the control components should be connected to AGND without sharing the trace with PGND.
- The return path for the gate drive current and  $V_{DD}$  capacitor should be connected to the PGND pin.
- Minimize the ground loops between the driver outputs (DRV1, DRV2), MOSFETs, and PGND.
- Adding the by-pass capacitor for noise on the VDD pin is recommended. It should be connected as close to the pin as possible.

#### Gate Drive

- The gate drive pattern should be wide enough to handle 1 A peak current.
- Keep the controller as close to the MOSFETs as possible. This minimizes the length and the loop area (series inductance) of the high-current gate drive traces. The gate drive pattern should be as short as possible to minimize interference.

#### Current Sensing

- Current sensing should be as short as possible.
- To minimize switching noise, current sensing should not make a loop.

#### Input Voltage Sensing ( $V_{IN}$ )

- Since the impedance of voltage divider is large and FAN9611 detects the peak of the line voltage, the VIN pin can be sensitive to the switching noise. The trace connected to this pin should not cross traces with high di/dt to minimize the interference.
- The noise bypass capacitor for  $V_{IN}$  should be connected as close to the pin as possible.

QUICK SETUP GUIDE

The FAN9611 can be configured following the next steps outlined in this section. This Quick Setup Guide refers to the schematic diagram and component references of Figure 32. It uses the equations derived and explained in Application Note [AN-6086](#).

In preparation to calculate the setup component values, the power supply specification must be known. Furthermore, a few power stage components must be pre-calculated before the controller design begins as their values determine the component selections. An Excel design tool is also available to ease calculations.

Table 1.

Description	Name	Value
<b>From Power Supply Specification:</b>		
Minimum AC RMS Input (Turn-On)	V <sub>LINE,ON</sub>	
Minimum AC RMS Input (Turn-Off)	V <sub>LINE,OFF</sub>	
Minimum Line Frequency	f <sub>LINE,MIN</sub>	
Nominal DC Output	V <sub>OUT</sub>	
Output Voltage Ripple (2 · f <sub>LINE</sub> )	V <sub>OUT,RIPPLE</sub>	
Latching Output OVP	V <sub>OUT,LATCH</sub>	
Nominal Output Power (to Load)	P <sub>OUT</sub>	
Desired Hold-Up Time	t <sub>HOLD</sub>	
Minimum DC Output (End of t <sub>HOLD</sub> )	V <sub>OUT,MIN</sub>	
Minimum Switching Frequency	f <sub>SW,MIN</sub>	
Maximum DC Bias	V <sub>DDMAX</sub>	
<b>Pre-Calculated Power Stage Parameters:</b>		
Estimated Conversion Efficiency	η	0.95
Maximum Output Power per Channel	P <sub>MAX,CH</sub>	
Output Capacitance	C <sub>OUT</sub>	
Boost Inductance per Channel	L	
Maximum On-Time per Channel	t <sub>ON,MAX</sub>	
Turns Ratio (N <sub>BOOST</sub> / N <sub>AUX</sub> )	N	10
<b>Other Variables Used During the Calculations:</b>		
Peak Inductor Current	I <sub>L,PK</sub>	
Maximum DC Output Current (to Load)	I <sub>O,MAX</sub>	
<b>Calculated Component Values:</b>		
Zero Current Detect Resistor	R <sub>ZCD1</sub> , R <sub>ZCD2</sub>	
Bypass Capacitor for 5 V Bias	C <sub>5VB</sub>	0.15 μ
Maximum On-Time Set	R <sub>MOT</sub>	
Soft-Start Capacitor	C <sub>SS</sub>	
Compensation Capacitor	C <sub>COMPLF</sub>	
Compensation Resistor	R <sub>COMP</sub>	
Compensation Capacitor	C <sub>COMP,HF</sub>	
Feedback Divider	R <sub>FB1</sub>	
Feedback Divider	R <sub>FB2</sub>	
Over Voltage Sense Divider	R <sub>OV1</sub>	
Over Voltage Sense Divider	R <sub>OV2</sub>	

Table 1. (continued)

Description	Name	Value
Input Voltage Sense Divider	R <sub>IN1</sub>	
Input Voltage Sense Divider	R <sub>IN2</sub>	
Brownout Hysteresis Set	R <sub>INHYST</sub>	
Gate Drive Resistor	R <sub>G1</sub> , R <sub>G2</sub>	
Gate Drive Speed-Up Diode	D <sub>G1</sub> , D <sub>G2</sub>	
Bypass Capacitor for V <sub>DD_HF</sub>	C <sub>VDD1</sub>	2.2 μ
Startup Energy Storage for V <sub>DD</sub>	C <sub>VDD2</sub>	47 μ
Current Sense Resistor	R <sub>CS1</sub> , R <sub>CS2</sub>	

Step 1: Input Voltage Range

FAN9611 utilizes a single pin (VIN) for input voltage sensing. The VIN pin must be above 0.925 V (V<sub>IN\_BO</sub>) to enable operation. The converter turns on at a higher VIN voltage (V<sub>IN\_ON</sub>) set independently by the designer. The input voltage information is used for feedforward in the control algorithm as well. The input-voltage feedforward operates over a four-to-one range from 0.925 V (V<sub>IN\_BO</sub>) to 3.7 V (V<sub>FF\_UL</sub>), as measured at the VIN pin.

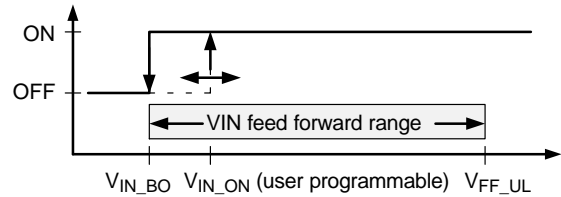


Figure 30. VIN Turn-on and Turn-off Thresholds

At V<sub>IN</sub> voltages above the 3.7 V upper limit (V<sub>FF\_UL</sub>), input voltage feedforward is not possible. The input voltage-sense circuitry saturates at this point and the PWM ramp is modulated any longer. Above V<sub>FF\_UL</sub>, the converter's output power becomes a function of the input voltage as shown in Figure 31. It can also be expressed analytically as:

$$P_{OUT\_NO\_FF} = P_{MAX} \cdot \left(\frac{VIN}{3.7}\right)^2 \quad (\text{eq. 5})$$

where VIN is the voltage at the VIN pin and P<sub>MAX</sub> is the desired maximum output power of the converter which will be maintained constant while the input voltage feedforward circuit is operational.

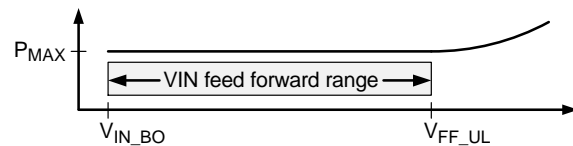


Figure 31. VIN Feedforward Range

As can be seen, the converter's output power capability will follow a square function above V<sub>FF\_UL</sub>.

## FAN9611

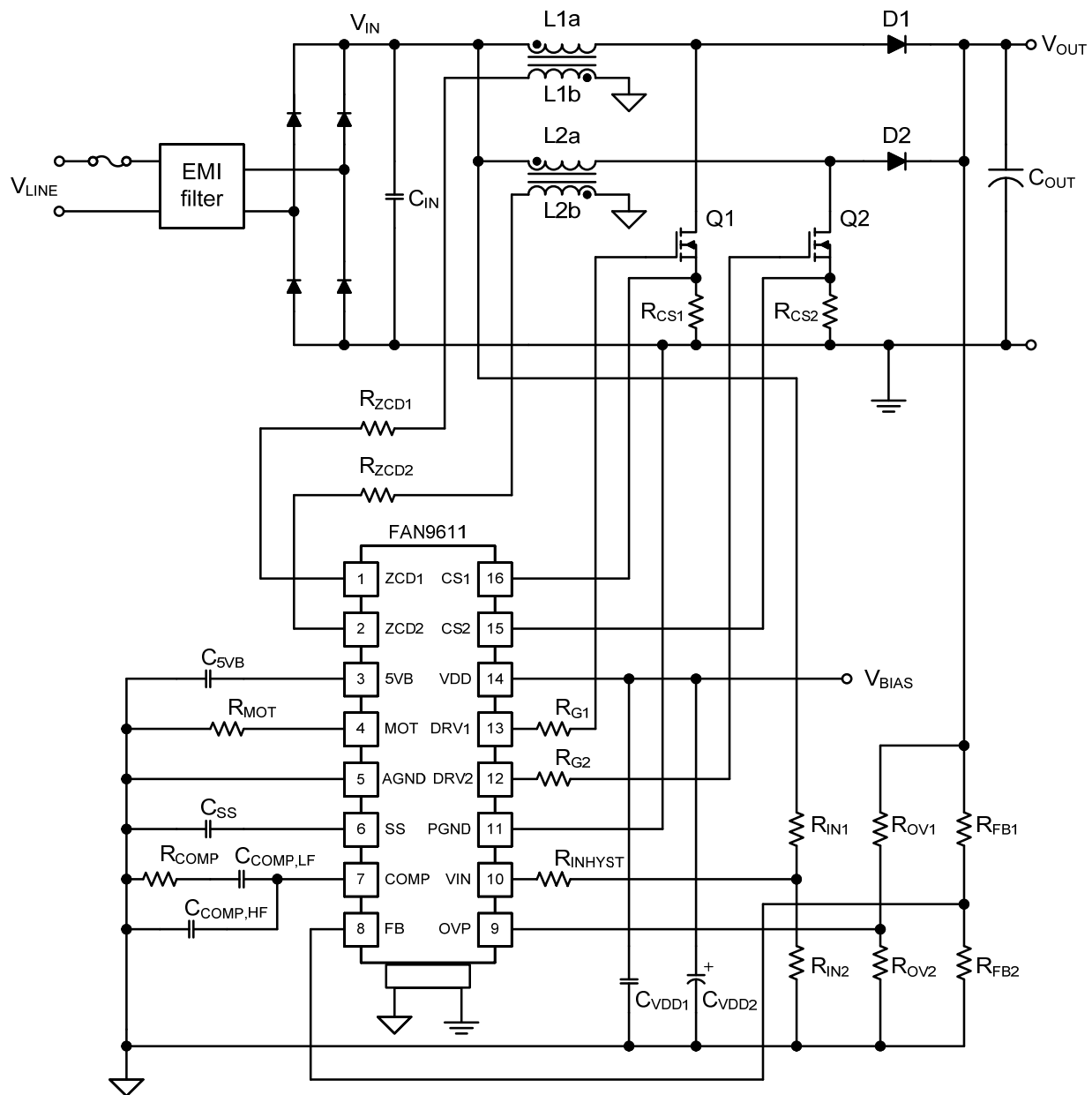


Figure 32. Interleaved BCM PFC Schematic Using FAN9611

### Step 2: Estimated Conversion Efficiency

Use the estimated full-load power conversion efficiency. Typical value for an interleaved BCP PFC converter is in the 0.92 to 0.98 range. The efficiency is in the lower half of the range for low-power applications. Using state-of-the-art semiconductors, good quality ferrite inductors and selecting lower limit for minimum switching frequency positively impacts the efficiency of the system. In general, the value of 0.95 can be used unless a more accurate power budget is available.

### Step 3: Maximum Output Power per Channel

$$P_{\text{MAX,CH}} = 1.2 \cdot \frac{P_{\text{OUT}}}{2} \quad (\text{eq. 6})$$

A margin of 20% has been added to the nominal output power to cover reference inaccuracy, internal component tolerances, inductance mismatch, and current-sense resistor variation to the per-channel power rating.

### Step 4: Output Capacitance

$$C_{\text{OUT(RIPPLE)}} = \frac{P_{\text{OUT}}}{4 \cdot f_{\text{LINE,MIN}} \cdot V_{\text{OUT}} \cdot V_{\text{OUT,RIPLLE}}} \quad (\text{eq. 7})$$

$$C_{\text{OUT(HOLD)}} = \frac{2 \cdot P_{\text{OUT}} \cdot t_{\text{HOLD}}}{\left( V_{\text{OUT}} - \frac{V_{\text{OUT,RIPLLE}}}{2} \right)^2 - V_{\text{OUT,MIN}}^2} \quad (\text{eq. 8})$$

The output capacitance must be calculated by two different methods. The first equation determines the capacitor value based on the allowable ripple voltage at the minimum line frequency. It is important to remember that the scaled version of this ripple is present at the FB pin. The feedback voltage is continuously monitored by the non-latching over voltage protection circuit. Its threshold is about 8% higher the nominal output voltage. To avoid triggering the OVP protection during normal operation,  $V_{OUT, RIPPLE}$  should be limited to less 12% of the nominal output voltage,  $V_{OUT}$ .

The second expression yields the minimum output capacitance based on the required hold-up time based on the power supply specification. Ultimately, the larger of the two values satisfies both design requirements and has to be selected for  $C_{OUT}$ .

**Step 5: Boost Inductance per Channel**

$$L_{LINE, OFF} = \frac{\eta \cdot V_{LINE, OFF}^2 \cdot (V_{OUT} - \sqrt{2} \cdot V_{LINE, OFF})}{2 \cdot f_{SW, MIN} \cdot V_{OUT} \cdot P_{MAX, CH}} \quad (\text{eq. 9})$$

$$L_{LINE, MAX} = \frac{\eta \cdot V_{LINE, MAX}^2 \cdot (V_{OUT} - \sqrt{2} \cdot V_{LINE, MAX})}{2 \cdot f_{SW, MIN} \cdot V_{OUT} \cdot P_{MAX, CH}} \quad (\text{eq. 10})$$

The minimum switching frequency can occur either at the lowest or at the highest input line voltage. Accordingly, two boost inductor values are calculated and the lower of the two inductances must be selected. This L value keeps the minimum operating frequency above  $f_{SW, MIN}$  under all operating conditions.

**Step 6: Maximum On-Time per Channel**

$$t_{ON, MAX} = \frac{2 \cdot L \cdot P_{MAX, CH}}{\eta \cdot V_{LINE, OFF}^2} \quad (\text{eq. 11})$$

**Step 7: Peak Inductor Current per Channel**

$$I_{L, PK} = \frac{\sqrt{2} \cdot V_{LINE, OFF}}{L} \cdot t_{ON, MAX} \quad (\text{eq. 12})$$

**Step 8: Maximum DC Output Current**

$$I_{OUT, MAX} = \frac{2 \cdot P_{MAX, CH}}{V_{OUT}} \quad (\text{eq. 13})$$

**Step 9: Zero Current Detect Resistors**

$$R_{ZCD1} = R_{ZCD2} = \frac{0.5 \cdot V_{OUT}}{N \cdot 0.5 \text{ mA}} \quad (\text{eq. 14})$$

where  $0.5 \cdot V_{OUT}$  is the maximum amplitude of the resonant waveform across the boost inductor during zero current detection; N is the turns ratio of the boost inductor and the auxiliary winding utilized for the zero current detection; and 0.5 mA is the maximum current of the ZCD pin during the zero current detection period.

**Step 10: Maximum On-Time Setting Resistor**

$$R_{MOT} = 4340 \cdot 10^6 \cdot t_{ON, MAX} \quad (\text{eq. 15})$$

where  $R_{MOT}$  should be between 40 kΩ and 130 kΩ.

**Step 11: Output Voltage Setting Resistors (Feedback)**

$$R_{FB2} = \frac{3 \text{ V} \cdot V_{OUT}}{P_{FB}} = \frac{3 \text{ V}}{I_{FB}} \quad (\text{eq. 16})$$

where 3 V is the reference voltage of the error amplifier at its non-inverting input and  $P_{FB}$  or  $I_{FB}$  are selected by the designer. If the power loss associated to the feedback divider is critical to meet stand-by power consumption regulations, it might be beneficial to start the calculation by choosing  $P_{FB}$ . Otherwise, the current of feedback divider,  $I_{FB}$  should be set to approximately 0.4 mA at the desired output voltage set point. This value ensures that parasitic circuit board and pin capacitances do not introduce unwanted filtering effect in the feedback path.

If the feedback divider is used to provide startup power for the FAN9611 (see [AN-6086](#) for implementation details), the following equation is used to calculate  $R_{FB2}$ :

$$R_{FB2} = \frac{3 \text{ V} \cdot [\sqrt{2} \cdot V_{LINE, ON} - (12.5 \text{ V} + 3 \cdot 0.7 \text{ V})]}{0.12 \text{ mA} \cdot V_{OUT}} \quad (\text{eq. 17})$$

where 3 V is the reference voltage of the error amplifier at its non-inverting input; 12.5 V is the controller's UVLO turn-on threshold; 0.12 mA is the worst-case startup current required to start operation; and  $3 \cdot 0.7 \text{ V}$  accounts for the forward voltage drop of three diodes in series of the startup current. Once the value of  $R_{FB2}$  is determined,  $R_{FB1}$  is given by the following formula:

$$R_{FB1} = \left( \frac{V_{OUT}}{3 \text{ V}} - 1 \right) \cdot R_{FB2} \quad (\text{eq. 18})$$

$R_{FB1}$  can be implemented as a series combination of two or three resistors; depending on safety regulations, maximum voltage, and or power rating of the selected resistor type.

**Step 12: Soft-Start Capacitor**

$$C_{SS} = \frac{5 \mu\text{A} \cdot C_{OUT} \cdot (R_{FB1} + R_{FB2})}{0.3 \cdot I_{OUT, MAX} \cdot R_{FB2}} \quad (\text{eq. 19})$$

where 5 μA is the charge current of the soft-start capacitor and  $0.3 \cdot I_{OUT, MAX}$  is the maximum output current charging the output capacitor of the converter during the soft-start process. It is imperative to limit the charge current of the output capacitor to be able to maintain closed-loop soft-start of the converter. The 0.3 factor used in the  $C_{SS}$  equation can prevent output over voltage at the end of the soft-start period and provides sufficient margin to supply current to the load while the output capacitor is charging.



**Step 13: Compensation Components**

$$C_{COMP,LF} = \frac{g_M \cdot I_{OUT,MAX}}{4.1 \text{ V} \cdot C_{OUT} \cdot (2 \cdot \pi \cdot f_0)^2} \cdot \frac{R_{FB2}}{R_{FB1} + R_{FB2}} \quad (\text{eq. 20})$$

where 4.1 V is the control range of the error amplifier and  $f_0$  is the desired voltage loop crossover frequency. It is important to consider that the lowest output ripple frequency limits the voltage loop crossover frequency. In PFC applications, that frequency is two times the AC line frequency. Therefore, the voltage loop bandwidth ( $f_0$ ), is typically in the 5 Hz to 15 Hz range.

To guarantee closed-loop soft-start operation under all conditions, it is recommended that:

$$C_{COMP,HF} < 4 \cdot C_{SS} \quad (\text{eq. 21})$$

This relationship is determined by the ratio between the maximum output current of the  $g_M$  error amplifier to the maximum charge current of the soft-start capacitor. Observing this correlation between the two capacitor values ensures that the compensation capacitor voltage can be adjusted faster than any voltage change taking place across the soft-start capacitor. Therefore, during startup the voltage regulation loop's response to the increasing soft-start voltage is not limited by the finite current capability of the error amplifier.

$$R_{COMP} = \frac{1}{2 \cdot \pi \cdot f_0 \cdot C_{COMP,LF}} \quad (\text{eq. 22})$$

$$C_{COMP,HF} = \frac{1}{2 \cdot \pi \cdot f_{HFP} \cdot R_{COMP}} \quad (\text{eq. 23})$$

where  $f_{HFP}$  is the frequency of a pole implemented in the error amplifier compensation network against high-frequency noise in the feedback loop. The pole should be placed at least a decade higher than  $f_0$  to ensure that it does not interfere with the phase margin of the voltage regulation loop at its crossover frequency. It should also be sufficiently lower than the switching frequency of the converter so noise can be effectively attenuated.

The recommended  $f_{HFP}$  frequency is around 120 Hz in PFC applications.

**Step 14: Over-Voltage Protection Setting (OVP)**

$$R_{OV2} = \frac{3.5 \text{ V} \cdot V_{OUT,LATCH}}{P_{OVP}} \quad (\text{eq. 24})$$

where 3.5 V is the threshold voltage of the OVP comparator and  $P_{OVP}$  is the total dissipation of the resistive divider network. Typical  $P_{OVP}$  power loss is in the 50 mW to 100 mW range.

$$R_{OV1} = \left( \frac{V_{OUT,LATCH}}{3.5 \text{ V}} - 1 \right) \cdot R_{OV2} \quad (\text{eq. 25})$$

$R_{OV1}$  can be implemented as a series combination of two or three resistors; depending on safety regulations, maximum voltage, and or power rating of the selected resistor type.

**Step 15: Input Line Voltage Sense Resistors**

$$R_{IN2} = \frac{0.925 \text{ V} \cdot V_{LINE,MAX}^2}{\sqrt{2} \cdot V_{LINE,MIN} \cdot P_{INSNS}} \quad (\text{eq. 26})$$

where 0.925 V is the brownout protection threshold at the VIN pin.  $V_{LINE,MIN}$  is the minimum input RMS operating voltage. Its divided down level at the VIN pin corresponds to the 0.925 V brownout protection threshold.  $V_{LINE,MAX}$  is the maximum input RMS voltage anticipated in the design and  $P_{INSNS}$  is the total power dissipation of the  $R_{IN1} - R_{IN2}$  divider when the input voltage equals  $V_{LINE,MAX}$ . Typical  $P_{INSNS}$  power loss is in the 50 mW to 100 mW range.

$$R_{IN1} = \left( \frac{\sqrt{2} \cdot V_{LINE,MIN}}{0.925 \text{ V}} - 1 \right) \cdot R_{IN2} \quad (\text{eq. 27})$$

$R_{IN1}$  can be implemented as a series combination of two or three resistors; depending on safety regulations, maximum voltage, and or power rating of the selected resistor type.

$$R_{INHYST} = \frac{\left( \frac{\sqrt{2} \cdot V_{LINE,ON} \cdot R_{IN2}}{R_{IN1} + R_{IN2}} - 0.925 \text{ V} \right)}{2 \mu\text{A}} \quad (\text{eq. 28})$$

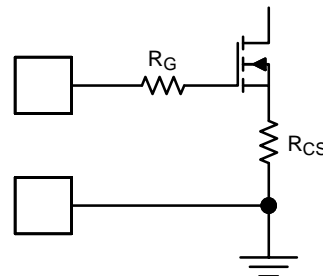
where 0.925 V is the threshold voltage of the line under-voltage lockout comparator and 2  $\mu\text{A}$  is the sink current provided at the VIN pin during line under-voltage (brownout) condition. The sink current, together with the terminating impedance of the VIN pin determines the hysteresis between the turn-on and turn-off thresholds.

**Step 16: Gate Resistors**

It is recommended to place at least a 15  $\Omega$  resistor between each of the gate drive outputs (DRV1, DRV2) and their corresponding power devices. The gate drive resistors have a beneficial effect to limit the current drawn from the  $V_{DD}$  bypass capacitor during the turn-on of the power MOSFETs and to attenuate any potential oscillation in the gate drive circuits.

$$R_{G1} = R_{G2} = \frac{V_{DD,MAX}}{1.0 \text{ A}} \quad (\text{eq. 29})$$

where 1.0 A is the recommended peak value of the gate drive current.



**Figure 33. Recommended Gate Drive Schematic**

A speed-up discharge diode that feeds switching current back into the IC is not recommended.

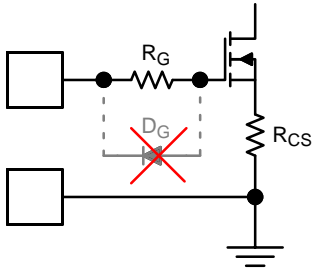


Figure 34. Discharge Diode is Not Recommended

In cases where it is desirable to control the MOSFET turn-on and turn-off transition times independently, the circuit of Figure 35 can be used.

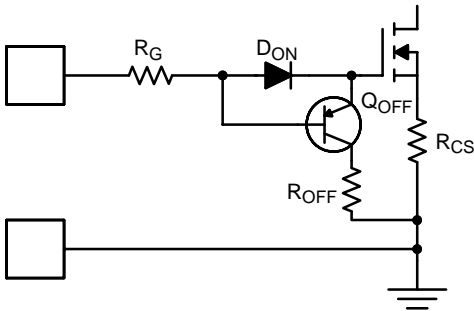


Figure 35. Gate Drive Schematic with Independent Turn-On and Turn-Off

The FAN9611 sources high peak current to the MOSFET gate through  $R_G$  and  $D_{ON}$ , where  $R_G$  is used to control the turn-on transition time. When the MOSFET is commanded to turn off,  $Q_{OFF}$  conducts, shorting the gate to the source, where the turn-off speed can be controlled by the value of  $R_{OFF}$ . Where maximum turn-off time is desired, the value of  $R_{OFF}$  can be  $0 \Omega$ .  $D_{ON}$  serves the dual purpose of

protecting the  $Q_{OFF}$  base-emitter junction and blocking the MOSFET discharge current from sinking back through the FAN9611.

In addition to the high-speed turn-off, another advantage of this circuit is that the FAN9611 does not have to sink the high peak discharge current from the MOSFET, reducing the internal power dissipation in the gate drive circuitry by a factor of two. Instead, the current is discharged locally in a tighter, more controlled loop, minimizing parasitic trace inductance while protecting the FAN9611 from injected disturbances associated with ground bounce and ringing due to high-speed turn-off.

Step 17: Current-Sense Resistors

$$R_{CS1} = R_{CS2} = \frac{0.18 \text{ V}}{I_{L,PK}} \quad (\text{eq. 30})$$

where 0.18 V is the worst-case threshold of the current limit comparator. The size and type of current sense resistors depends on their power dissipation and manufacturing considerations.

$$P_{RCS1} = 1.5 \cdot I_{L,PK}^2 \cdot R_{CS1} \cdot \left( \frac{1}{6} - \frac{4 \cdot \sqrt{2} \cdot V_{LINE,OFF}}{9 \cdot \pi \cdot V_{OUT}} \right) \quad (\text{eq. 31})$$

where the 1.5 factor is used for the worst-case effect of the current-limit threshold variation. When the current-sense resistor is determined, the minimum current-sense threshold must be used to avoid activating over-current protection too early as the power supply approaches full-load condition. The worst-case power dissipation of the current sense resistor occurs when the current-sense threshold is at its maximum value defined in the datasheet. The ratio between the minimum and maximum thresholds squared (since the square of the current determines power dissipation) yields exactly the 1.5 factor used in the calculation.

**TYPICAL PERFORMANCE CHARACTERISTICS – SUPPLY**

(Typical characteristics are provided at  $T_A = 25^\circ\text{C}$  and  $V_{DD} = 12\text{ V}$  unless otherwise noted.)

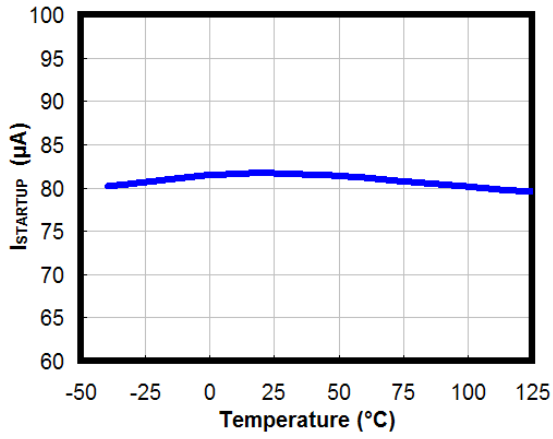


Figure 36.  $I_{STARTUP}$  vs. Temperature

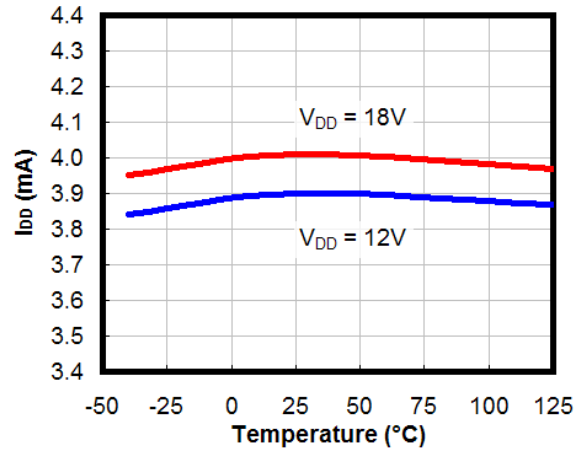


Figure 37. Operating Current vs. Temperature

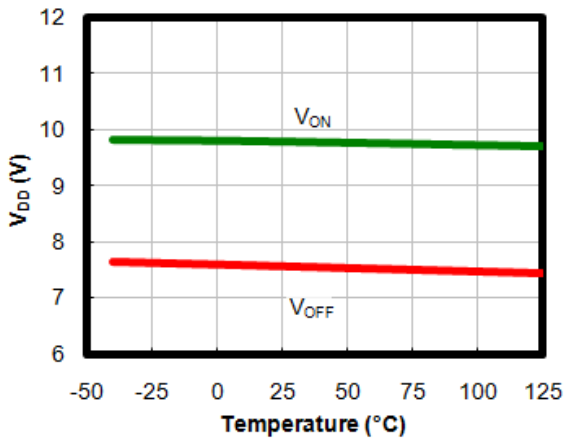


Figure 38. UVLO Thresholds vs. Temperature

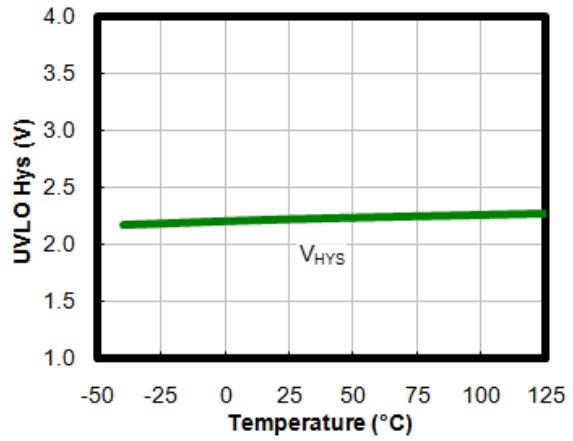


Figure 39. UVLO Hysteresis vs. Temperature

TYPICAL PERFORMANCE CHARACTERISTICS – CONTROL

(Typical characteristics are provided at  $T_A = 25^\circ\text{C}$  and  $V_{DD} = 12\text{ V}$  unless otherwise noted.)

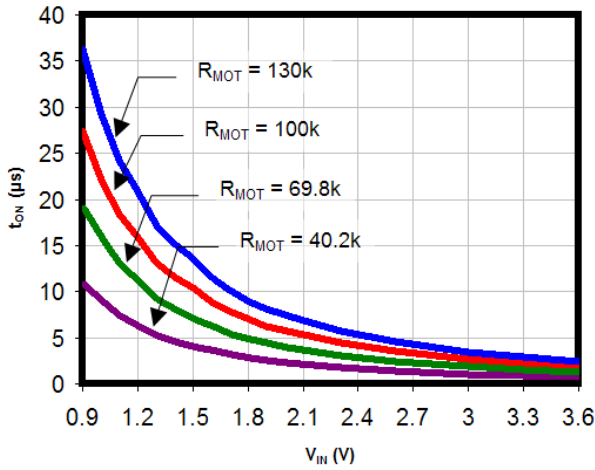


Figure 40. Transfer Function (Maximum On Time vs.  $V_{IN}$ )

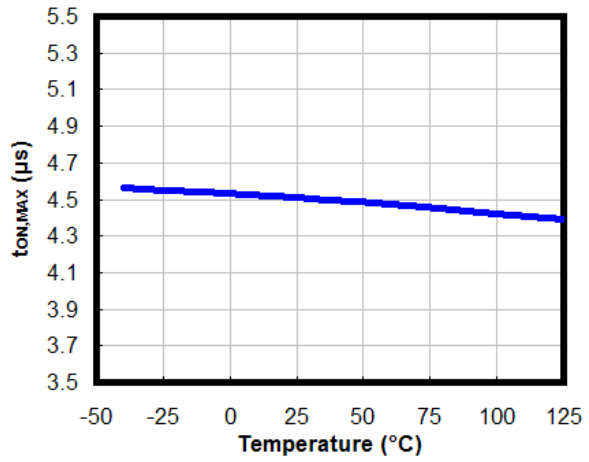


Figure 41. Maximum On Time vs. Temperature

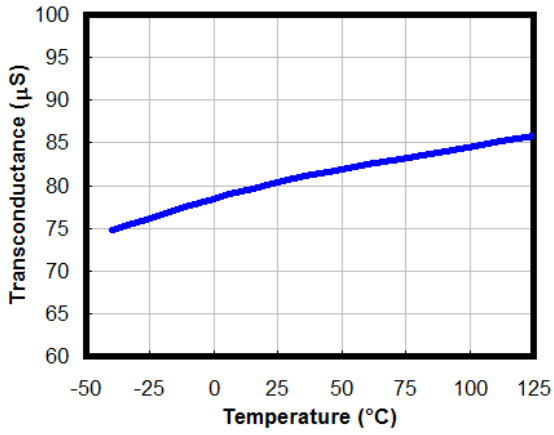


Figure 42. EA Transconductance ( $g_M$ ) vs. Temperature

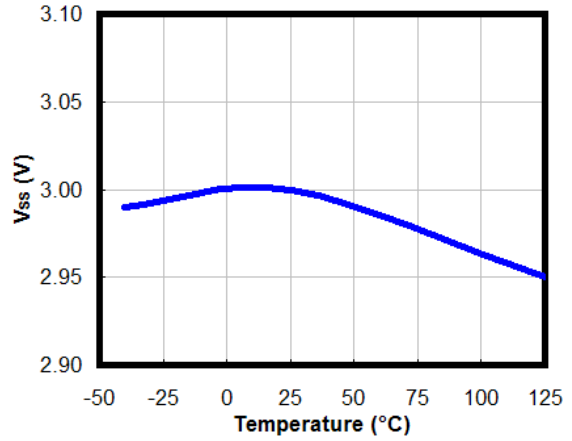


Figure 43. EA Reference vs. Temperature

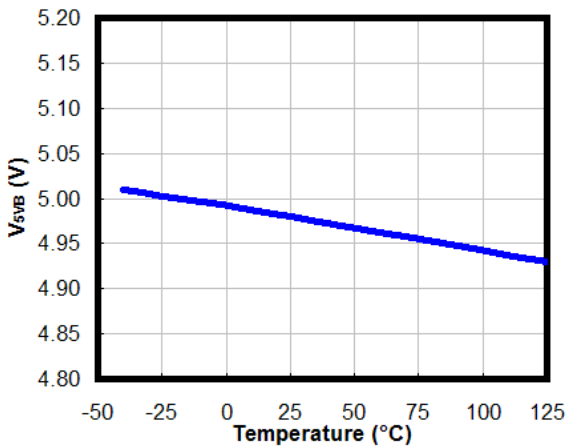


Figure 44. 5 V Reference vs. Temperature

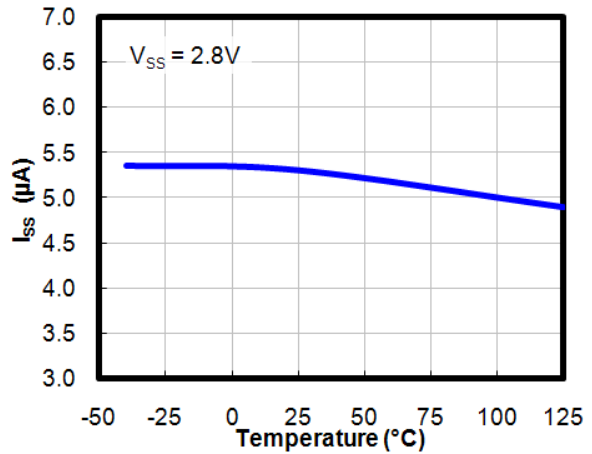


Figure 45. Soft-Start Current vs. Temperature

# FAN9611

## TYPICAL PERFORMANCE CHARACTERISTICS – CONTROL (Continued)

(Typical characteristics are provided at  $T_A = 25^\circ\text{C}$  and  $V_{DD} = 12\text{ V}$  unless otherwise noted.)

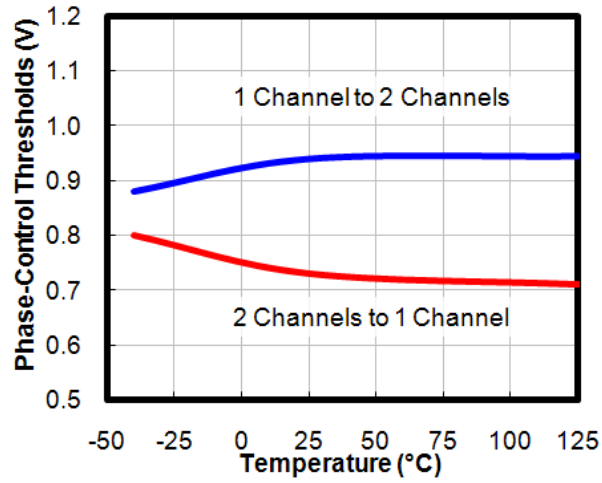


Figure 46. Phase-Control Thresholds vs. Temperature

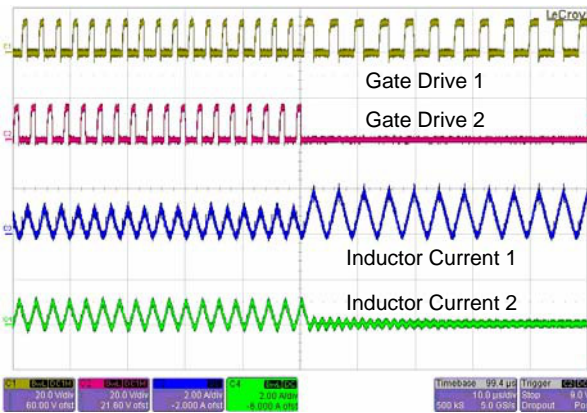


Figure 47. Phase-Dropping Operation

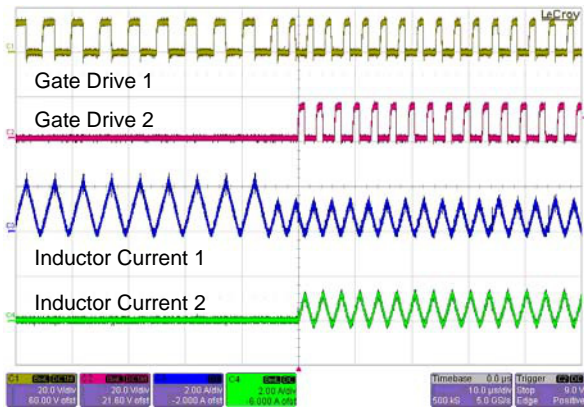


Figure 48. Phase-Adding Operation

**TYPICAL PERFORMANCE CHARACTERISTICS – PROTECTION**

(Typical characteristics are provided at  $T_A = 25^\circ\text{C}$  and  $V_{DD} = 12\text{ V}$  unless otherwise noted.)

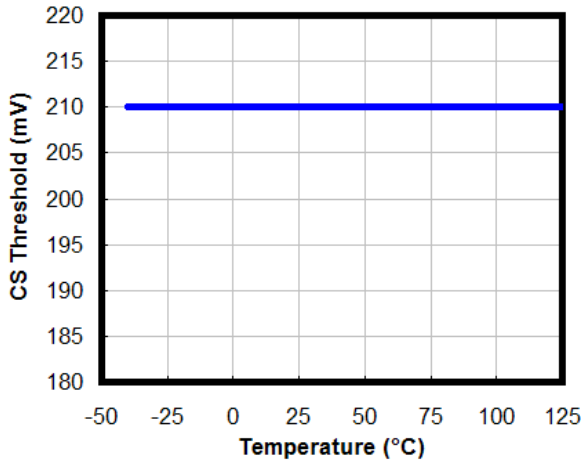


Figure 49. CS Threshold vs. Temperature

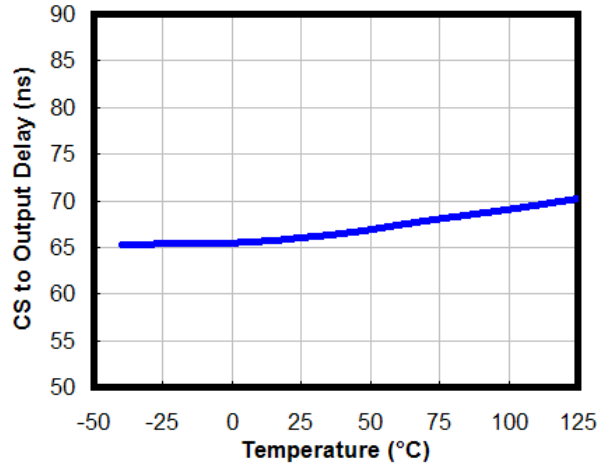


Figure 50. CS to OUT Delay vs. Temperature

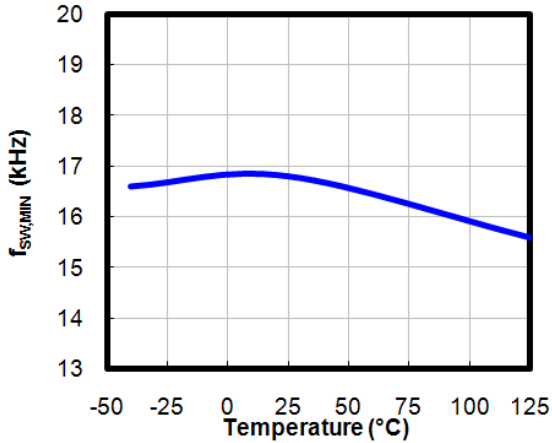


Figure 51. Restart Timer Frequency vs. Temperature

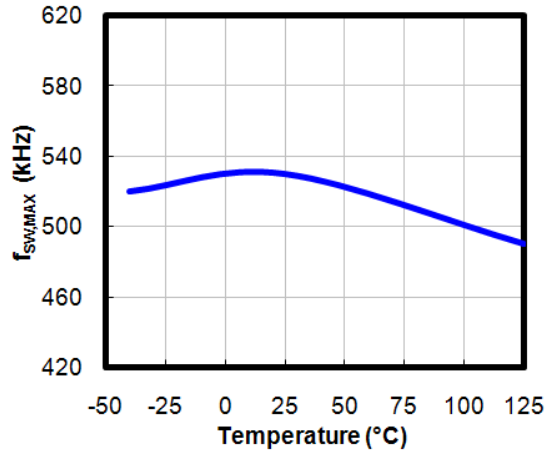


Figure 52. Maximum Frequency Clamp vs. Temperature

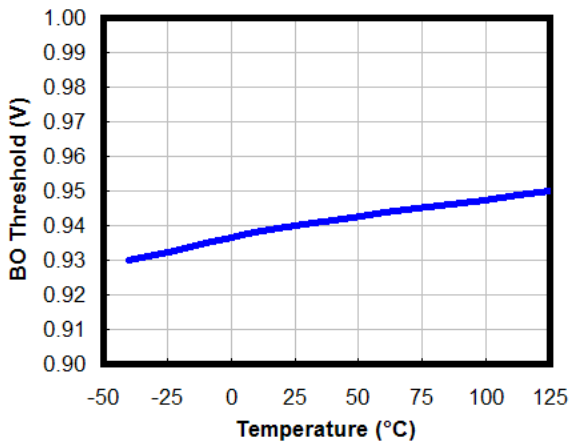


Figure 53. Brownout Threshold vs. Temperature

**TYPICAL PERFORMANCE CHARACTERISTICS – PROTECTION** (Continued)

(Typical characteristics are provided at  $T_A = 25^\circ\text{C}$  and  $V_{DD} = 12\text{ V}$  unless otherwise noted.)

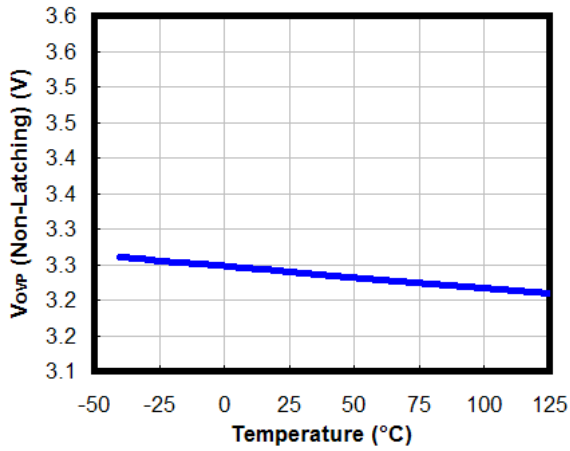


Figure 54. Non-Latching OVP vs. Temperature

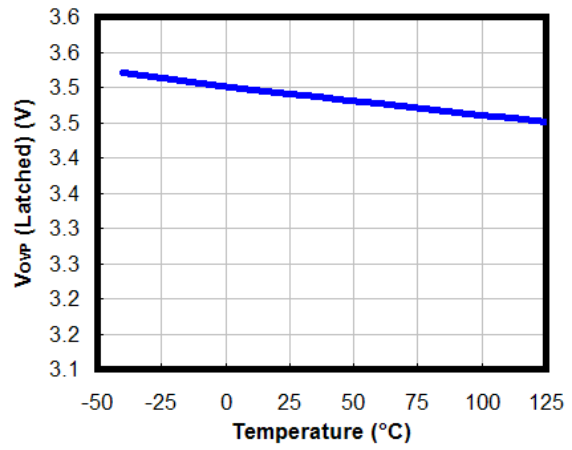


Figure 55. Latching OVP vs. Temperature

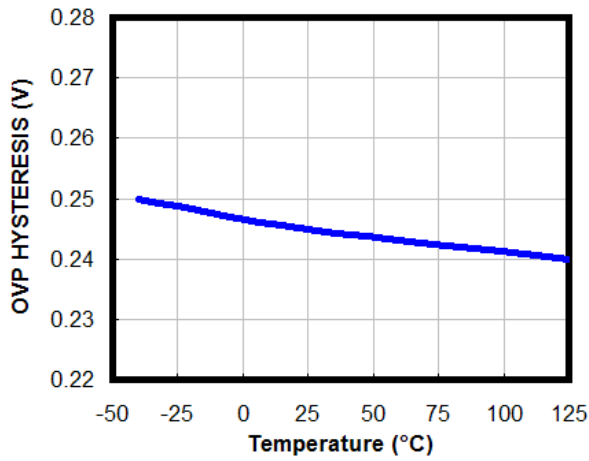
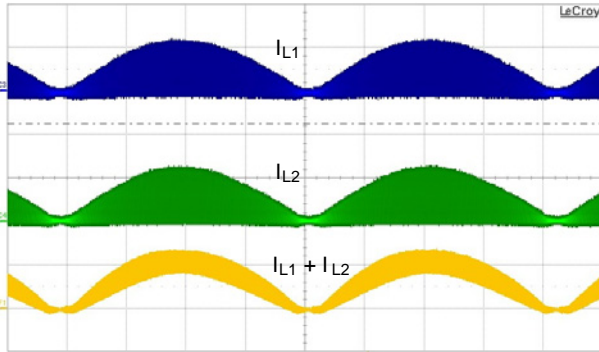


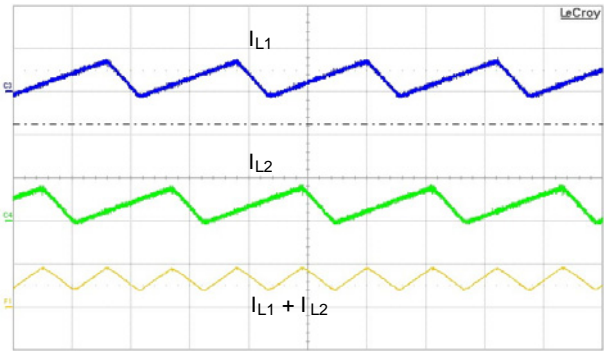
Figure 56. OVP Hysteresis vs. Temperature

**TYPICAL PERFORMANCE CHARACTERISTICS – OPERATION**

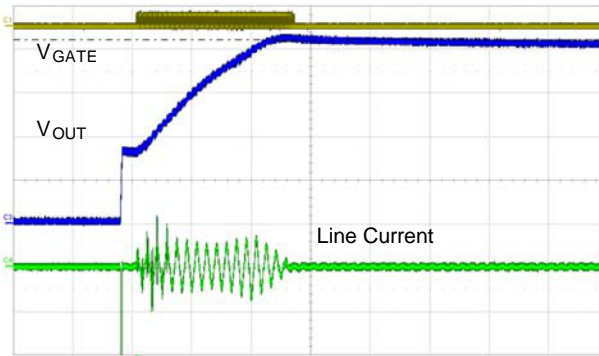
(Typical characteristics are provided at  $T_A = 25^\circ\text{C}$  and  $V_{DD} = 12\text{ V}$  unless otherwise noted.)



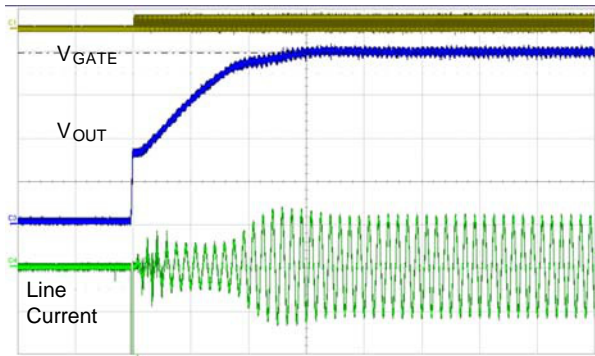
**Figure 57. Ripple-Current Cancellation (110 V<sub>AC</sub>)**



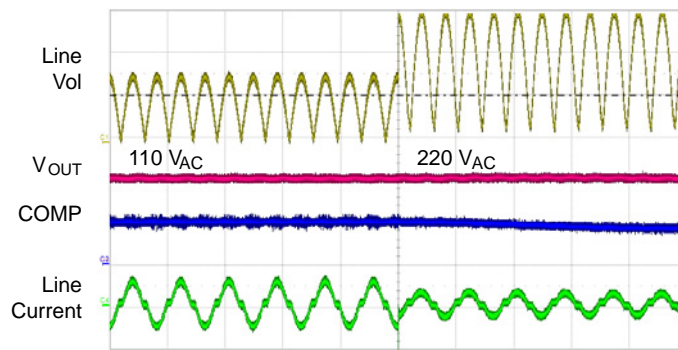
**Figure 58. Ripple-Current Cancellation (110 V<sub>AC</sub>)**



**Figure 59. No-Load Startup at 115 V<sub>AC</sub>**



**Figure 60. Full-Load Startup at 115 V<sub>AC</sub>**



**Figure 61. Input Voltage Feedforward**

NOTE:

- For full performance operational characteristics at both low line (110 V<sub>AC</sub>) and high line (220 V<sub>AC</sub>), as well as at no-load and full-load, refer to FEB388 Evaluation Board User Guide: 400 W Evaluation Board.



# FAN9611

## EVALUATION BOARD

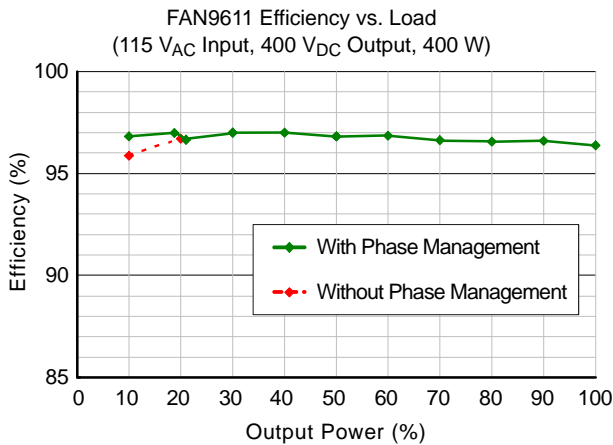
### FEB388: 400-W Evaluation Board Using FAN9611

FEB388 is one of the evaluation boards for an interleaved dual boundary-conduction-mode PFC converter. It is rated at 400 W (400 V/1 A) power. With phase management, efficiency is maintained above 96% even down at 10% of the rated output power. The efficiencies for full-load condition exceed 96% as shown below.

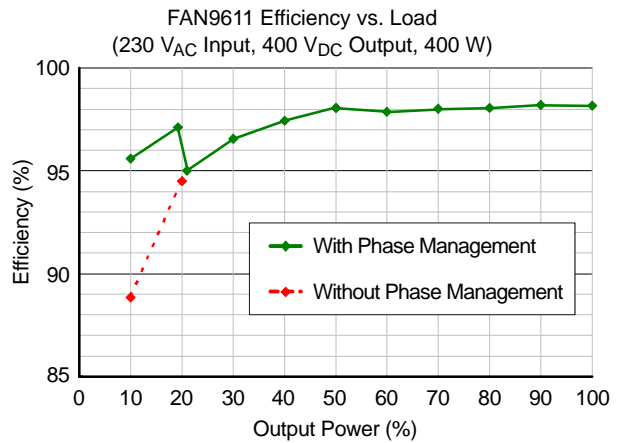
Figure 62 and Figure 63 show the phase management with the default minimum threshold values of the IC. They can be adjusted upwards to achieve a different efficiency profile (Figure 64 and Figure 65) where phase management thresholds are adjusted to 30% / 44% of the full load. *For full specification, design schematic, bill of materials and test results; see FEB388 — FAN9611/12 400-W Evaluation Board User Guide ([AN-9717](#)).*

**Table 2.**

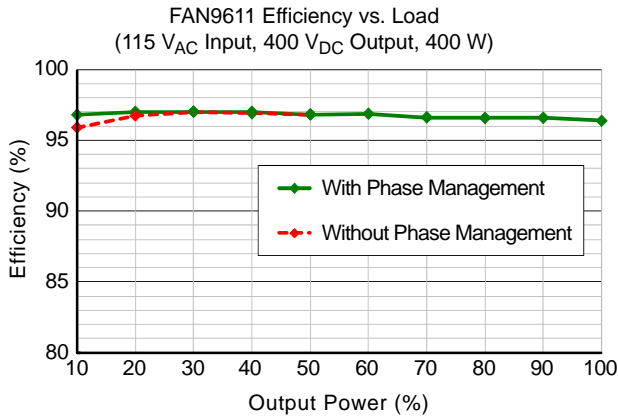
Input Voltage	Rated Output Power	Output Voltage (Rated Current)
$V_{IN}$ Nominal: 85 V~264 V <sub>AC</sub> $V_{DD}$ Supply: 13 V~18 V <sub>DC</sub>	400 W	400 V (1 A)



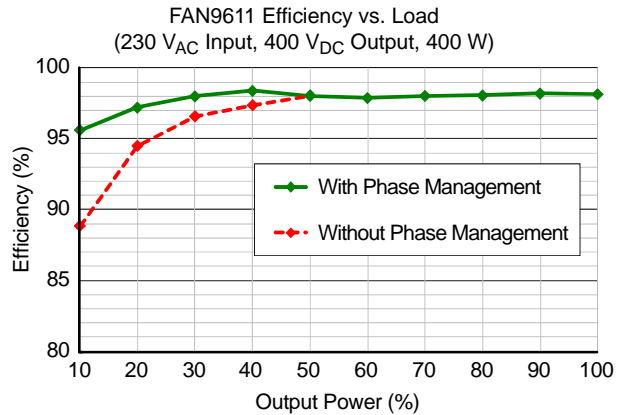
**Figure 62. Measured Efficiency at 115 V<sub>AC</sub> (Default Thresholds)**



**Figure 63. Measured Efficiency at 230 V<sub>AC</sub> (Default Thresholds)**



**Figure 64. Measured Efficiency at 115 V<sub>AC</sub> (Adjusted Thresholds)**



**Figure 65. Measured Efficiency at 230 V<sub>AC</sub> (Adjusted Thresholds)**

# FAN9611

**Table 3. RELATED PRODUCTS**

Part Number	Description	PFC Control	Number of Pins	Comments
FAN6961	Green Mode PFC	Single BCM (CRM)	8	Industry Standard Pin-Out with Green Mode Functions
FAN7527B	Boundary Mode PFC Control IC	Single BCM (CRM)	8	Industry Standard Pin-Out
FAN7528	Dual Output Critical Conduction Mode PFC Controller	Single BCM (CRM)	8	Low THD for Boost-Follower Implementation
FAN7529	Critical Conduction Mode PFC Controller	Single BCM (CRM)	8	Low THD
FAN7530	Critical Conduction Mode PFC Controller	Single BCM (CRM)	8	Low THD, Alternate Pin-Out of FAN7529 (Pins 2 and 3 Reversed)
FAN7930	Critical Conduction Mode PFC Controller	Single BCM (CRM)	8	PFC Ready pin, Frequency Limit, AC-Line-Absent Detection, Soft-Start to Minimize Overshoot, Integrated THD Optimizer, TSD
<i>FAN9611</i>	<i>Interleaved Dual BCM PFC Controller</i>	<i>Dual BCM (CRM)</i>	<i>16</i>	<i>Dual BCM (CRM), 180° Out-of-Phase, 10.0 V UVLO</i>
FAN9612	Interleaved Dual BCM PFC Controller	Dual BCM (CRM)	16	Dual BCM (CRM), 180° Out-of-Phase, 12.5 V UVLO

## RELATED RESOURCES

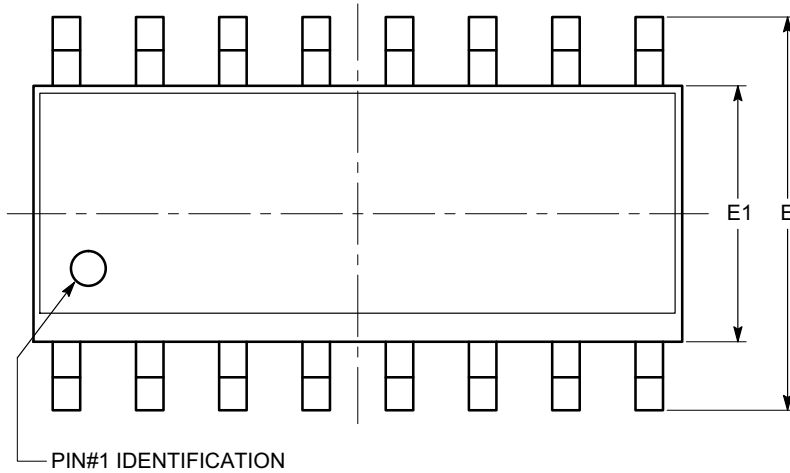
- [AN-6086](#): Design Consideration for Interleaved Boundary Conduction Mode (BCM) PFC Using FAN9611/12
- [AN-9717](#): **onsemi** Evaluation Board User Guide FEB388: 400 W Evaluation Board using FAN9611/12
- [AN-8021](#): Building Variable Output Voltage Boost PFC Converters Using FAN9611/12
- [onsemi 300-W Low Profile Evaluation Board: FEBFAN9611\\_S01U300A](#)

## REFERENCES

1. L. Huber, B. Irving, C. Adragna and M. Jovanovich, "Implementation of Open-Loop Control for Interleaved DCM/BCM Boundary Boost PFC Converters", Proceedings of APEC '08, pp. 1010-1016.
2. C. Bridge and L. Balogh, "Understanding Interleaved Boundary Conduction Mode PFC Converters", Fairchild Power Seminars, 2008-2009.

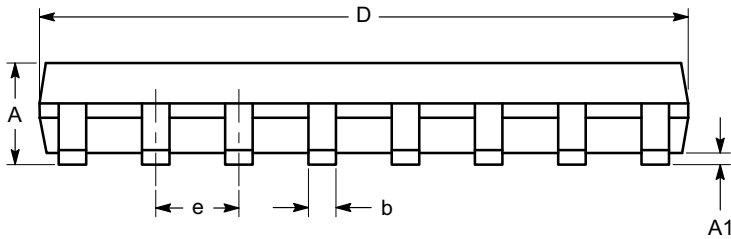
**SOIC-16, 150 mils**  
**CASE 751BG**  
**ISSUE O**

DATE 19 DEC 2008

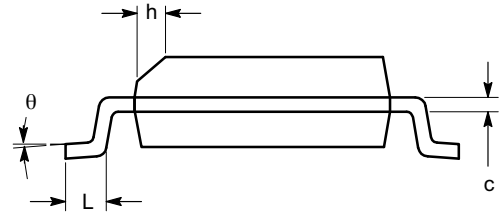


SYMBOL	MIN	NOM	MAX
A	1.35		1.75
A1	0.10		0.25
b	0.33		0.51
c	0.19		0.25
D	9.80	9.90	10.00
E	5.80	6.00	6.20
E1	3.80	3.90	4.00
e	1.27 BSC		
h	0.25		0.50
L	0.40		1.27
$\theta$	0°		8°

**TOP VIEW**



**SIDE VIEW**



**END VIEW**

**Notes:**

- (1) All dimensions are in millimeters. Angles in degrees.
- (2) Complies with JEDEC MS-012.

<b>DOCUMENT NUMBER:</b>	<b>98AON34275E</b>	Electronic versions are uncontrolled except when accessed directly from the Document Repository. Printed versions are uncontrolled except when stamped "CONTROLLED COPY" in red.
<b>DESCRIPTION:</b>	<b>SOIC-16, 150 mils</b>	<b>PAGE 1 OF 1</b>

onsemi and ONSEMI are trademarks of Semiconductor Components Industries, LLC dba onsemi or its subsidiaries in the United States and/or other countries. onsemi reserves the right to make changes without further notice to any products herein. onsemi makes no warranty, representation or guarantee regarding the suitability of its products for any particular purpose, nor does onsemi assume any liability arising out of the application or use of any product or circuit, and specifically disclaims any and all liability, including without limitation special, consequential or incidental damages. onsemi does not convey any license under its patent rights nor the rights of others.

**onsemi**, **Onsemi**, and other names, marks, and brands are registered and/or common law trademarks of Semiconductor Components Industries, LLC dba "**onsemi**" or its affiliates and/or subsidiaries in the United States and/or other countries. **onsemi** owns the rights to a number of patents, trademarks, copyrights, trade secrets, and other intellectual property. A listing of **onsemi**'s product/patent coverage may be accessed at [www.onsemi.com/site/pdf/Patent-Marking.pdf](http://www.onsemi.com/site/pdf/Patent-Marking.pdf). **onsemi** reserves the right to make changes at any time to any products or information herein, without notice. The information herein is provided "as-is" and **onsemi** makes no warranty, representation or guarantee regarding the accuracy of the information, product features, availability, functionality, or suitability of its products for any particular purpose, nor does **onsemi** assume any liability arising out of the application or use of any product or circuit, and specifically disclaims any and all liability, including without limitation special, consequential or incidental damages. Buyer is responsible for its products and applications using **onsemi** products, including compliance with all laws, regulations and safety requirements or standards, regardless of any support or applications information provided by **onsemi**. "Typical" parameters which may be provided in **onsemi** data sheets and/or specifications can and do vary in different applications and actual performance may vary over time. All operating parameters, including "Typicals" must be validated for each customer application by customer's technical experts. **onsemi** does not convey any license under any of its intellectual property rights nor the rights of others. **onsemi** products are not designed, intended, or authorized for use as a critical component in life support systems or any FDA Class 3 medical devices or medical devices with a same or similar classification in a foreign jurisdiction or any devices intended for implantation in the human body. Should Buyer purchase or use **onsemi** products for any such unintended or unauthorized application, Buyer shall indemnify and hold **onsemi** and its officers, employees, subsidiaries, affiliates, and distributors harmless against all claims, costs, damages, and expenses, and reasonable attorney fees arising out of, directly or indirectly, any claim of personal injury or death associated with such unintended or unauthorized use, even if such claim alleges that **onsemi** was negligent regarding the design or manufacture of the part. **onsemi** is an Equal Opportunity/Affirmative Action Employer. This literature is subject to all applicable copyright laws and is not for resale in any manner.

## ADDITIONAL INFORMATION

### TECHNICAL PUBLICATIONS:

Technical Library: [www.onsemi.com/design/resources/technical-documentation](http://www.onsemi.com/design/resources/technical-documentation)  
onsemi Website: [www.onsemi.com](http://www.onsemi.com)

### ONLINE SUPPORT: [www.onsemi.com/support](http://www.onsemi.com/support)

For additional information, please contact your local Sales Representative at [www.onsemi.com/support/sales](http://www.onsemi.com/support/sales)