

# NCP1608BOOSTGEVB

## NCP1608 100 W Boost Evaluation Board User's Manual



ON Semiconductor®

<http://onsemi.com>

### EVAL BOARD USER'S MANUAL

#### Introduction

The NCP1608 is a voltage mode power factor correction (PFC) controller designed to implement converters to comply with line current harmonic regulations. The device operates in critical conduction mode (CrM) for optimal performance in applications up to 350 W. Its voltage mode scheme enables it to obtain near unity power factor (PF) without the need for a line-sensing network. The output voltage is accurately controlled with an integrated high precision transconductance error amplifier. The controller also implements a comprehensive set of safety features that simplify system design.

This application note describes the design and implementation of a 400 V, 100 W, CrM boost PFC converter using the NCP1608. The converter exhibits high PF, low standby power dissipation, high active mode efficiency, and a variety of protection features.

#### The Need for PFC

Most electronic ballasts and switch-mode power supplies (SMPS) use a diode bridge rectifier and a bulk storage capacitor to produce a dc voltage from the utility ac line. This causes a non-sinusoidal current consumption and increases the stress on the power delivery infrastructure. Government regulations and utility requirements mandate control over line current harmonic content. Active PFC circuits are the most popular method to comply with these harmonic content requirements. System solutions consist of connecting a PFC pre-converter between the rectifier bridge and the bulk capacitor (Figure 1). The boost converter is the most popular topology for active PF correction. It produces a constant output voltage and consumes a sinusoidal input current from the line.

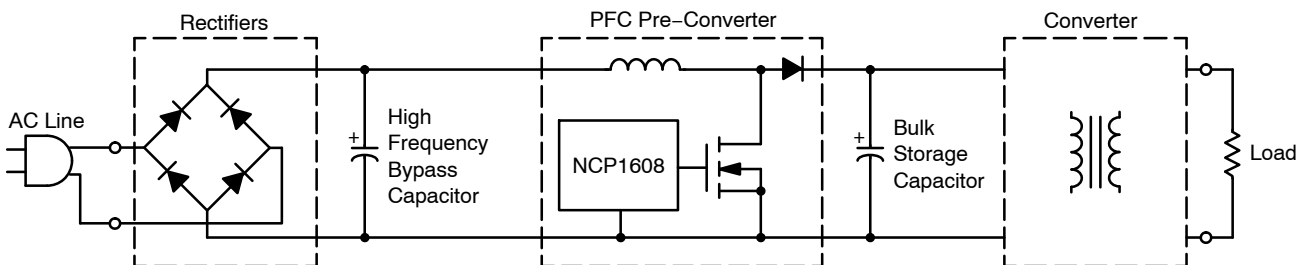


Figure 1. Active PFC Stage with the NCP1608

#### Basic Operation of a CrM Boost Converter

For medium power (< 350 W) applications, CrM is the preferred control method. CrM operates at the boundary between discontinuous conduction mode (DCM) and continuous conduction mode (CCM). In CrM, the drive on time begins when the inductor current reaches zero.

CrM combines the reduced peak current of CCM operation with the zero current switching of DCM

operation. This control method causes the frequency to vary with the instantaneous line input voltage ( $V_{in}$ ) and the output load. The operation and waveforms of a CrM PFC boost converter are illustrated in Figure 2. For detailed information on the operation of a CrM boost converter for PFC applications, please refer to AND8123 at [www.onsemi.com](http://www.onsemi.com).

# NCP1608BOOSTGEVB

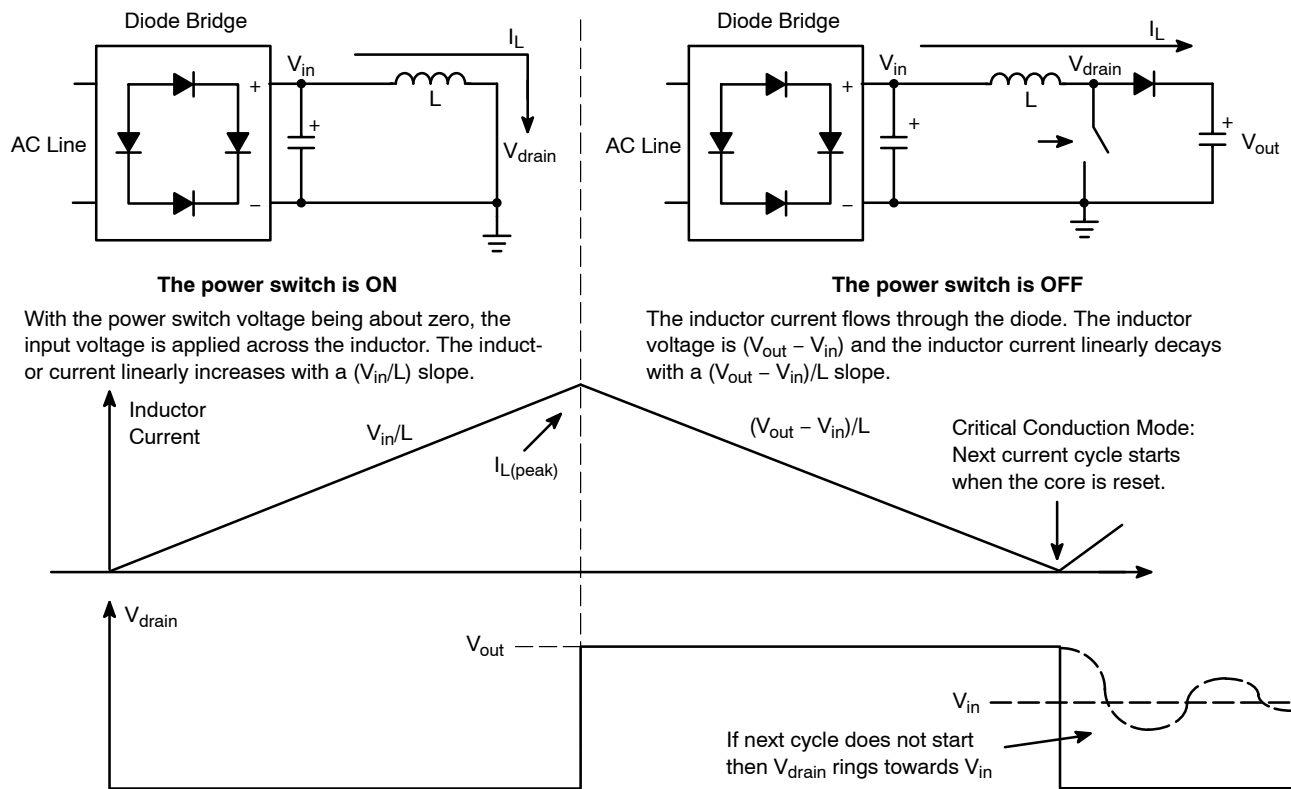


Figure 2. Schematic and Waveforms of an Ideal CrM Boost Converter

## Features of the NCP1608

The NCP1608 is an excellent controller for robust medium power CrM boost PFC applications due to its integrated safety features, low impedance driver, high precision error amplifier, and low standby current consumption.

For detailed information on the operation of the NCP1608, please refer to NCP1608/D at [www.onsemi.com](http://www.onsemi.com). A CrM boost pre-converter featuring the NCP1608 is shown in Figure 3.

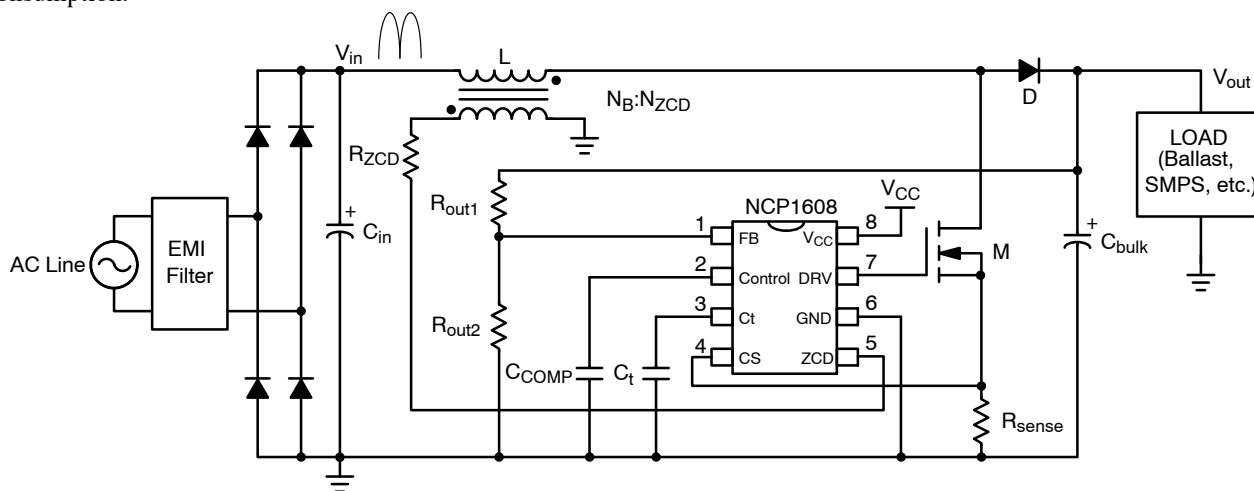


Figure 3. CrM Boost PFC Stage Featuring the NCP1608

The FB pin senses the boost output voltage through the resistor divider formed by  $R_{out1}$  and  $R_{out2}$ . The FB pin includes overvoltage protection (OVP), undervoltage protection (UVP), and floating pin protection (FPP). This pin is the input to the error amplifier. The output of the error amplifier is the Control pin.

A combination of resistors and capacitors connected between the Control and ground pins forms a compensation network that limits the bandwidth of the converter. For high PF, the bandwidth is set to less than 20 Hz. A capacitor connected to the Ct pin sets the maximum on time. The CS pin provides cycle-by-cycle overcurrent protection. The

# NCP1608BOOSTGEVB

internal comparator compares the voltage developed across  $R_{sense}$  ( $V_{CS}$ ) to an internal reference ( $V_{ILIM}$ ). The driver turns off when  $V_{CS}$  reaches  $V_{ILIM}$ . The ZCD pin senses the demagnetization of the boost inductor to turn on the drive. The drive on time begins after the ZCD pin voltage ( $V_{ZCD}$ ) exceeds  $V_{ZCD(ARM)}$  and then decreases to less than  $V_{ZCD(TRIG)}$ . A resistor in series with the ZCD winding limits the ZCD pin current.

The NCP1608 features a powerful output driver on the DRV pin. The driver is capable of switching the gates of large MOSFETs efficiently because of its low source and sink impedances. The driver includes active and passive pull-off circuits to prevent the output from floating high when the NCP1608 is disabled.

The  $V_{CC}$  pin is the supply pin of the controller. When  $V_{CC}$  is less than the turn on voltage ( $V_{CC(on)}$ ), the current consumption of the device is less than 35  $\mu$ A. This results in fast startup times and reduced standby power losses.

## Design Procedure

The design of a CrM boost PFC converter is discussed in many ON Semiconductor application notes. Table 1 lists some examples.

This application note describes the design procedure for a 400 V, 100 W converter using the features of the NCP1608. A dedicated NCP1608 design tool that enables users to determine component values quickly is available at [www.onsemi.com](http://www.onsemi.com).

**Table 1. Additional Resources for the Design and Understanding of CrM Boost PFC Circuits Available at [www.onsemi.com](http://www.onsemi.com).**

AND8123	Power Factor Correction Stages Operating in Critical Conduction Mode
AND8016	Design of Power Factor Correction Circuits Using the MC33260
AND8154	NCP1230 90 W, Universal Input Adapter Power Supply with Active PFC
HBD853	Power Factor Correction Handbook

## DESIGN STEP 1: Define the Required Parameters

The converter parameters are shown in Table 2.

**Table 2. CONVERTER PARAMETERS**

Parameter Name	Symbol	Value	Units
Minimum Line Input Voltage	$V_{acLL}$	85	Vac
Maximum Line Input Voltage	$V_{acHL}$	265	Vac
Minimum Line Frequency	$f_{line(MIN)}$	47	Hz
Maximum Line Frequency	$f_{line(MAX)}$	63	Hz
Output Voltage	$V_{out}$	400	V
Full Load Output Current	$I_{out}$	250	mA
Full Load Output Power	$P_{out}$	100	W
Maximum Output Voltage	$V_{out(MAX)}$	440	V
Minimum Switching Frequency	$f_{SW(MIN)}$	40	kHz
Minimum Full Load Efficiency	$\eta$	92	%
Minimum Full Load Power Factor	PF	0.9	-

## DESIGN STEP 2: Calculate the Boost Inductor

The value of the boost inductor ( $L$ ) is calculated using Equation 1:

$$L \leq \frac{V_{ac}^2 \cdot \left( \frac{V_{out}}{\sqrt{2}} - V_{ac} \right) \cdot \eta}{\sqrt{2} \cdot V_{out} \cdot P_{out} \cdot f_{SW(MIN)}} \quad (\text{eq. 1})$$

To ensure that the switching frequency exceeds the minimum frequency,  $L$  is calculated at both the minimum and maximum rms input line voltage:

$$L_{LL} \leq \frac{85^2 \cdot \left( \frac{400}{\sqrt{2}} - 85 \right) \cdot 0.92}{\sqrt{2} \cdot 400 \cdot 100 \cdot 40 \text{ k}} = 581 \mu\text{H}$$

Where  $L_{LL}$  is the inductor value calculated at  $V_{acLL}$ .

$$L_{HL} \leq \frac{265^2 \cdot \left( \frac{400}{\sqrt{2}} - 265 \right) \cdot 0.92}{\sqrt{2} \cdot 400 \cdot 100 \cdot 40 \text{ k}} = 509 \mu\text{H}$$

Where  $L_{HL}$  is the inductor value calculated at  $V_{acHL}$ .

A value of 400  $\mu$ H is selected. The inductance tolerance is  $\pm 15\%$ . The maximum inductance ( $L_{MAX}$ ) value is 460  $\mu$ H. Equation 2 is used to calculate the minimum frequency at full load.

$$f_{SW} = \frac{V_{ac}^2 \cdot \eta}{2 \cdot L_{MAX} \cdot P_{out}} \cdot \left( 1 - \frac{\sqrt{2} \cdot V_{ac}}{V_{out}} \right) \quad (\text{eq. 2})$$

$$f_{SW(LL)} = \frac{85^2 \cdot 0.92}{2 \cdot 460 \mu \cdot 100} \cdot \left(1 - \frac{\sqrt{2} \cdot 85}{400}\right) = 50.5 \text{ kHz}$$

$$f_{SW(HL)} = \frac{265^2 \cdot 0.92}{2 \cdot 460 \mu \cdot 100} \cdot \left(1 - \frac{\sqrt{2} \cdot 265}{400}\right) = 44.3 \text{ kHz}$$

$f_{SW}$  is equal to 50.5 kHz at  $V_{acLL}$  and 44.3 kHz at  $V_{acHL}$ .

**DESIGN STEP 3: Size the Ct Capacitor**

The Ct capacitor is sized to set the maximum on time for minimum line input voltage and maximum output power. The maximum on time is calculated using Equation 3:

$$t_{on(MAX)} = \frac{2 \cdot L_{MAX} \cdot P_{out}}{\eta \cdot Vac_{LL}^2} \quad (\text{eq. 3})$$

$$t_{on(MAX)} = \frac{2 \cdot 460 \mu \cdot 100}{0.92 \cdot 85^2} = 13.8 \mu\text{s}$$

Sizing Ct to an excessively large value causes the application to deliver excessive output power and reduces the control range at  $V_{acHL}$  or low output power. It is recommended to size the Ct capacitor to a value slightly larger than that calculated by Equation 4:

$$Ct \geq \frac{2 \cdot P_{out} \cdot L_{MAX} \cdot I_{charge}}{\eta \cdot Vac_{LL}^2 \cdot V_{Ct(MAX)}} \quad (\text{eq. 4})$$

Where  $I_{charge}$  and  $V_{Ct(MAX)}$  are specified in the NCP1608 datasheet. To ensure that the controller sets the maximum on time to a value sufficient to deliver the required output power, the maximum  $I_{charge}$  and the minimum  $V_{Ct(MAX)}$  values are used in the calculations for Ct.

From the NCP1608 datasheet:

-  $V_{Ct(MAX)} = 4.775 \text{ V}$  (minimum)

-  $I_{charge} = 297 \mu\text{A}$  (maximum)

Ct is equal to:

$$Ct \geq \frac{2 \cdot 100 \cdot 460 \mu \cdot 297 \mu}{0.92 \cdot 85^2 \cdot 4.775} = 860 \text{ pF}$$

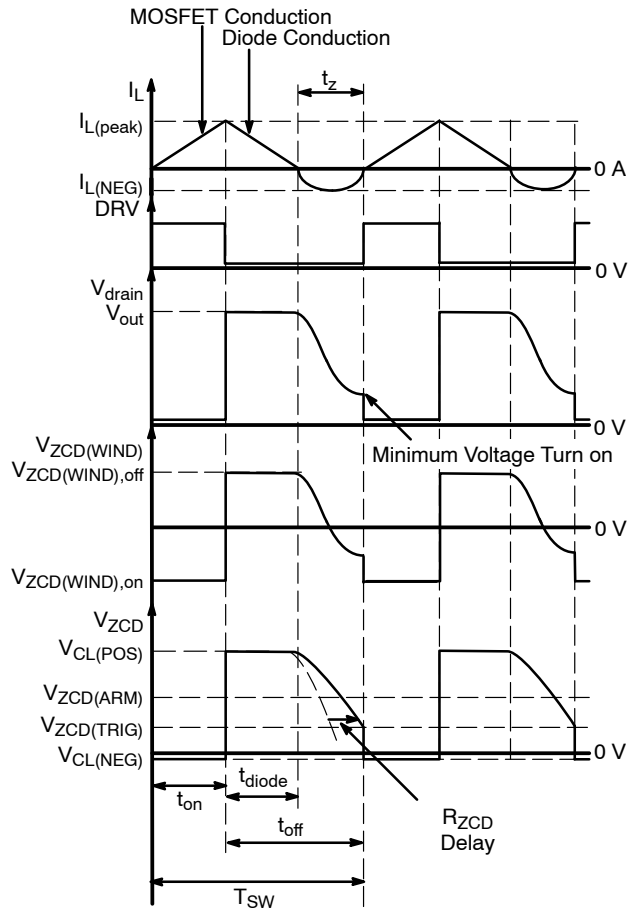
A normalized value of 1 nF ( $\pm 10\%$ ) provides sufficient margin. A value of 1.22 nF is selected for Total Harmonic Distortion (THD) reduction (see the **Additional THD Reduction** section of this application note for more information).

**DESIGN STEP 4: Determine the ZCD Turns Ratio**

To activate the ZCD detector of the NCP1608, the ZCD turns ratio is sized such that at least  $V_{ZCD(ARM)}$  (1.55 V maximum) is applied to the ZCD pin during all operating conditions (see Figure 4). The boost winding to ZCD winding turns ratio ( $N = N_B:N_{ZCD}$ ) is calculated using Equation 5.

$$N \leq \frac{V_{out} - (\sqrt{2} \cdot Vac_{HL})}{V_{ZCD(ARM)}} \quad (\text{eq. 5})$$

$$N \leq \frac{400 - (\sqrt{2} \cdot 265)}{1.55} = 16$$



**Figure 4. Realistic CrM Waveforms Using a ZCD Winding with  $R_{ZCD}$  and the ZCD Pin Capacitance**

A turns ratio of 10 is selected for this design.  $R_{ZCD}$  is connected between the ZCD winding and the ZCD pin to limit the ZCD pin current. This current must be limited below 10 mA.  $R_{ZCD}$  is calculated using Equation 6:

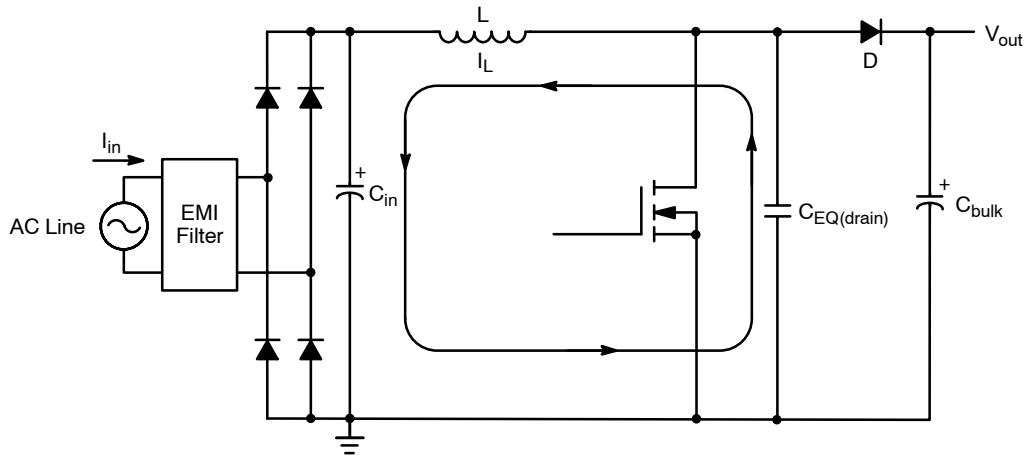
$$R_{ZCD} \geq \frac{\sqrt{2} \cdot Vac_{HL}}{I_{ZCD(MAX)} \cdot N} \quad (\text{eq. 6})$$

$$R_{ZCD} \geq \frac{\sqrt{2} \cdot 265}{10 \text{ m} \cdot 10} = 3.75 \text{ k}\Omega$$

The value of  $R_{ZCD}$  and the parasitic capacitance of the ZCD pin determine when the ZCD winding signal is detected and the drive turn on begins. A large  $R_{ZCD}$  value creates a long delay before detecting the ZCD event. In this case, the controller operates in DCM and the PF is reduced. If the  $R_{ZCD}$  value is too small, the drive turns on when the drain voltage is high and efficiency is reduced. A popular strategy for selecting  $R_{ZCD}$  is to use the  $R_{ZCD}$  value that achieves minimum drain voltage turn on. This value is found experimentally.

During the delay caused by  $R_{ZCD}$  and the ZCD pin capacitance, the equivalent drain capacitance ( $C_{EQ(drain)}$ ) discharges through the path shown in Figure 5.

## NCP1608BOOSTGEVB



**Figure 5. Equivalent Drain Capacitance Discharge Path**

$C_{EQ(drain)}$  is the combined parasitic capacitances of the MOSFET, the diode, and the inductor.  $C_{in}$  is charged by the energy discharged by  $C_{EQ(drain)}$ . The charging of  $C_{in}$  reverse biases the bridge rectifier and causes the input current ( $I_{in}$ ) to decrease to zero. The zero input current causes THD to increase. To reduce THD, the ratio ( $t_z / T_{SW}$ ) is minimized, where  $t_z$  is the period from when  $I_L = 0$  A to when the drive turns on. The ratio ( $t_z / T_{SW}$ ) is inversely proportional to the square root of  $L$ .

### DESIGN STEP 5: Set the FB, OVP, and UVP Levels

$R_{out1}$  and  $R_{out2}$  form a resistor divider that scales down  $V_{out}$  before it is applied to the FB pin. The error amplifier adjusts the on time of the drive to maintain the FB pin voltage equal to the error amplifier reference voltage ( $V_{REF}$ ). The divider network bias current ( $I_{bias(out)}$ ) selection is the first step in the calculation. The divider network bias current is selected to optimize the tradeoff of noise immunity and power dissipation.  $R_{out1}$  is calculated using the optimized bias current and output voltage using Equation 7:

$$R_{out1} = \frac{V_{out}}{I_{bias(out)}} \quad (\text{eq. 7})$$

A bias current of 100  $\mu$ A provides an acceptable tradeoff of power dissipation to noise immunity.

$$R_{out1} = \frac{400}{100 \mu} = 4 \text{ M}\Omega$$

The output voltage signal is delayed before it is applied to the FB pin due to the time constant set by  $R_{out1}$  and the FB pin capacitance.  $R_{out1}$  must not be sized too large or this delay may cause overshoots of the OVP detection voltage.

$R_{out2}$  is dependent on  $V_{out}$ ,  $R_{out1}$ , and the internal feedback resistor ( $R_{FB}$ , shown in the NCP1608 specification table).  $R_{out2}$  is calculated using Equation 8:

$$R_{out2} = \frac{R_{out1} \cdot R_{FB}}{R_{FB} \cdot \left( \frac{V_{out}}{V_{REF}} - 1 \right) - R_{out1}} \quad (\text{eq. 8})$$

$$R_{out2} = \frac{4 \text{ M} \cdot 4.6 \text{ M}}{4.6 \text{ M} \cdot \left( \frac{400}{2.5} - 1 \right) - 4 \text{ M}} = 25.3 \text{ k}\Omega$$

$R_{out2}$  is selected as 25.5  $\text{k}\Omega$  for this design.

Using the selected resistor, the resulting output voltage is calculated using Equation 9:

$$V_{out} = V_{REF} \cdot \left( R_{out1} \cdot \frac{R_{out2} + R_{FB}}{R_{out2} \cdot R_{FB}} + 1 \right) \quad (\text{eq. 9})$$

$$V_{out} = 2.5 \cdot \left( 4 \text{ M} \cdot \frac{25.5 \text{ k} + 4.6 \text{ M}}{25.5 \text{ k} \cdot 4.6 \text{ M}} + 1 \right) = 397 \text{ V}$$

The low bandwidth of the PFC stage causes overshoots during transient loads or during startup. The NCP1608 includes an integrated OVP circuit to prevent the output from exceeding a safe voltage. The OVP circuit compares  $V_{FB}$  to the internal overvoltage detect threshold voltage to determine if an OVP fault occurs. The OVP detection voltage is calculated using Equation 10:

$$V_{out(OVP)} = \frac{V_{OVP}}{V_{REF}} \cdot V_{REF} \cdot \left( R_{out1} \cdot \frac{R_{out2} + R_{FB}}{R_{out2} \cdot R_{FB}} + 1 \right) \quad (\text{eq. 10})$$

$$V_{out(OVP)} = 1.06 \cdot 2.5 \cdot \left( 4 \text{ M} \cdot \frac{25.5 \text{ k} + 4.6 \text{ M}}{25.5 \text{ k} \cdot 4.6 \text{ M}} + 1 \right) = 421 \text{ V}$$

The output capacitor ( $C_{bulk}$ ) value is sized to be large enough so that the peak-to-peak output voltage ripple ( $V_{ripple(peak-peak)}$ ) is less than the OVP detection voltage.  $C_{bulk}$  is calculated using Equation 11:

$$C_{bulk} \geq \frac{P_{out}}{2 \cdot \pi \cdot V_{ripple(peak-peak)} \cdot f_{line} \cdot V_{out}} \quad (\text{eq. 11})$$

Where  $f_{line} = 47$  Hz is the worst case for the ripple voltage and  $V_{ripple(peak-peak)} < 42$  V.

$$C_{bulk} \geq \frac{100}{2 \cdot \pi \cdot 42 \cdot 47 \cdot 400} = 20 \mu\text{F}$$

## NCP1608BOOSTGEVB

The value of  $C_{bulk}$  is selected as 68  $\mu\text{F}$  to reduce  $V_{ripple(peak-peak)}$  to less than 15 V. This results in a peak output voltage of 406.25 V, which is less than the peak output OVP detection voltage (421 V).

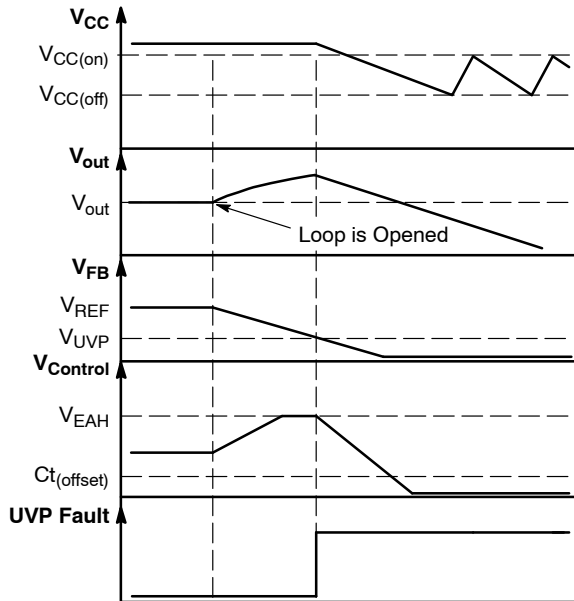
The NCP1608 includes undervoltage protection (UVP). During startup,  $C_{bulk}$  charges to the peak of the ac line voltage. If  $C_{bulk}$  does not charge to a minimum voltage, the NCP1608 detects an UVP fault. The UVP detection voltage is calculated using Equation 12:

$$V_{out(UVP)} = V_{UVP} \cdot \left( R_{out1} \cdot \frac{R_{out2} + R_{FB}}{R_{out2} \cdot R_{FB}} + 1 \right) \quad (\text{eq. 12})$$

$$V_{out(UVP)} = 0.31 \cdot \left( 4 \text{ M} \cdot \frac{25.5 \text{ k} + 4.6 \text{ M}}{25.5 \text{ k} \cdot 4.6 \text{ M}} + 1 \right) = 49 \text{ V}$$

The UVP feature protects against open loop conditions in the feedback loop. If the FB pin is inadvertently floating (perhaps due to a bad solder joint), the coupling within the system may cause  $V_{FB}$  to be within the regulation range (i.e.  $V_{UVP} < V_{FB} < V_{REF}$ ). The controller responds by delivering maximum power. The output voltage increases and over stresses the components. The NCP1608 includes a feature to protect the system if FB is floating. The internal pull-down resistor ( $R_{FB}$ ) ensures that  $V_{FB}$  is below the UVP threshold if the FB pin is floating.

If the FB pin floats during operation,  $V_{FB}$  begins decreasing from  $V_{REF}$ . The rate of decrease depends on  $R_{FB}$  and the FB pin parasitic capacitance. As  $V_{FB}$  decreases,  $V_{Control}$  increases, which causes the on time to increase until  $V_{FB} < V_{UVP}$ . When  $V_{FB} < V_{UVP}$  the UVP fault is detected and the controller is disabled. The sequence is depicted in Figure 6.



**Figure 6. UVP Operation if Loop is Opened During Operation**

### DESIGN STEP 6: Size the Power Components

The power components are sized such that there is sufficient margin to sustain the currents and voltages applied to them. At minimum line input voltage and maximum output power the inductor peak current is at the maximum, which causes the greatest stress to the power components. The components are referenced in Figure 3.

1. The inductor peak current ( $I_{L(peak)}$ ) is calculated using Equation 13:

$$I_{L(peak)} = \frac{\sqrt{2} \cdot 2 \cdot P_{out}}{\eta \cdot V_{ac}} \quad (\text{eq. 13})$$

$$I_{L(peak)} = \frac{\sqrt{2} \cdot 2 \cdot 100}{0.92 \cdot 85} = 3.62 \text{ A}$$

The inductor rms current ( $I_{L(RMS)}$ ) is calculated using Equation 14:

$$I_{L(RMS)} = \frac{2 \cdot P_{out}}{\sqrt{3} \cdot V_{ac} \cdot \eta} \quad (\text{eq. 14})$$

$$I_{L(RMS)} = \frac{2 \cdot 100}{\sqrt{3} \cdot 85 \cdot 0.92} = 1.48 \text{ A}$$

2. The output diode (D) rms current ( $I_{D(RMS)}$ ) is calculated using Equation 15:

$$I_{D(RMS)} = \frac{4}{3} \cdot \sqrt{\frac{2 \cdot 2}{\pi}} \cdot \frac{P_{out}}{\eta \cdot \sqrt{V_{ac} \cdot V_{out}}} \quad (\text{eq. 15})$$

$$I_{D(RMS)} = \frac{4}{3} \cdot \sqrt{\frac{2 \cdot 2}{\pi}} \cdot \frac{100}{0.92 \cdot \sqrt{85 \cdot 400}} = 0.75 \text{ A}$$

The diode maximum voltage is equal to  $V_{OVP}$  (421 V) plus the overshoot caused by parasitic contributions. For this evaluation board, the maximum voltage is 450 V. A 600 V diode provides a 25% derating factor. The MUR460 (4 A/600 V) diode is selected for this design.

3. The MOSFET (M) rms current ( $I_{M(RMS)}$ ) is calculated using Equation 16:

$$I_{M(RMS)} = \frac{2}{\sqrt{3}} \cdot \left( \frac{P_{out}}{\eta \cdot V_{ac}} \right) \cdot \sqrt{1 - \left( \frac{\sqrt{2} \cdot 8 \cdot V_{ac}}{3 \cdot \pi \cdot V_{out}} \right)^2} \quad (\text{eq. 16})$$

$$I_{M(RMS)} = \frac{2}{\sqrt{3}} \cdot \left( \frac{100}{0.92 \cdot 85} \right) \cdot \sqrt{1 - \left( \frac{\sqrt{2} \cdot 8 \cdot 85}{3 \cdot \pi \cdot 400} \right)^2} = 1.27 \text{ A}$$

The MOSFET maximum voltage is equal to  $V_{OVP}$  (421 V) plus the overshoot caused by parasitic contributions. For this evaluation board, the maximum voltage is 450 V. A 560 V MOSFET provides a 20% derating factor. The SPP12N50C3 (11.6 A/560 V) MOSFET is selected for this design.

4. The current sense resistor ( $R_{sense}$ ) limits the maximum inductor peak current of the MOSFET and is calculated using Equation 17:

$$R_{sense} = \frac{V_{ILIM}}{I_{L(peak)}} \quad (\text{eq. 17})$$

Where  $V_{ILIM}$  is specified in the NCP1608 datasheet.

## NCP1608BOOSTGEVB

$$R_{\text{sense}} = \frac{0.5}{3.62} = 0.138 \Omega$$

The current sense resistor is selected as 0.125  $\Omega$  for decreased power dissipation. The resulting maximum inductor peak current is 4 A. Since the MOSFET continuous current rating is 7 A (for  $T_C = 100^\circ\text{C}$  as specified in the manufacturer's datasheet) and the inductor saturation current is 4.7 A, the maximum peak inductor current of 4 A is sufficiently low.

The power dissipated by  $R_{\text{sense}}$  is calculated using Equation 18:

$$P_{R_{\text{sense}}} = I_{M(\text{RMS})}^2 \cdot R_{\text{sense}} \quad (\text{eq. 18})$$

$$P_{R_{\text{sense}}} = 1.27^2 \cdot 0.125 = 0.202 \text{ W}$$

5. The output capacitor ( $C_{\text{bulk}}$ ) rms current is calculated using Equation 19:

$$I_{C(\text{RMS})} = \sqrt{\frac{\sqrt{2} \cdot 32 \cdot P_{\text{out}}^2}{9 \cdot \pi \cdot V_{\text{ac}} \cdot V_{\text{out}} \cdot \eta^2} - I_{\text{load}(\text{RMS})}^2} \quad (\text{eq. 19})$$

$$I_{C(\text{RMS})} = \sqrt{\frac{\sqrt{2} \cdot 32 \cdot 100^2}{9 \cdot \pi \cdot 85 \cdot 400 \cdot 0.92^2} - 0.25^2} = 0.7 \text{ A}$$

The value of  $C_{\text{bulk}}$  is calculated in Step 5 to ensure a ripple voltage that is sufficiently low to not trigger OVP. The value of  $C_{\text{bulk}}$  may need to be increased so that the rms current does not exceed the ratings of  $C_{\text{bulk}}$ .

The voltage rating of  $C_{\text{bulk}}$  is required to be greater than  $V_{\text{out}(\text{OVP})}$ . Since  $V_{\text{out}(\text{OVP})}$  is 421 V,  $C_{\text{bulk}}$  is selected to have a voltage rating of 450 V.

### DESIGN STEP 7: Supply $V_{\text{CC}}$ Voltage

The typical method to charge the  $V_{\text{CC}}$  capacitor ( $C_{V_{\text{CC}}}$ ) to  $V_{\text{CC}(\text{on})}$  is to connect a resistor between  $V_{\text{in}}$  and  $V_{\text{CC}}$ . The low startup current consumption of the NCP1608 enables most of the resistor current to charge  $C_{V_{\text{CC}}}$  during startup. The low startup current consumption enables faster startup times and reduces standby power dissipation. The startup time ( $t_{\text{startup}}$ ) is approximated with Equation 20:

$$t_{\text{startup}} = \frac{C_{V_{\text{CC}}} \cdot V_{\text{CC}(\text{on})}}{\frac{\sqrt{2} \cdot V_{\text{ac}}}{R_{\text{start}}} - I_{\text{CC}(\text{startup})}} \quad (\text{eq. 20})$$

Where  $I_{\text{CC}(\text{startup})} = 24 \mu\text{A}$  (typical).

If  $C_{V_{\text{CC}}}$  is selected as a 47  $\mu\text{F}$  capacitor and  $R_{\text{start}}$  is selected as 660 k $\Omega$ ,  $t_{\text{startup}}$  is equal to:

$$t_{\text{startup}} = \frac{47 \mu \cdot 12}{\frac{\sqrt{2} \cdot 85}{660 \text{ k}} - 24 \mu} = 3.57 \text{ s}$$

Once  $V_{\text{CC}}$  reaches  $V_{\text{CC}(\text{on})}$ , the internal references and logic of the NCP1608 turn on. The NCP1608 includes an undervoltage lockout (UVLO) feature that ensures that the NCP1608 remains enabled unless  $V_{\text{CC}}$  decreases to less than  $V_{\text{CC}(\text{off})}$ . This hysteresis ensures sufficient time for another supply to power  $V_{\text{CC}}$ .

The ZCD winding is a possible solution, but the voltage induced on the winding may be less than the required voltage. An alternative is to implement a charge pump to supply  $V_{\text{CC}}$ . A schematic is illustrated in Figure 7.

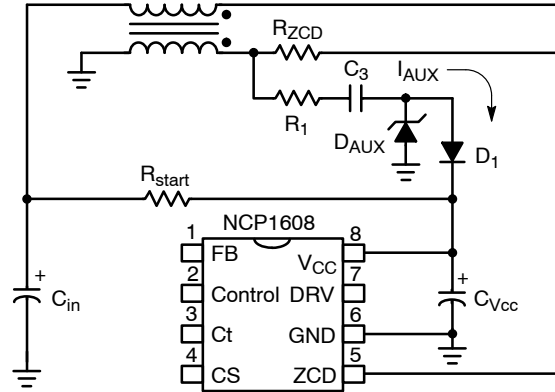


Figure 7. The ZCD Winding Supplies  $V_{\text{CC}}$  using a Charge Pump Circuit

$C_3$  stores the energy for the charge pump.  $R_1$  limits the current by reducing the rate of voltage change.  $D_{\text{AUX}}$  supplies current to  $C_3$  when its cathode is negative. When its cathode is positive it limits the maximum voltage applied to  $V_{\text{CC}}$ .

The voltage change across  $C_3$  over one period is calculated using Equation 21:

$$\Delta V_{C_3} = \frac{V_{\text{out}}}{N} - V_{\text{CC}} \quad (\text{eq. 21})$$

The current that charges  $C_{V_{\text{CC}}}$  is calculated using Equation 22:

$$I_{\text{AUX}} = C_3 \cdot f_{\text{SW}} \cdot \Delta V_{C_3} = C_3 \cdot f_{\text{SW}} \cdot \left( \frac{V_{\text{out}}}{N} - V_{\text{CC}} \right) \quad (\text{eq. 22})$$

For off-line ac-dc applications that require PFC, a 2-stage approach is typically used. The first stage is the CrM boost PFC. This supplies the 2nd stage, which is traditionally an isolated flyback or forward converter. This solution is cost-effective and exhibits excellent performance. During low output power conditions the PFC stage is not required and reduces efficiency. Advanced controllers, such as the NCP1230 and NCP1381 detect the low output power condition and shut down the PFC stage by removing PFC( $V_{\text{CC}}$ ) (Figure 8).

# NCP1608BOOSTGEVB

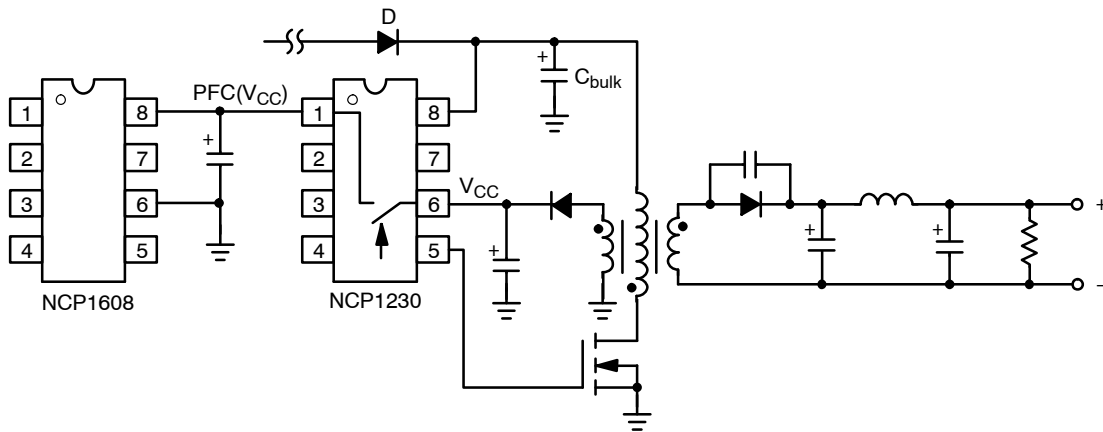


Figure 8. Using the SMPS Controller to Supply Power to the NCP1608

## DESIGN STEP 8: Limit the Inrush Current

The sudden application of the ac line voltage to the PFC pre-converter causes an inrush current and a resonant voltage overshoot that is several times the normal value. Resizing the power components to handle inrush current and a resonant voltage overshoot is cost prohibitive.

### 1. External Inrush Current Limiting Resistor

A NTC (negative temperature coefficient) thermistor connected in series with the diode limits the inrush current (Figure 9). The resistance of the NTC decreases from a few ohms to a few milliohms as the NTC is heated by the  $I^2R$  power dissipation. However, an NTC resistor may not be sufficient to protect the inductor and  $C_{bulk}$  from inrush current during a brief interruption of the ac line voltage, such as during ac line dropout and recovery.

### 2. Startup Bypass Rectifier

A rectifier is connected from  $V_{in}$  to  $V_{out}$  (Figure 10). This bypasses the inductor and diverts the startup current directly to  $C_{bulk}$ .  $C_{bulk}$  is charged to the peak ac line voltage without resonant overshoot and without excessive inductor current. After startup,  $D_{bypass}$  is reverse biased and does not interfere with the boost converter.

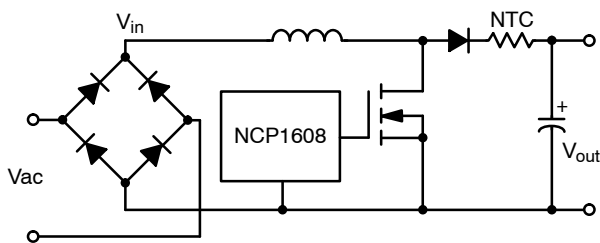


Figure 9. Use a NTC to Limit the Inrush Current Through the Inductor

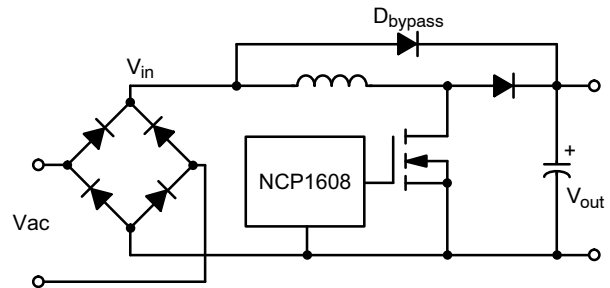


Figure 10. Use a Second Diode to Route the Inrush Current Away from the Inductor

## DESIGN STEP 9: Develop the Compensation Network

The pre-converter is compensated to ensure stability over the input voltage and output power range. To compensate the loop, a compensation network is connected between the Control and ground pins. To ensure high PF, the bandwidth of the loop is set below 20 Hz. A type 2 compensation network is selected for this design to increase the phase margin. The type 2 compensation network is shown in Figure 11.

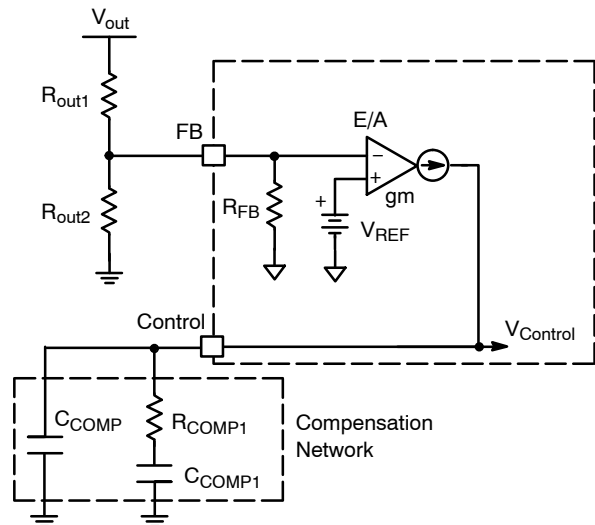


Figure 11. Type 2 Compensation Network



## NCP1608BOOSTGEVB

The type 2 network is composed of  $C_{COMP}$ ,  $C_{COMP1}$ , and  $R_{COMP1}$ .  $C_{COMP1}$  sets the crossover frequency ( $f_{CROSS}$ ) and is calculated using Equation 23:

$$C_{COMP1} = \frac{gm}{2 \cdot \pi \cdot f_{CROSS}} \quad (\text{eq. 23})$$

For this design,  $f_{CROSS}$  is set to 5 Hz at the average input voltage (175 Vac) to decrease THD and  $gm$  is specified in the NCP1608 datasheet:

$$C_{COMP1} = \frac{110 \mu}{2 \cdot \pi \cdot 5} = 3.5 \mu\text{F}$$

A normalized value of  $3.3 \mu\text{F}$  is selected, which sets  $f_{CROSS}$  to 5.3 Hz.

The addition of  $R_{COMP1}$  causes a zero in the loop response. The zero frequency ( $f_{zero}$ ) is typically set to half the crossover frequency, which is 2.5 Hz for this case.  $R_{COMP1}$  is calculated using Equation 24:

$$R_{COMP1} = \frac{1}{2 \cdot \pi \cdot f_{zero} \cdot C_{COMP}} \quad (\text{eq. 24})$$

$$R_{COMP1} = \frac{1}{2 \cdot \pi \cdot 2.5 \cdot 3.3 \mu} = 19.3 \text{ k}\Omega$$

$R_{COMP1}$  is selected as 20 k $\Omega$ .

$C_{COMP}$  is used to filter high frequency noise and is set to between 1/10 and 1/5 of  $C_{COMP1}$ . For this design,  $C_{COMP}$  is selected to be 1/5 of  $C_{COMP1}$ .

$$C_{COMP} = \left(\frac{1}{5}\right) \cdot 3.3 \mu = 0.66 \mu\text{F}$$

$C_{COMP}$  is selected as 0.68  $\mu\text{F}$ .

The phase margin and crossover frequency change with the ac line voltage. It is critical that the gain and phase are measured for all operating conditions. The measurement setup using a network analyzer is shown in Figure 12.

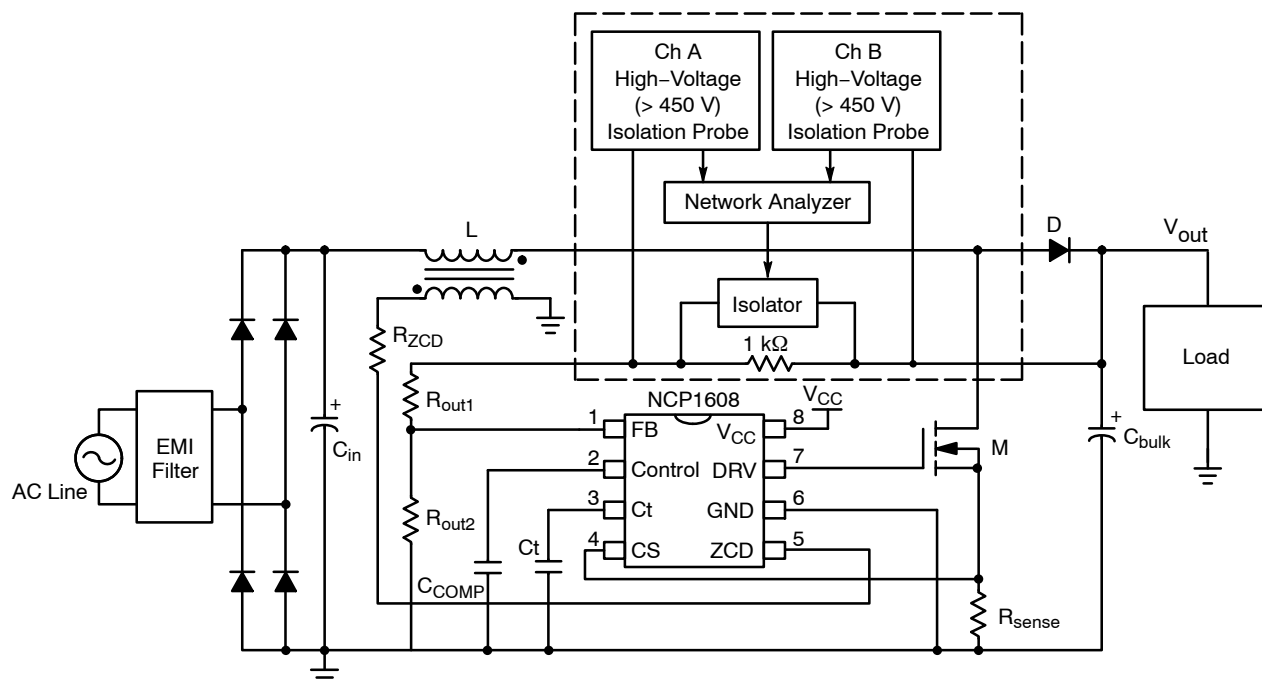


Figure 12. Gain-Phase Measurement Setup for a Boost PFC Pre-Converter

There is a tradeoff of transient response for PF and THD. The low bandwidth of the feedback loop reduces the Control pin ripple voltage. The reduction of the Control pin ripple voltage increases PF and reduces THD, but increases the magnitude of overshoots and undershoots.

### Additional THD Reduction

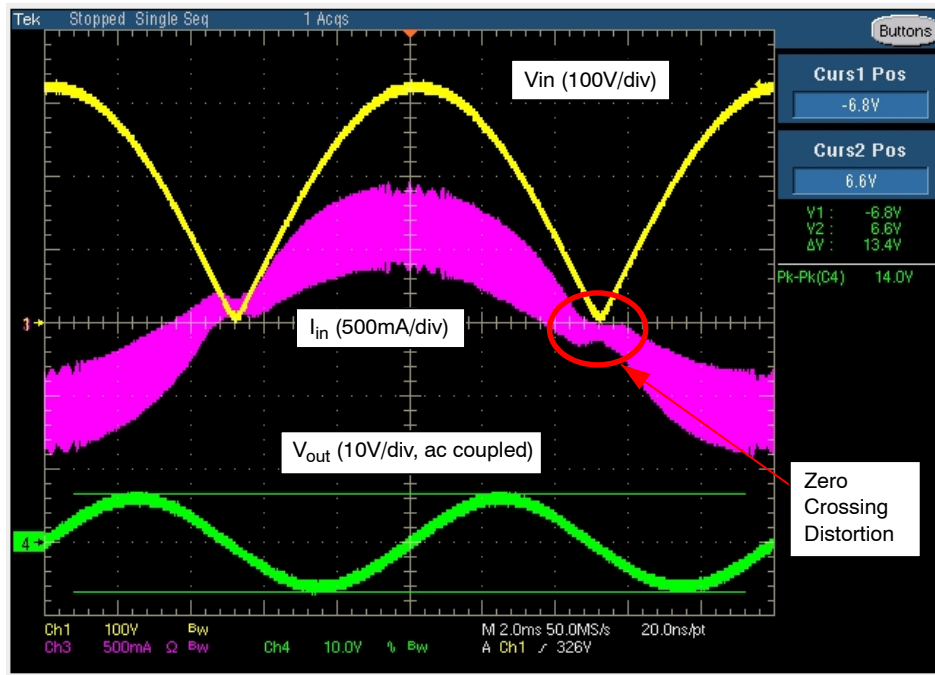
The constant on time architecture of the NCP1608 provides flexibility in optimizing each design.

The following design guidelines provide methods to further improve PF and THD.

### 1. Improve the THD/PF at Maximum Output Power by Increasing the On Time at the Zero Crossing:

One disadvantage of constant on time CrM control is that at the zero crossing of the ac line, the instantaneous input voltage is not large enough to store sufficient energy in the inductor during the constant on time. Minimal energy is processed and “zero crossing distortion” is produced as shown in Figure 13.

# NCP1608BOOSTGEVB



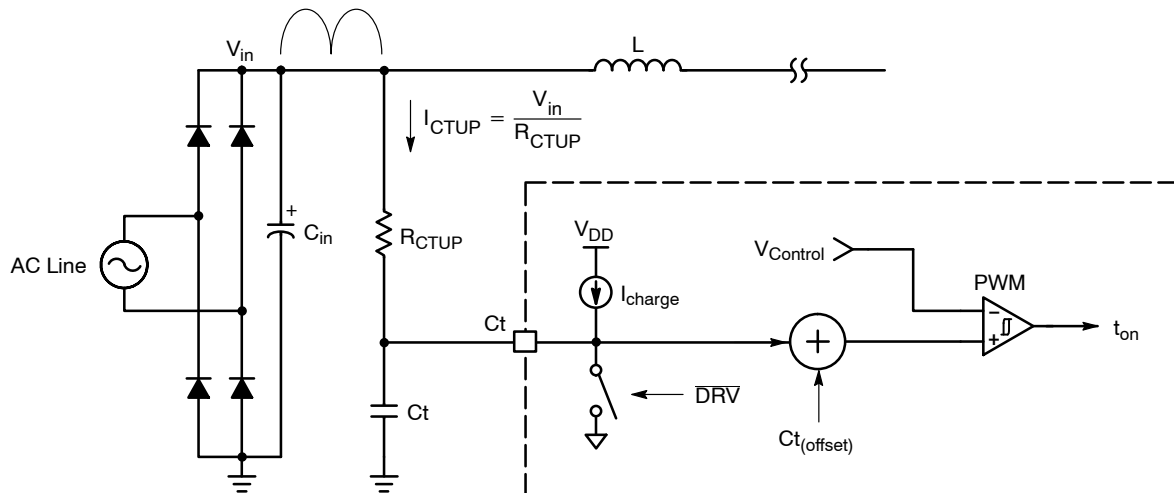
**Figure 13. Full Load Input Current ( $V_{in} = 230 \text{ Vac } 50 \text{ Hz}$ ,  $I_{out} = 250 \text{ mA}$ )**

The zero crossing distortion increases the THD and decreases the PF of the pre-converter. To meet IEC61000-3-2 requirements, this is generally not an issue as the NCP1608 reduces input current distortion with sufficient margin. If improved THD or PF is required, then zero crossing distortion must be reduced. To reduce the zero crossing distortion, the on time is increased as the instantaneous input voltage is decreasing to zero. This increases the time for the inductor current to build up and

reduces the instantaneous input voltage at which the distortion begins.

This method is implemented by connecting a resistor from  $V_{in}$  to  $C_t$  as shown in Figure 14. The resistor current ( $I_{CTUP}$ ) is proportional to the instantaneous line voltage and is summed with  $I_{charge}$  to increase the charging current of  $C_t$ .

$I_{CTUP}$  is maximum at the peak of  $V_{in}$  and is approximately zero at the zero crossing.



**Figure 14. Add  $R_{CTUP}$  to Modulate the On Time and Reduce Zero Crossing Distortion**

The increased charging current at the peak of  $V_{in}$  enables the increased sizing of the  $C_t$  capacitor without reducing the control range at  $V_{acHL}$  or low output power. The larger value of the  $C_t$  capacitor increases the on time near the zero crossing and reduces the zero crossing distortion as shown

in Figure 15. This reduces the frequency variation over the ac line cycle. The tradeoff is that the standby power dissipation is increased by  $R_{CTUP}$ . The designer must balance the desired THD and PF performance with the standby power dissipation requirements.

# NCP1608BOOSTGEVB

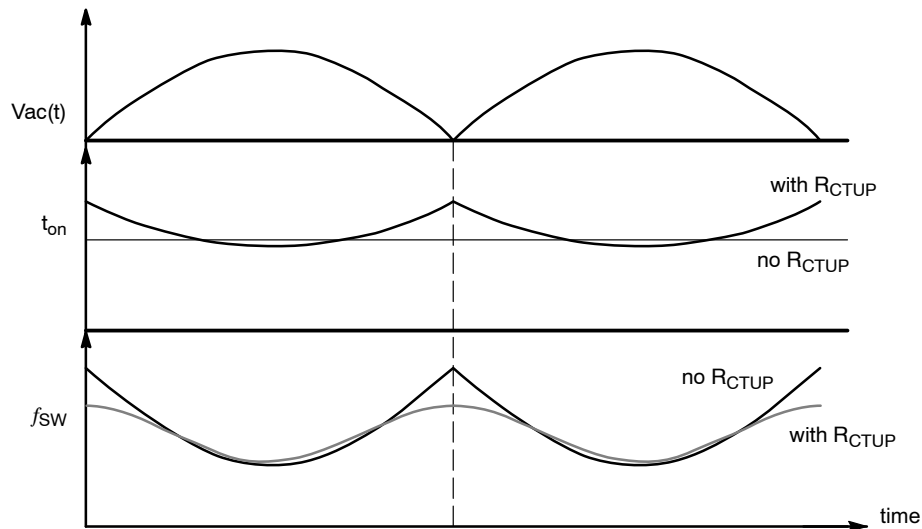


Figure 15. On Time and Switching Frequency With and Without  $R_{CTUP}$

The dependency of THD on  $R_{CTUP}$  is illustrated in Figure 16.

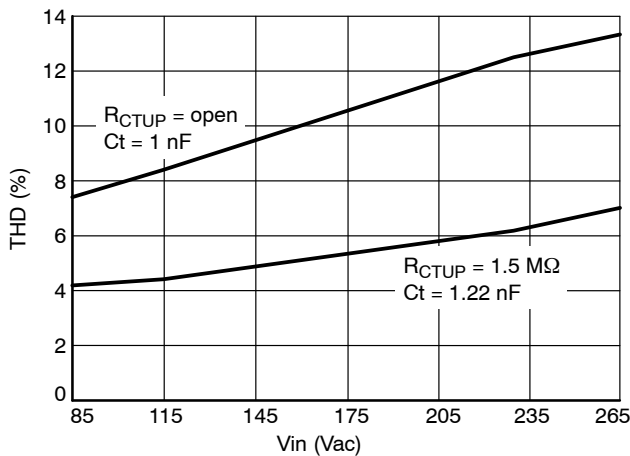


Figure 16. Dependency of THD on  $R_{CTUP}$  ( $I_{out} = 250 \text{ mA}$ )

## 2. Improve the THD/PF at Maximum Input Voltage or Low Output Current:

If the required on time at maximum input voltage or low output current is less than the minimum on time ( $t_{PWM}$ ), then DRV pulses must be skipped to prevent excessive power delivery to the output. This results in the following sequence:

1. The excessive on time causes  $V_{Control}$  to decrease to  $C_{t(offset)}$ .
2. When  $V_{Control} < C_{t(offset)}$ , the drive is disabled.
3. The drive is disabled and  $V_{out}$  decreases.
4. As  $V_{out}$  decreases,  $V_{Control}$  increases.
5. The sequence repeats. Figure 17 depicts the sequence:

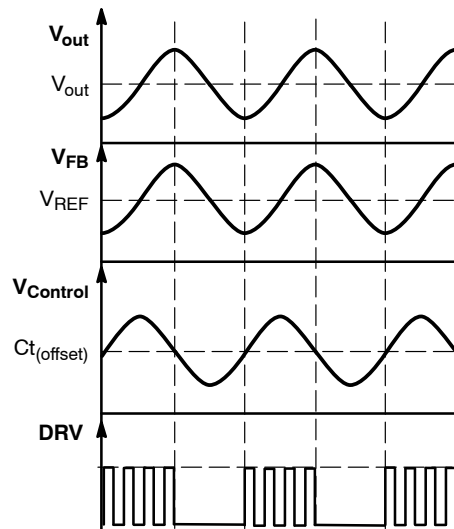
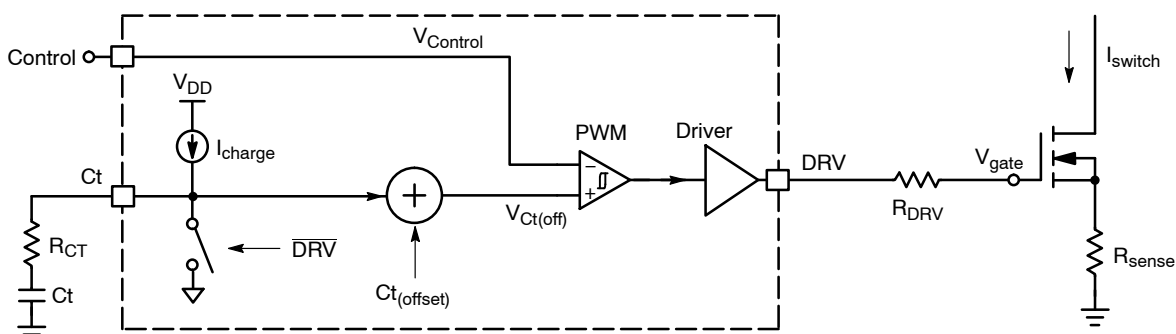


Figure 17. Required On Time Less Than the Minimum On Time

This sequence increases the input current distortion. There are two solutions to improve THD/PF at maximum input voltage or low output current:

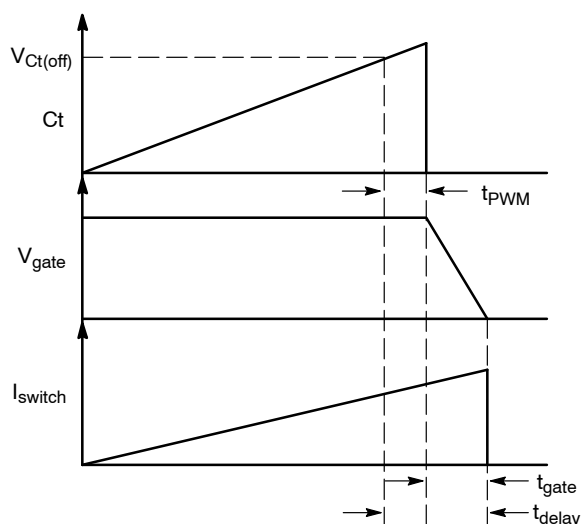
1. Properly size the  $C_t$  capacitor. As previously mentioned, the  $C_t$  capacitor is sized to set the maximum on time for minimum line input voltage and maximum output power. Sizing  $C_t$  to an excessively large value reduces the control range at  $V_{acHL}$  or low output power.
2. Compensate for propagation delays. If optimizing the  $C_t$  capacitor does not achieve the desired performance, then it may be necessary to compensate for the PWM propagation delay by connecting a resistor ( $R_{CT}$ ) in series with  $C_t$ . When the  $C_t$  voltage reaches the  $V_{Control}$  setpoint, the PWM comparator sends a signal to end the on time of the driver as shown in Figure 18.

## NCP1608BOOSTGEVB



**Figure 18. Block Diagram of the Propagation Delay Components**

There is a delay ( $t_{\text{delay}}$ ) from when  $V_{\text{Ct(off)}}$  is reached to when the MOSFET completely turns off.  $t_{\text{delay}}$  is caused by the propagation delay of the PWM comparator ( $t_{\text{PWM}}$ ) and the time for the gate voltage of the MOSFET to decrease to zero ( $t_{\text{gate}}$ ). The delays are illustrated in Figure 19.



**Figure 19. Turn Off Propagation Delays**

The total delay is calculated using Equation 25:

$$t_{\text{delay}} = t_{\text{PWM}} + t_{\text{gate}} \quad (\text{eq. 25})$$

$t_{\text{delay}}$  increases the effective on time of the MOSFET.

If a resistor ( $R_{\text{CT}}$ ) is connected in series with the  $C_{\text{T}}$  capacitor, then the total on time reduction is calculated using Equation 26:

$$\Delta t_{\text{on}} = C_{\text{T}} \cdot \frac{\Delta V_{\text{RCT}}}{\Delta I_{\text{RCT}}} = C_{\text{T}} \cdot R_{\text{CT}} \quad (\text{eq. 26})$$

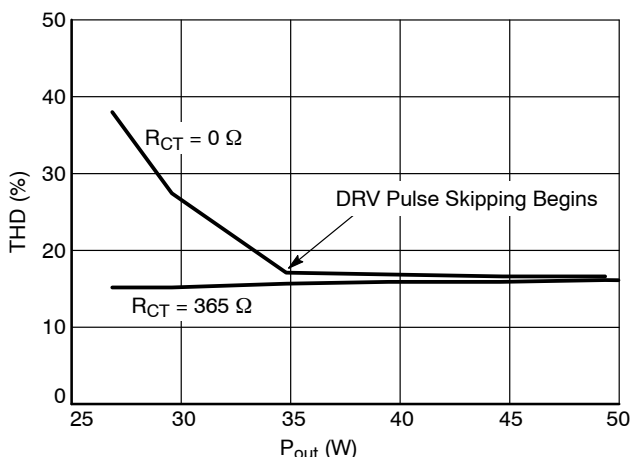
The value of  $R_{\text{CT}}$  to compensate for the propagation delay is calculated using Equation 27:

$$R_{\text{CT}} = \frac{t_{\text{delay}}}{C_{\text{T}}} \quad (\text{eq. 27})$$

The NCP1608 datasheet specifies the maximum  $t_{\text{PWM}}$  as 130 ns.  $t_{\text{gate}}$  is a dependent on the gate charge of the MOSFET and  $R_{\text{DRV}}$ . For this demo board, the gate delay is measured as 230 ns.

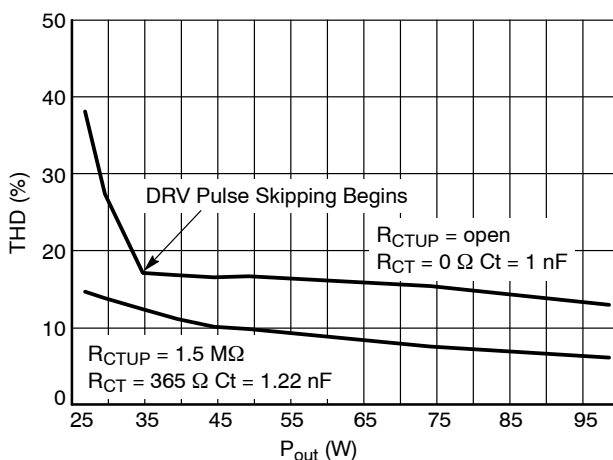
$$R_{\text{CT}} = \frac{360 \text{ n}}{1 \text{ n}} = 360 \Omega$$

A value of  $R_{\text{CT}} = 365 \Omega$  compensates for the propagation delays. Figure 20 shows the decrease of THD at  $V_{\text{acHL}}$  and low output power by compensating for the propagation delay.



**Figure 20. Low Output Power THD Reduction with  $R_{\text{CT}}$  ( $V_{\text{in}} = 265 \text{ Vac } 50 \text{ Hz}$ ,  $R_{\text{CTUP}} = \text{open}$ ,  $C_{\text{T}} = 1 \text{ nF}$ )**

Both THD reduction techniques can be combined to decrease the THD for the entire output power range. Figure 21 shows the decreased THD at the maximum input voltage across the output power range by decreasing zero crossing distortion and by compensating for the propagation delay.

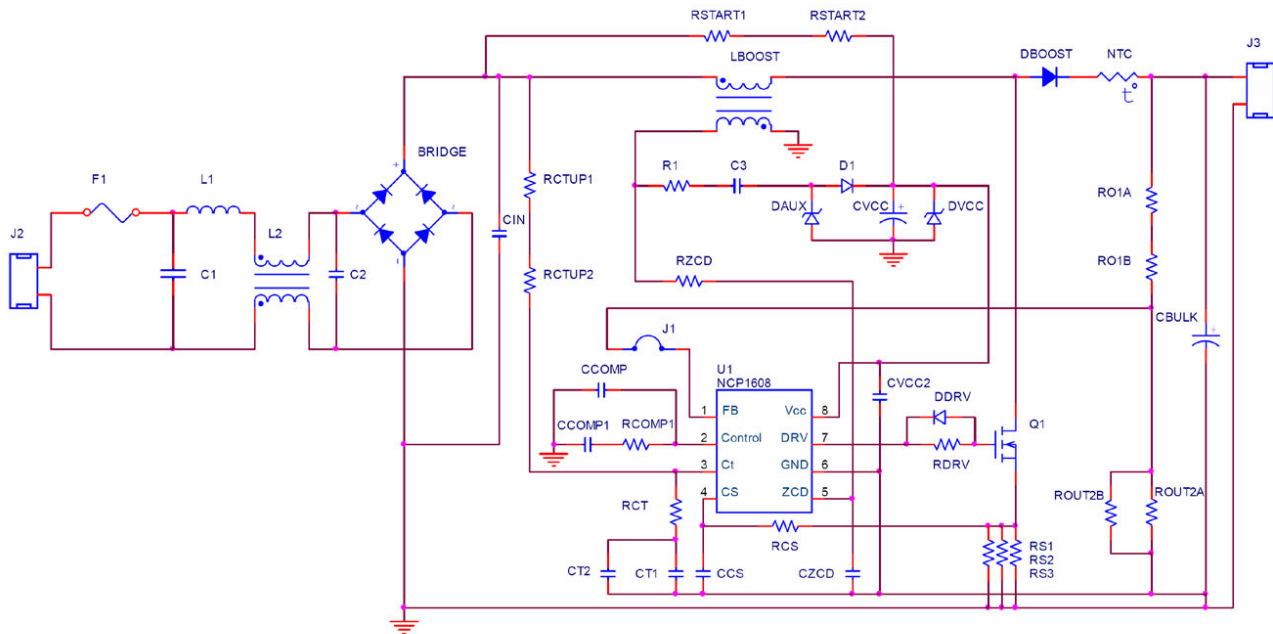


**Figure 21. THD Reduction with  $R_{\text{CTUP}}$  and  $R_{\text{CT}}$  ( $V_{\text{in}} = 265 \text{ Vac } 50 \text{ Hz}$ )**

# NCP1608BOOSTGEVB

## Design Results

The completed evaluation board schematic is shown in Figure 22.



**Figure 22. NCP1608BOOSTGEVB Evaluation Board Schematic**

The bill of materials (BOM), layout, and summary of boost equations are shown in Appendix 1, Appendix 2, and Appendix 3 respectively. This pre-converter exhibits excellent THD (Figure 23 and Figure 24), PF (Figure 25), and efficiency (Figure 26). All measurements are performed with the following conditions:

- After the board is operated at full load and minimum line input voltage for 30 minutes
- At an ambient temperature of 25°C, open frame, and without forced air flow

- The input power, PF, and THD are measured using a PM3000A power meter
- The output voltage is measured using a HP34401A multimeter
- The output current is set using a PLZ1003WH electronic load
- The output current is measured using a HP34401A multimeter
- The output power is calculated by multiplying the output voltage and output current

# NCP1608BOOSTGEVB

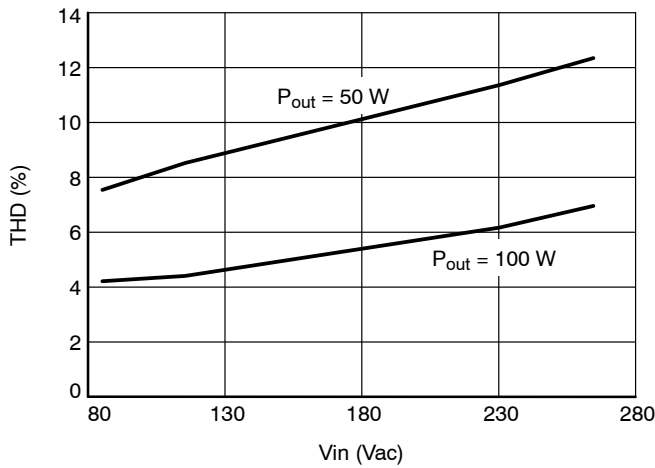


Figure 23. THD vs. Input Voltage

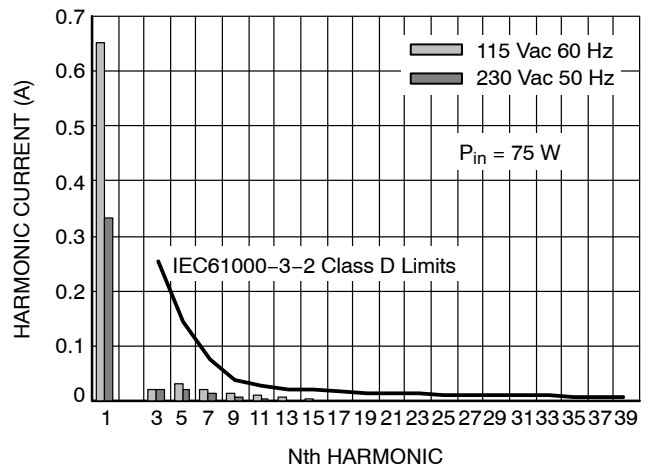


Figure 24. Individual Harmonic Current

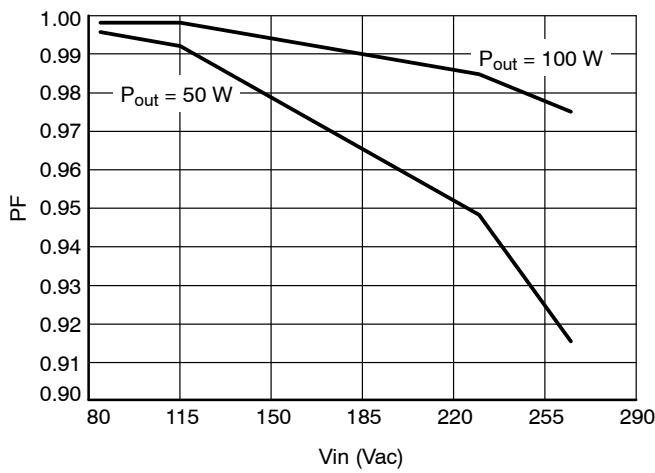


Figure 25. PF vs. Input Voltage

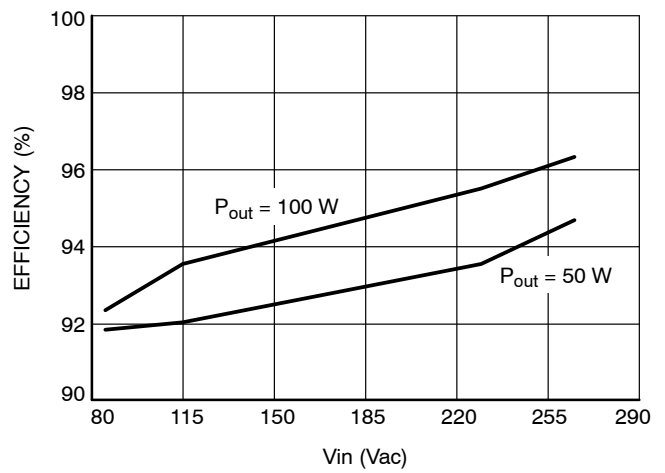


Figure 26. Efficiency vs. Input Voltage

# NCP1608BOOSTGEVB

## Input Current and Output Voltage

The input current and output voltage ripple are shown in Figure 27. The overvoltage protection is observed by starting up the pre-converter with no load as shown in

Figure 28. The NCP1608 detects an OVP fault when  $V_{out}$  reaches 421 V and restarts when  $V_{out}$  decreases to 410 V.

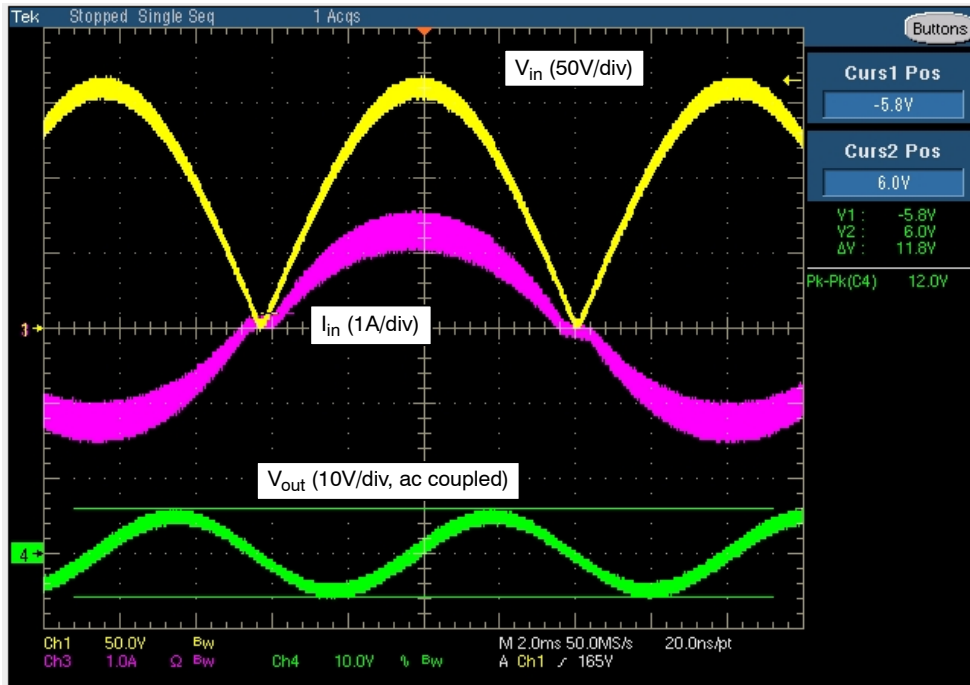


Figure 27. Input Current and Output Voltage Ripple ( $V_{in} = 115 \text{ Vac } 60 \text{ Hz}$ ,  $I_{out} = 250 \text{ mA}$ )

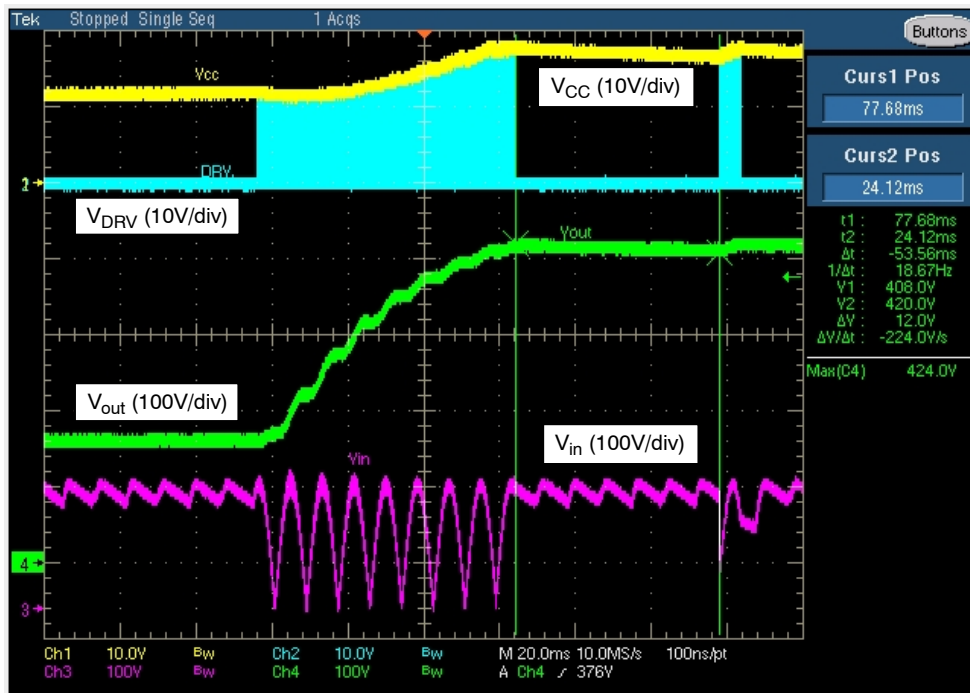


Figure 28. Startup Transient Showing OVP Detection and Recovery ( $V_{in} = 115 \text{ Vac } 60 \text{ Hz}$ ,  $I_{out} = 0 \text{ mA}$ )

# NCP1608BOOSTGEVB

## Frequency Response

The frequency response is measured at the minimum and maximum input voltages and maximum output power. Figure 29 shows that at minimum input voltage, the

crossover frequency is 2 Hz and the phase margin is 71°. Figure 30 shows that at maximum input voltage, the crossover frequency is 10 Hz and the phase margin is 53°.

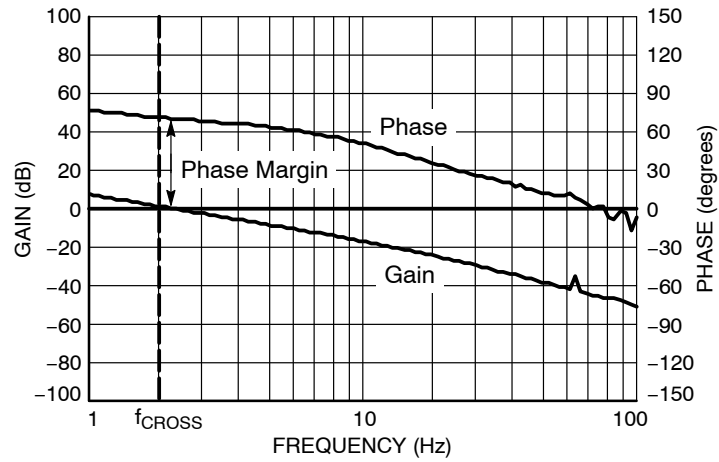


Figure 29. Frequency Response  $V_{in} = 85 \text{ Vac}$  60 Hz  $I_{out} = 250 \text{ mA}$

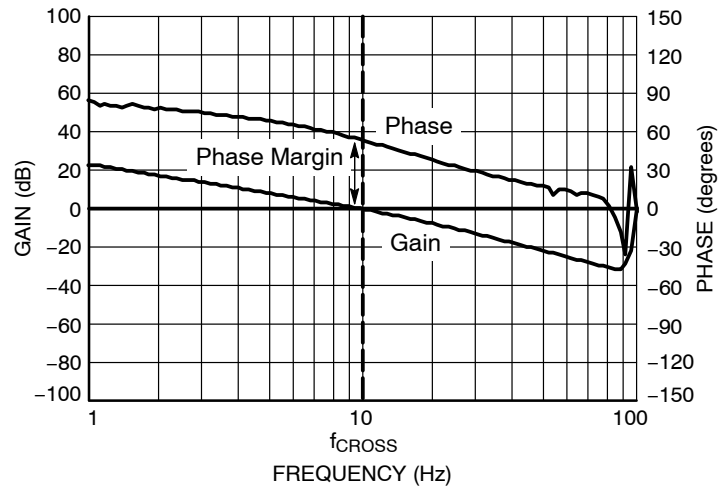


Figure 30. Frequency Response  $V_{in} = 265 \text{ Vac}$  50 Hz  $I_{out} = 250 \text{ mA}$



# NCP1608BOOSTGEVB

## Floating Pin Protection (FPP) Jumper

The evaluation board includes a jumper (J1) between the FB pin and the feedback network to demonstrate the FPP feature of the NCP1608. If J1 is removed before applying the line input voltage, the drive is never enabled as shown in

Figure 31. If J1 is removed during operation, the drive is disabled as shown in Figure 32. J1 is for FPP evaluation purposes only and should not be included in manufactured systems.

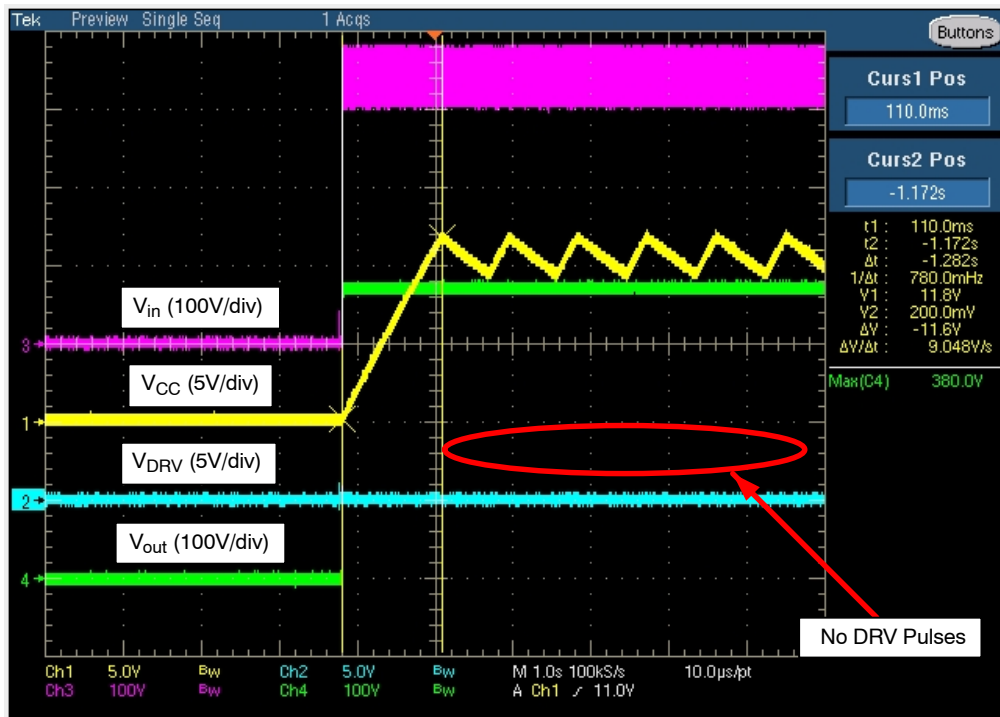


Figure 31. Startup with Jumper Removed ( $V_{in} = 265 \text{ Vac } 50 \text{ Hz}$ ,  $I_{out} = 0 \text{ mA}$ )

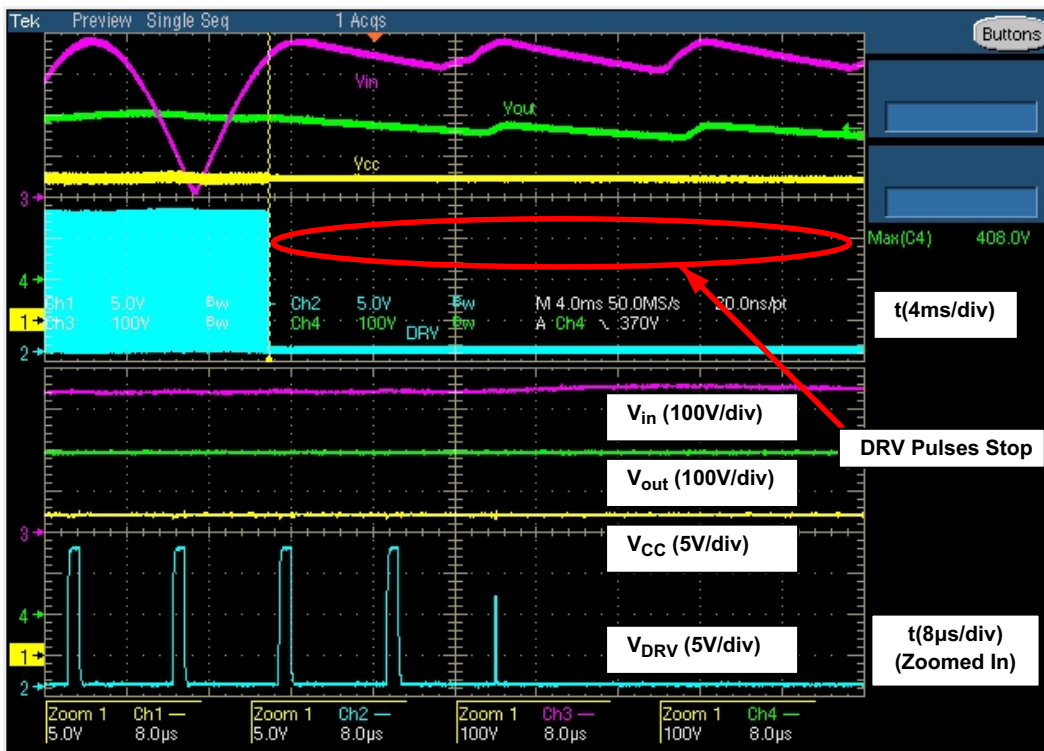


Figure 32. Removing the Jumper During Operation ( $V_{in} = 265 \text{ Vac } 50 \text{ Hz}$ ,  $I_{out} = 250 \text{ mA}$ )

# NCP1608BOOSTGEVB

The evaluation board can be configured for THD reduction or power dissipation reduction. Table 3 shows the configuration results.

**Table 3. EVALUATION BOARD CONFIGURATION RESULTS**

R <sub>CTUP</sub>	C <sub>t</sub> (R <sub>CT</sub> = 0 Ω)	Shutdown Power Dissipation (V <sub>FB</sub> = 0 V) (V <sub>in</sub> = 265 Vac 50 Hz)	Efficiency (P <sub>out</sub> = 100 W)		THD (P <sub>out</sub> = 100 W)	
			115 Vac 60 Hz	230 Vac 50 Hz	115 Vac 60 Hz	230 Vac 50 Hz
open	1 nF	224 mW	93.5%	95.7%	8.4%	12.5%
1.5 MΩ	1.22 nF	294 mW	93.5%	95.5%	4.4%	6.2%

## Safety Precautions

Since the FPP feature is only intended to protect the system in the case of a floating FB pin, care must be taken when removing the jumper. **Do not attach any wires to the jumper pins with the jumper removed.** Connecting wires to the FB pin couples excessive noise to the FB pin. This prevents the correct operation of FPP and causes maximum power to be delivered to the output. This can cause excessive voltage to be applied to C<sub>bulk</sub>. **Always wear proper eye protection when the jumper is removed.**

The jumper is located next to high voltage components. Do not remove the jumper during operation with bare fingers or non-insulated metal tools.

## Layout Considerations

Careful consideration must be given to the placement of components during layout of switching power supplies. Noise generated by the large voltages and currents can be coupled to the pins of the NCP1608. The following guidelines reduce the probability of excessive coupling:

- Place the following components as close as possible to the NCP1608:
  - C<sub>t</sub> capacitor
  - V<sub>CC</sub> decoupling capacitor
  - Control pin compensation components
- Minimize trace length, especially for high current loops.
- Use wide traces for high current connections.
- Use a single point ground connection between power ground and signal ground.

The evaluation board includes the following unpopulated footprints to enable user experimentation:

- CCS to add a decoupling capacitor to the CS pin.
- CZCD to add a decoupling capacitor to the ZCD pin.
- DDRV to add a diode for faster turn off of Q1.
- DVCC to add a diode to clamp V<sub>CC</sub>.
- ROUT2B to add a resistor for a more accurate output voltage.
- RS3 to add a resistor for a more accurate inductor peak current limit or to reduce the heating of the current sense resistors.

## Summary

A universal input voltage 100 W converter is designed using the boost topology. The converter is implemented with the NCP1608. Over the input voltage range and with an output power of 100 W, the PF, THD, and efficiency are measured as greater than 0.97, less than 8%, and greater than 92% respectively. The converter complies with IEC61000-3-2 Class D limits for an input power of 75 W. The converter is stable over the input voltage range with a measured phase margin greater than 50 degrees. Finally, the overvoltage protection and floating pin protection features protect the converter from excessive output voltage.

The evaluation board is designed to showcase the features and flexibility of the NCP1608. This design is a guideline only and does not guarantee performance for any manufacturing or production purposes.

# NCP1608BOOSTGEVB

**Table 4. BILL OF MATERIALS\***

Designator	Qty	Description	Value	Tolerance	Footprint	Manufacturer	Manufacturer Part Number	Substitution Allowed
BRIDGE	1	Bridge Rectifier, 4 A, 600 V	-	-	KBL	Vishay	KBL06-E4/51	Yes
C1, C2	2	Capacitor, EMI Suppression, 305 Vac	0.47 $\mu$ F	20%	Radial	EPCOS	B32923C3474M	Yes
C3	1	Capacitor, Ceramic, SMD, 50 V	8.2 nF	5%	1206	TDK Corporation	C3216C0G1H822J	Yes
CBULK	1	Capacitor, Electrolytic, 450 V	68 $\mu$ F	20%	Radial	United Chemi-Con	EKXG451ELL680MMN3S	Yes
CCOMP	1	Capacitor, Ceramic, SMD, 25 V	0.68 $\mu$ F	10%	1206	TDK Corporation	C3216X7R1E684K	Yes
CCOMP1	1	Capacitor, Ceramic, SMD, 25 V	3.3 $\mu$ F	10%	1206	TDK Corporation	C3216X7R1E335K	Yes
CCS, CZCD	2	Capacitor, Ceramic, SMD	open	-	1206	-	-	-
CIN	1	Capacitor, EMI Suppression, 305 Vac	0.1 $\mu$ F	20%	Radial	EPCOS	B32921A2104M	Yes
CT1	1	Capacitor, Ceramic, SMD, 50 V	1 nF	10%	1206	Yageo	CC1206KRX7R9BB102	Yes
CT2	1	Capacitor, Ceramic, SMD, 50 V	220 pF	10%	1206	Yageo	CC1206KRX7R9BB221	Yes
CVCC	1	Capacitor, Electrolytic, 25 V	47 $\mu$ F	20%	Radial	Panasonic	EEU-FC1E470	Yes
CVCC2	1	Capacitor, Ceramic, SMD, 50 V	0.1 $\mu$ F	10%	1206	Yageo	CC1206KRX7R9BB104	Yes
D1	1	Diode, Switching, 100 V	-	-	SOD123	ON Semiconductor	MMSD4148T1G	No
DAUX	1	Diode, Zener, 18 V	-	-	SOD123	ON Semiconductor	MMSZ4705T1G	No
DBOOST	1	Diode, Ultrafast, 4 A, 600 V	-	-	Axial	ON Semiconductor	MUR460RLG	No
DDRV	1	Diode, Switching	open	-	SOD123	-	-	-
DVCC	1	Diode, Zener	open	-	SOD123	-	-	-
F1	1	Fuse, SMD, 2 A, 600 V	-	-	SMD	Littelfuse	0461002.ER	Yes
J1	1	Header 1 Row of 2, 100 mil	-	-	2.54 mm	3M	929400-01-36-RK	Yes
J2, J3	2	Connector, 156 mil 3 pin	-	-	156 mil	MOLEX	26-60-4030	Yes
L1	1	Inductor, Radial, 4 A	180 $\mu$ H	10%	Radial	Coilcraft	PCV-2-184-05L	No
L2	1	Line Filter, 2.7 A	4.7 mH	-	Through Hole	Panasonic	ELF-20N027A	Yes
LBOOST	1	Inductor, NB:NZCD = 10:1	400 $\mu$ H	-	Custom	Coilcraft	JA4224-AL	No
MECHANICAL	1	Shorting Jumper on J1	-	-	-	3M	929955-06	Yes
MECHANICAL	1	Heatsink	-	-	TO-220	Aavid	590302B03600	Yes
MECHANICAL	1	Screw, Phillips, 4-40, 1/4", Steel	-	-	-	Building Fasteners	PMSSS 440 0025 PH	Yes
MECHANICAL	1	Nut, Hex 4-40, Steel	-	-	-	Building Fasteners	HNSS440	Yes
MECHANICAL	1	Shoulder Washer #4, Nylon	-	-	-	Keystone	3049	Yes
MECHANICAL	1	TO-220 Thermal Pad, 9 mil	-	-	-	Wakefield	173-9-240P	Yes
MECHANICAL	4	Standoffs, Hex 4-40, 0.75", Nylon	-	-	-	Keystone	4804K	Yes
MECHANICAL	4	Nut, Hex 4-40, Nylon	-	-	-	Building Fasteners	NY HN 440	Yes

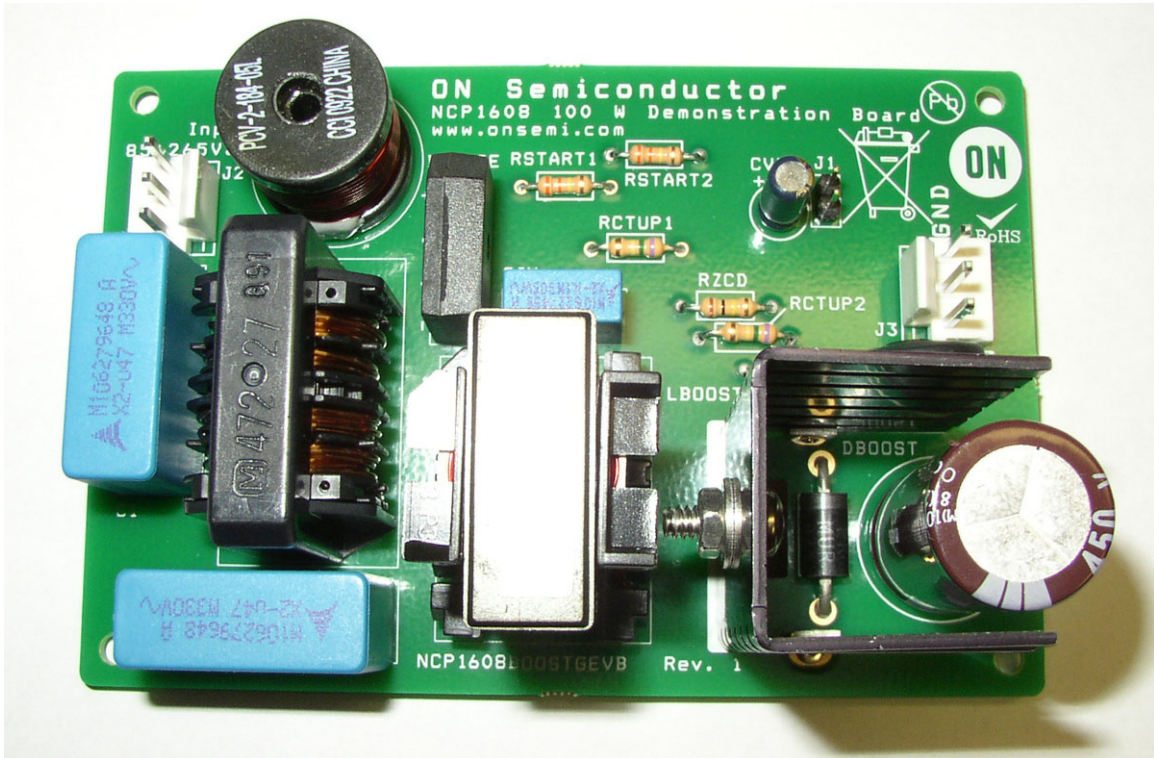
\*All products listed are Pb-free

# NCP1608BOOSTGEVB

**Table 4. BILL OF MATERIALS\***

Designator	Qty	Description	Value	Tolerance	Footprint	Manufacturer	Manufacturer Part Number	Substitution Allowed
NTC	1	Thermistor, Inrush Current Limiter	4.7 Ω	20%	Radial	EPCOS	B57238S479M	Yes
Q1	1	MOSFET, N-Channel, 11.6 A, 560 V	-	-	TO-220	Infineon	SPP12N50C3	Yes
R1	1	Resistor, SMD	100 Ω	1%	1206	Vishay	CRCW1206100RFKEA	Yes
RCOMP1	1	Resistor, SMD	20 kΩ	1%	1206	Vishay	CRCW120620K0FKEA	Yes
RCS	1	Resistor, 0.25 W Axial	510 Ω	5%	Axial	Yageo	CFR-25JB-510R	Yes
RCT	1	Resistor, SMD	0 Ω	1206	Vishay	CRCW12060000Z0EA	Yes	
RCTUP1, RCTUP2	2	Resistor, 0.25 W Axial	750 kΩ	5%	Axial	Yageo	CFR-25JB-750K	Yes
RDRV	1	Resistor, SMD	10 Ω	1%	1206	Vishay	CRCW120610R0FKEA	Yes
RO1A, RO1B	2	Resistor, SMD	2 MΩ	1%	1206	Vishay	CRCW12062M00FKEA	Yes
ROUT2A	1	Resistor, SMD	25.5 kΩ	1%	1206	Vishay	CRCW120625K5FKEA	Yes
ROUT2B	1	Resistor, SMD	open	-	1206	-	-	-
RS1, RS2	2	Resistor, SMD, 1 W	0.25 Ω	1%	2512	Vishay	WSL2512R2500FEA	Yes
RS3	1	Resistor, SMD	open	-	2512	-	-	-
RSTART1, RSTART2	2	Resistor, 0.25 W Axial	330 kΩ	5%	Axial	Yageo	CFR-25JB-330K	Yes
RZCD	1	Resistor, 0.25 W Axial	100 kΩ	5%	Axial	Yageo	CFR-25JB-100K	Yes
U1	1	CrM PFC Controller	NCP1608	-	SOIC-8	ON Semiconductor	NCP1608BDR2G	No

\*All products listed are Pb-free



**Figure 33. Evaluation Board Photo**



# NCP1608BOOSTGEVB

## TEST PROCEDURE FOR THE NCP1608BOOSTGEVB EVALUATION BOARD

### Required Equipment

(\*Equivalent test equipment may be substituted.)

- \*Chroma 61604 AC Power Source
- \*Voltech PM3000A Power Analyzer
- 2× \*Agilent 34401A Multimeter
- \*Chroma 6314 Electronic Load with \*Chroma 63108 High Voltage Module
- \*Tektronix TDS5034B Oscilloscope with \*Tektronix P5205 Differential Probes

### Test Procedure

1. Ensure that there is a jumper on J1. If not, place a jumper on J1 for the remainder of the test procedure.
2. Connect the electronic load with high voltage module to the output labeled “400 V, 100 W”.
3. Connect one of the multimeters in series with the output and load and set it to measure current.
4. Connect the second multimeter to the output and set it to measure voltage.
5. Connect the oscilloscope with differential probes to the output and set it to measure output ripple and frequency.
6. Connect the ac power source and power analyzer to the terminals labeled “Input”. Set the current compliance limit to 1.8 A.
7. Set the ac power source to 85 Vac / 60 Hz.
8. Set the high voltage electronic load to 250 mA.
9. Turn the AC source on.
10. Wait 10 seconds, and then check the output voltage ( $V_{OUT}$ ) using the corresponding multimeter. Verify it is within the limits of Table 5.
11. Measure power factor (PF) and input power ( $P_{IN}$ ) using the power analyzer.
12. Measure the peak-to-peak voltage and frequency of the output ripple using the oscilloscope.
13. Measure  $I_{OUT}$  using the corresponding multimeter.
14. Calculate efficiency ( $\eta$ ) using the equation:

$$\eta = \frac{I_{OUT} \times V_{OUT}}{P_{IN}} \times 100\%$$

15. Repeat steps 9-13 with the ac source set to 115 Vac / 60 Hz, 230 Vac / 50 Hz, 265 Vac / 50 Hz. Verify the results are within the limits of Table 5.
16. Turn off the ac source.
17. Since high voltage will be present after the voltage is removed, wait for the dc voltmeter to show approximately 0 V before continuing.
18. Disconnect the ac source.
19. Disconnect the oscilloscope.
20. Disconnect the electronic load.
21. Disconnect both multimeters.
22. End of test.

**Table 5. DESIRED RESULTS**

For 85 Vac / 60 Hz input	$V_{OUT} = 397 \pm 15 \text{ V}$
	PF > 0.99
	Output Ripple Voltage < 20 V <sub>PP</sub>
	Output Ripple Frequency = 120 Hz sine wave
	$\eta > 90\%$
For 115 Vac / 60 Hz input	$V_{OUT} = 397 \pm 15 \text{ V}$
	PF > 0.99
	Output Ripple Voltage < 20 V <sub>PP</sub>
	Output Ripple Frequency = 120 Hz sine wave
	$\eta > 90\%$
For 230 Vac / 50 Hz input	$V_{OUT} = 397 \pm 15 \text{ V}$
	PF > 0.95
	Output Ripple Voltage < 20 V <sub>PP</sub>
	Output Ripple Frequency = 100 Hz sine wave
	$\eta > 90\%$
For 265 Vac / 50 Hz input	$V_{OUT} = 397 \pm 15 \text{ V}$
	PF > 0.95
	Output Ripple Voltage < 20 V <sub>PP</sub>
	Output Ripple Frequency = 100 Hz sine wave
	$\eta > 90\%$

# NCP1608BOOSTGEVB

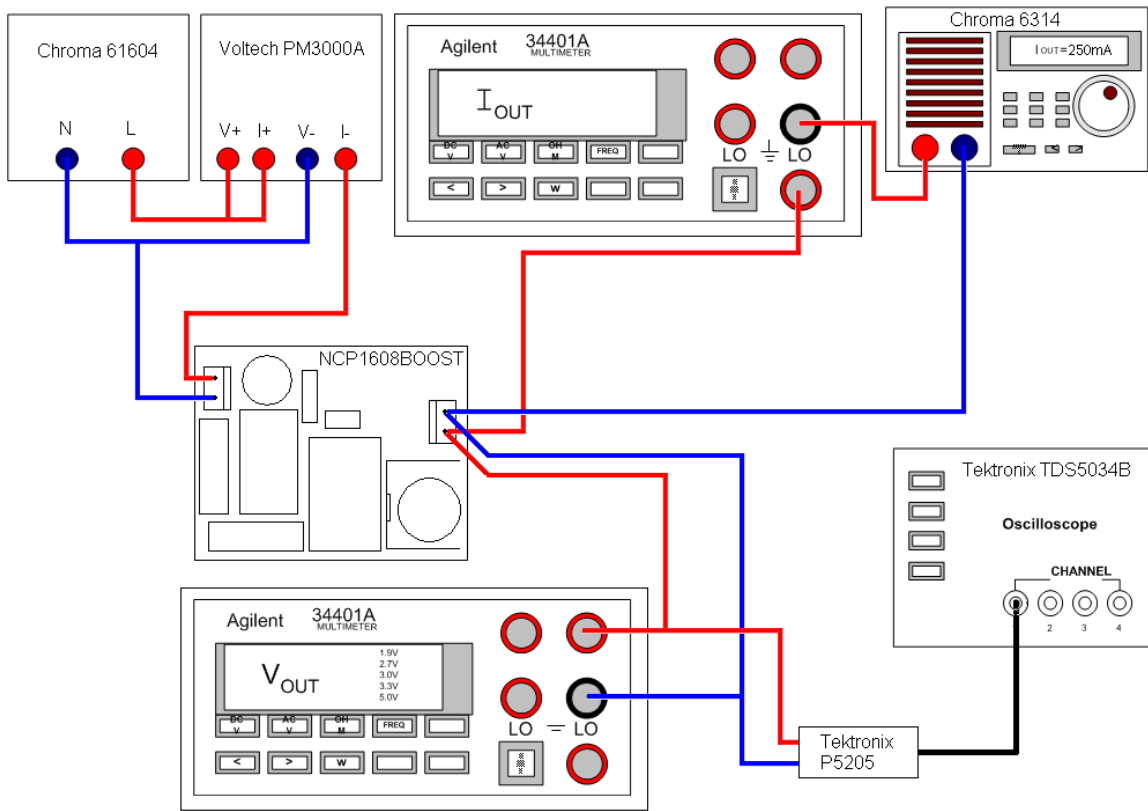


Figure 36. Test Setup

# NCP1608BOOSTGEVB

**Table 6. SUMMARY OF BOOST EQUATIONS** Components are identified in Figure 3

Input rms Current	$I_{ac} = \frac{P_{out}}{\eta \cdot V_{ac}}$	$\eta$ (the efficiency of only the PFC stage) is generally in the range of 90 – 95%. $V_{ac}$ is the rms ac line input voltage.
Inductor Peak Current	$I_{L(peak)} = \frac{\sqrt{2} \cdot 2 \cdot P_{out}}{\eta \cdot V_{ac}}$	The maximum inductor peak current occurs at the minimum line input voltage and maximum output power.
Inductor Value	$L \leq \frac{V_{ac}^2 \cdot \left( \frac{V_{out}}{\sqrt{2}} - V_{ac} \right) \cdot \eta}{\sqrt{2} \cdot V_{out} \cdot P_{out} \cdot f_{SW(MIN)}}$	$f_{SW(MIN)}$ is the minimum desired switching frequency. The maximum L is calculated at both the minimum line input voltage and maximum line input voltage.
On Time	$t_{on} = \frac{2 \cdot L \cdot P_{out}}{\eta \cdot V_{ac}^2}$	The maximum on time occurs at the minimum line input voltage and maximum output power.
Off Time	$t_{off} = \frac{t_{on}}{\frac{V_{out}}{V_{ac} \cdot  \sin \theta  \cdot \sqrt{2}} - 1}$	The off time is a maximum at the peak of the ac line voltage and approaches zero at the ac line zero crossings. Theta ( $\theta$ ) represents the angle of the ac line voltage.
Switching Frequency	$f_{SW} = \frac{V_{ac}^2 \cdot \eta}{2 \cdot L \cdot P_{out}} \cdot \left( 1 - \frac{V_{ac} \cdot  \sin \theta  \cdot \sqrt{2}}{V_{out}} \right)$	
On Time Capacitor	$C_t \geq \frac{2 \cdot P_{out} \cdot L_{MAX} \cdot I_{charge}}{\eta \cdot V_{ac_{LL}}^2 \cdot V_{Ct(MAX)}}$	Where $V_{ac_{LL}}$ is the minimum line input voltage and $L_{MAX}$ is the maximum inductor value. $I_{charge}$ and $V_{Ct(MAX)}$ are shown in the specification table.
Inductor Turns to ZCD Turns Ratio	$N_B : N_{ZCD} \leq \frac{V_{out} - (\sqrt{2} \cdot V_{ac_{HL}})}{V_{ZCD(ARM)}}$	Where $V_{ac_{HL}}$ is the maximum line input voltage. $V_{ZCD(ARM)}$ is shown in the specification table.
Resistor from ZCD Winding to the ZCD pin	$R_{ZCD} \geq \frac{\sqrt{2} \cdot V_{ac_{HL}}}{I_{ZCD(MAX)} \cdot (N_B : N_{ZCD})}$	Where $I_{ZCD(MAX)}$ is maximum rated current for the ZCD pin (10 mA).
Output Voltage and Output Divider	$V_{out} = V_{REF} \cdot \left( R_{out1} \cdot \frac{R_{out2} + R_{FB}}{R_{out2} \cdot R_{FB}} + 1 \right)$ $R_{out1} = \frac{V_{out}}{I_{bias(out)}}$ $R_{out2} = \frac{R_{out1} \cdot R_{FB}}{R_{FB} \cdot \left( \frac{V_{out}}{V_{REF}} - 1 \right) - R_{out1}}$	Where $V_{REF}$ is the internal reference voltage and $R_{FB}$ is the pull-down resistor used for FFP. $V_{REF}$ and $R_{FB}$ are shown in the specification table. $I_{bias(out)}$ is the bias current of the output voltage divider.
Output Voltage OVP Detection and Recovery	$V_{out(OVP)} = \frac{V_{OVP}}{V_{REF}} \cdot V_{REF} \cdot \left( R_{out1} \cdot \frac{R_{out2} + R_{FB}}{R_{out2} \cdot R_{FB}} + 1 \right)$ $V_{out(OVPL)} = \left( \left( \frac{V_{OVP}}{V_{REF}} \cdot V_{REF} \right) - V_{OVP(HYS)} \right) \cdot \left( R_{out1} \cdot \frac{R_{out2} + R_{FB}}{R_{out2} \cdot R_{FB}} + 1 \right)$	$V_{OVP}/V_{REF}$ and $V_{OVP(HYS)}$ are shown in the specification table.
Output Voltage Ripple and Output Capacitor Value	$V_{ripple(peak-peak)} < 2 \cdot (V_{out(OVP)} - V_{out})$ $C_{bulk} \geq \frac{P_{out}}{2 \cdot \pi \cdot V_{ripple(peak-peak)} \cdot f_{line} \cdot V_{out}}$	Where $f_{line}$ is the ac line frequency and $V_{ripple(peak-peak)}$ is the peak-to-peak output voltage ripple. Use $f_{line} = 47$ Hz for universal input worst case.
Output Capacitor rms Current	$I_{C(RMS)} = \sqrt{\frac{\sqrt{2} \cdot 32 \cdot P_{out}^2}{9 \cdot \pi \cdot V_{ac} \cdot V_{out} \cdot \eta^2} - I_{load(RMS)}^2}$	Where $I_{load(RMS)}$ is the rms load current.



## NCP1608BOOSTGEVB

**Table 6. SUMMARY OF BOOST EQUATIONS** Components are identified in Figure 3 (Continued)

Output Voltage UVP Detection	$V_{out(UVP)} = V_{UVP} \cdot \left( R_{out1} \cdot \frac{R_{out2} + R_{FB}}{R_{out2} \cdot R_{FB}} + 1 \right)$	$V_{UVP}$ is shown in the specification table.
Inductor rms Current	$I_{L(RMS)} = \frac{2 \cdot P_{out}}{\sqrt{3} \cdot Vac \cdot \eta}$	
Output Diode rms Current	$I_{D(RMS)} = \frac{4}{3} \cdot \sqrt{\frac{\sqrt{2} \cdot 2}{\pi}} \cdot \frac{P_{out}}{\eta \cdot \sqrt{Vac \cdot V_{out}}}$	
MOSFET rms Current	$I_{M(RMS)} = \frac{2}{\sqrt{3}} \cdot \left( \frac{P_{out}}{\eta \cdot Vac} \right) \cdot \sqrt{1 - \left( \frac{\sqrt{2} \cdot 8 \cdot Vac}{3 \cdot \pi \cdot V_{out}} \right)}$	
Current Sense Resistor	$R_{sense} = \frac{V_{ILIM}}{I_{L(peak)}}$ $P_{R_{sense}} = I_{M(RMS)}^2 \cdot R_{sense}$	$V_{ILIM}$ is shown in the specification table.
Type 1 Compensation	$C_{COMP} = \frac{gm}{2 \cdot \pi \cdot f_{CROSS}}$	Where $f_{CROSS}$ is the crossover frequency and is typically less than 20 Hz. gm is shown in the specification table.

**onsemi**, **Onsemi**, and other names, marks, and brands are registered and/or common law trademarks of Semiconductor Components Industries, LLC dba "**onsemi**" or its affiliates and/or subsidiaries in the United States and/or other countries. **onsemi** owns the rights to a number of patents, trademarks, copyrights, trade secrets, and other intellectual property. A listing of **onsemi**'s product/patent coverage may be accessed at [www.onsemi.com/site/pdf/Patent-Marking.pdf](http://www.onsemi.com/site/pdf/Patent-Marking.pdf). **onsemi** is an Equal Opportunity/Affirmative Action Employer. This literature is subject to all applicable copyright laws and is not for resale in any manner.

The evaluation board/kit (research and development board/kit) (hereinafter the "board") is not a finished product and is not available for sale to consumers. The board is only intended for research, development, demonstration and evaluation purposes and will only be used in laboratory/development areas by persons with an engineering/technical training and familiar with the risks associated with handling electrical/mechanical components, systems and subsystems. This person assumes full responsibility/liability for proper and safe handling. Any other use, resale or redistribution for any other purpose is strictly prohibited.

**THE BOARD IS PROVIDED BY ONSEMI TO YOU "AS IS" AND WITHOUT ANY REPRESENTATIONS OR WARRANTIES WHATSOEVER. WITHOUT LIMITING THE FOREGOING, ONSEMI (AND ITS LICENSORS/SUPPLIERS) HEREBY DISCLAIMS ANY AND ALL REPRESENTATIONS AND WARRANTIES IN RELATION TO THE BOARD, ANY MODIFICATIONS, OR THIS AGREEMENT, WHETHER EXPRESS, IMPLIED, STATUTORY OR OTHERWISE, INCLUDING WITHOUT LIMITATION ANY AND ALL REPRESENTATIONS AND WARRANTIES OF MERCHANTABILITY, FITNESS FOR A PARTICULAR PURPOSE, TITLE, NON-INFRINGEMENT, AND THOSE ARISING FROM A COURSE OF DEALING, TRADE USAGE, TRADE CUSTOM OR TRADE PRACTICE.**

**onsemi** reserves the right to make changes without further notice to any board.

You are responsible for determining whether the board will be suitable for your intended use or application or will achieve your intended results. Prior to using or distributing any systems that have been evaluated, designed or tested using the board, you agree to test and validate your design to confirm the functionality for your application. Any technical, applications or design information or advice, quality characterization, reliability data or other services provided by **onsemi** shall not constitute any representation or warranty by **onsemi**, and no additional obligations or liabilities shall arise from **onsemi** having provided such information or services.

**onsemi** products including the boards are not designed, intended, or authorized for use in life support systems, or any FDA Class 3 medical devices or medical devices with a similar or equivalent classification in a foreign jurisdiction, or any devices intended for implantation in the human body. You agree to indemnify, defend and hold harmless **onsemi**, its directors, officers, employees, representatives, agents, subsidiaries, affiliates, distributors, and assigns, against any and all liabilities, losses, costs, damages, judgments, and expenses, arising out of any claim, demand, investigation, lawsuit, regulatory action or cause of action arising out of or associated with any unauthorized use, even if such claim alleges that **onsemi** was negligent regarding the design or manufacture of any products and/or the board.

This evaluation board/kit does not fall within the scope of the European Union directives regarding electromagnetic compatibility, restricted substances (RoHS), recycling (WEEE), FCC, CE or UL, and may not meet the technical requirements of these or other related directives.

FCC WARNING – This evaluation board/kit is intended for use for engineering development, demonstration, or evaluation purposes only and is not considered by **onsemi** to be a finished end product fit for general consumer use. It may generate, use, or radiate radio frequency energy and has not been tested for compliance with the limits of computing devices pursuant to part 15 of FCC rules, which are designed to provide reasonable protection against radio frequency interference. Operation of this equipment may cause interference with radio communications, in which case the user shall be responsible, at its expense, to take whatever measures may be required to correct this interference.

**onsemi** does not convey any license under its patent rights nor the rights of others.

LIMITATIONS OF LIABILITY: **onsemi** shall not be liable for any special, consequential, incidental, indirect or punitive damages, including, but not limited to the costs of requalification, delay, loss of profits or goodwill, arising out of or in connection with the board, even if **onsemi** is advised of the possibility of such damages. In no event shall **onsemi**'s aggregate liability from any obligation arising out of or in connection with the board, under any theory of liability, exceed the purchase price paid for the board, if any.

The board is provided to you subject to the license and other terms per **onsemi**'s standard terms and conditions of sale. For more information and documentation, please visit [www.onsemi.com](http://www.onsemi.com).

## ADDITIONAL INFORMATION

### TECHNICAL PUBLICATIONS:

Technical Library: [www.onsemi.com/design/resources/technical-documentation](http://www.onsemi.com/design/resources/technical-documentation)  
onsemi Website: [www.onsemi.com](http://www.onsemi.com)

ONLINE SUPPORT: [www.onsemi.com/support](http://www.onsemi.com/support)

For additional information, please contact your local Sales Representative at [www.onsemi.com/support/sales](http://www.onsemi.com/support/sales)