

ON Semiconductor

Is Now

onsemi™

To learn more about onsemi™, please visit our website at
www.onsemi.com

onsemi and **onsemi** and other names, marks, and brands are registered and/or common law trademarks of Semiconductor Components Industries, LLC dba "**onsemi**" or its affiliates and/or subsidiaries in the United States and/or other countries. **onsemi** owns the rights to a number of patents, trademarks, copyrights, trade secrets, and other intellectual property. A listing of **onsemi** product/patent coverage may be accessed at www.onsemi.com/site/pdf/Patent-Marking.pdf. **onsemi** reserves the right to make changes at any time to any products or information herein, without notice. The information herein is provided "as-is" and **onsemi** makes no warranty, representation or guarantee regarding the accuracy of the information, product features, availability, functionality, or suitability of its products for any particular purpose, nor does **onsemi** assume any liability arising out of the application or use of any product or circuit, and specifically disclaims any and all liability, including without limitation special, consequential or incidental damages. Buyer is responsible for its products and applications using **onsemi** products, including compliance with all laws, regulations and safety requirements or standards, regardless of any support or applications information provided by **onsemi**. "Typical" parameters which may be provided in **onsemi** data sheets and/or specifications can and do vary in different applications and actual performance may vary over time. All operating parameters, including "Typicals" must be validated for each customer application by customer's technical experts. **onsemi** does not convey any license under any of its intellectual property rights nor the rights of others. **onsemi** products are not designed, intended, or authorized for use as a critical component in life support systems or any FDA Class 3 medical devices or medical devices with a same or similar classification in a foreign jurisdiction or any devices intended for implantation in the human body. Should Buyer purchase or use **onsemi** products for any such unintended or unauthorized application, Buyer shall indemnify and hold **onsemi** and its officers, employees, subsidiaries, affiliates, and distributors harmless against all claims, costs, damages, and expenses, and reasonable attorney fees arising out of, directly or indirectly, any claim of personal injury or death associated with such unintended or unauthorized use, even if such claim alleges that **onsemi** was negligent regarding the design or manufacture of the part. **onsemi** is an Equal Opportunity/Affirmative Action Employer. This literature is subject to all applicable copyright laws and is not for resale in any manner. Other names and brands may be claimed as the property of others.

200-265 Vac Low Ripple Buck LED Driver



ON Semiconductor®

<http://onsemi.com>

DESIGN NOTE

Overview

High voltage LEDs such as Philips-Lumileds Luxeon® H50-2 offer the opportunity to use a cost effective non-isolated topology such as the NCL30002 based CrM LED driver. This design note shows a compelling implementation for a very simple driver for a string of 3 high voltage LED's with a nominal forward voltage of 50 V per LED. The basic architecture is scalable to higher current LEDs and can support other HV-LEDs on the market.

This makes the CrM buck topology an excellent architecture as an LED driver for the following reasons:

- Low RMS Current Stress on the FET and Output Diode since the Current is Much Lower for the HV LEDs and the Duty Cycle is Relatively High
- Low Current Stress Allows the Use of Smaller FETS and Diodes Leading to Optimum Bill-of-material (BOM) Cost
- Standard Mass Produced Inductors Can Also Be Used which Further Supports a Cost Effective Design
- Low Output Current Ripple

Key Features

Operation of the NCL30002 CrM controller for buck operation is detailed in AND9094D. While that application note describes how the device can be used to implement a high power factor buck implementation, this design note will describe a low ripple configuration.

Please note the input bulk capacitor was sized to comply with EN61000-3-2 Class C (EU), but the same basic design can be used for other lower voltage mains regions like US, Canada, and Latin America for example where that standard does not apply.

The key reason this controller was selected is that it has a very accurate current sense threshold of 485 mV $\pm 2\%$ which is important to achieve good current regulation accuracy.

In addition, in this design the inductor was also the focus of change from the standard implementation to eliminate the need for auxiliary winding for V_{CC} power and ZCD (Zero Current Detector). This allows the designer to use a standard off-the-shelf inductor rather than a custom inductor.

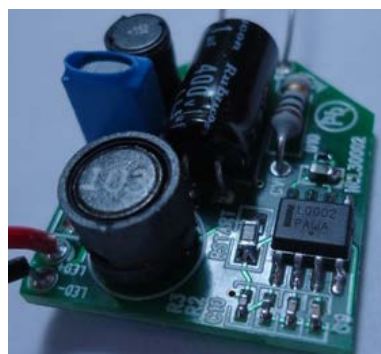


Figure 1. NCL30002

Table 1. DEVICE DETAILS

Device	Application	Input Voltage	Output Power	Topology	I/O Isolation
NCL30002	LED Lighting	200 to 265 Vac	3.8 W	CRM Buck	No

Table 2. OTHER SPECIFICATIONS

	Output Specification
Output Voltage	156 V
Nominal Current	24.5 mA
Harmonic Content	EN61000-3-2 Class C
Efficiency	84.8% Typical
LED	Luxeon® 3 × H50-2

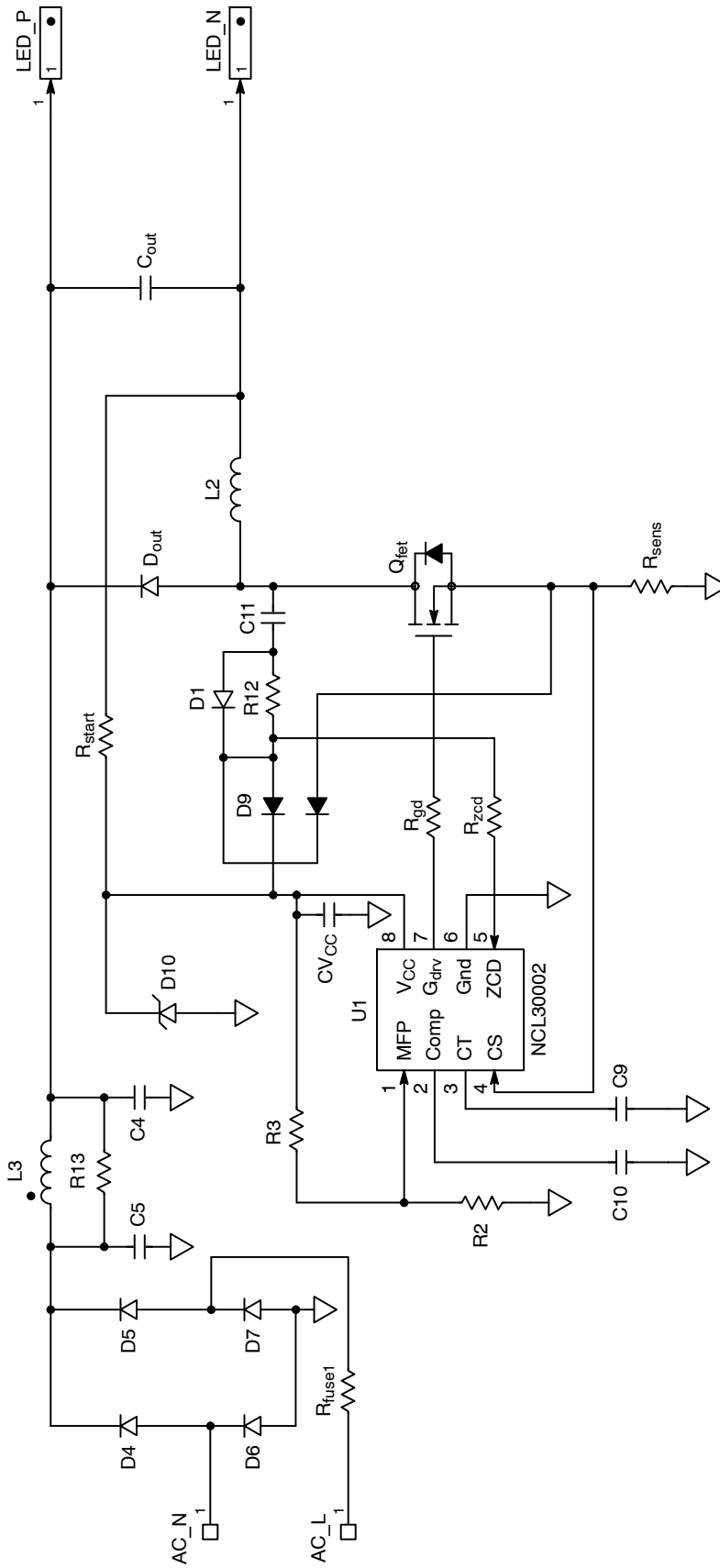


Figure 2. Schematic

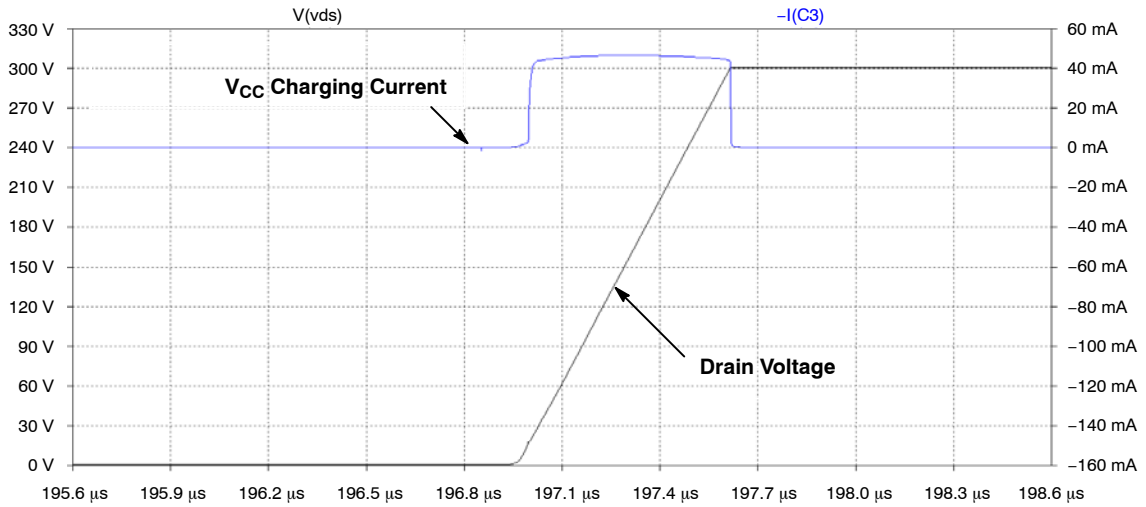


Figure 3. Simulation of Drain Voltage and Charge Current

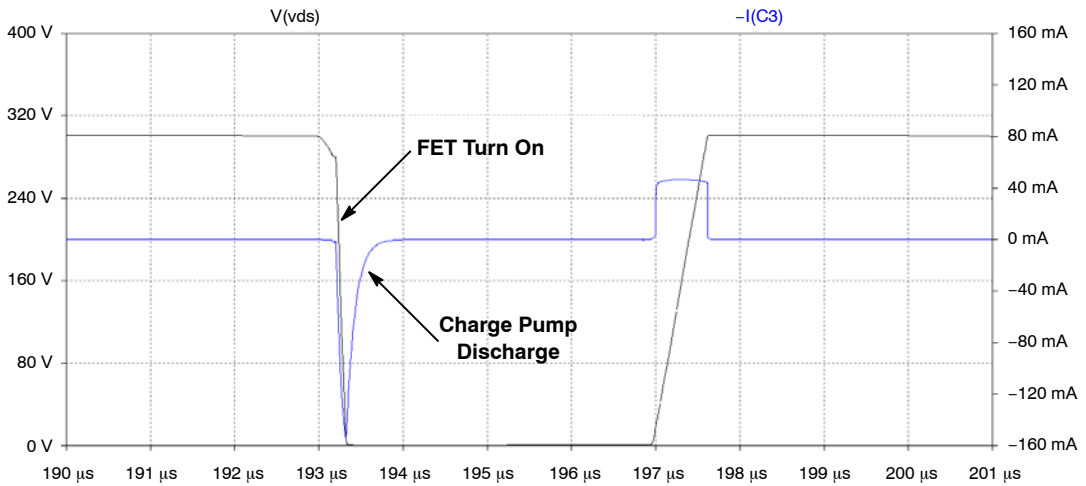


Figure 4. FET Drain Voltage and Charge Pump Capacitor Current

Referencing the schematic, V_{CC} power and ZCD now come from a charge pump driven from the drain of the FET. The charge pump consists of C11, D1, D9, and R12. When the FET turns off, drain current charges C11 providing a pulse of current into the V_{CC} capacitor via D9.

Figure 3 and 4 show some simulations of the charge pump. The 2 noteworthy items from figure 3 are that the current is limited because it is driven by the inductor. Also the drain voltage has well defined rise time which reduces EMI and reduces the trailing edge power losses. At turn on, the FET is fast but turns on into a low current.

The turn on of the FET discharges the charge pump capacitor through R12. The on time needs to be at least 3RC time constants of C11 and R12 to ensure good discharge. R12 should be chosen to provide the lowest discharge current while still allowing for a complete discharge of C11.

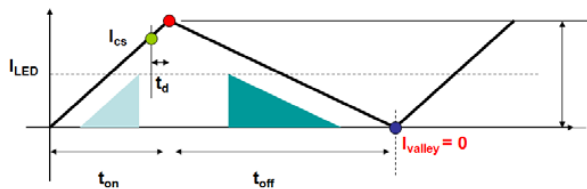
Start-up

The start-up resistor (R_{start}) connects to the output. This type of connection has three key advantages:

1. *Fast Start-up:*
The start-up resistor precharges the output capacitor while also charging the V_{CC} capacitor.
2. *Low Dissipation:*
In operation, the output voltage is much lower than the HVDC bulk voltage.
3. *Inherent Open Circuit Protection:*
If the load is open, there is no current available to start switching.

Regulation

The NCL30002 controller operates as a peak current limit controller with no feedback. The internal error amplifier is bias by R2 and R3 to saturate the error amplifier output high. The error amplifier input cannot be left open as this is detected as an open feedback divider and the controller will shutdown. The value of the timing capacitor (C9) is chosen to be long enough not to limit the on time.



$$\Delta I = \frac{(V_{in} - V_{LED})}{L} \cdot t_{on} = \frac{V_{LED}}{L} \cdot t_{off} = I_{peak}$$

$$I_{LED} = \frac{I_{peak}}{2}$$

Since this is a CrM control, the peak to average current is 2:1. So by controlling the peak current by choice of R_{sens} , we can control the average current. In any open loop control, there are error sources that show up in the regulation. The two major error sources are:

1. *Propagation Delay in the Sensing and Control:*
The delays in the current sense cause the current to overshoot the target value resulting in the output current creeping up with the line voltage. This is a relatively linear effect. Higher frequency operation will show this more than low frequency operation.
2. *Charge-pump Operation:*
The charge pump capacitor causes a delay in rise time of the drain voltage. This effect is more prominent at higher switching frequency which is the case at higher line voltages.

Conclusion

The charge pump buck LED driver is best used in a single line range configuration. The charge pump current increases with frequency and voltage. The nature of CrM operation causes both frequency and voltage to increase together. The charge pump capacitor is sized by the lowest operating voltage (which is also the lowest frequency). As the line voltage increases, excess charge pump current is dissipated in D10. The effect of this is seen in the efficiency curves. The effect on efficiency is most noticed in low power applications. While $\pm 3\%$ regulation is very good over the extremes of a single line range, the addition of feed forward into the current sense node can further improve the line regulation. This requires the addition of 2 resistors R4 and R5 shown in the Figure 5.

DN05042/D

Table 3. BILL OF MATERIALS

Qty	Reference	Part	Manufacturer	Part Number	RoHS	Substitution
1	CV _{CC}	4.7 μ F	Murata	GRM188C81E475KE11D	Yes	Yes
1	C _{out}	100 nF	Kemet	C1206C104K2RACTU	Yes	Yes
1	C4	68 nF, 400 V	Epcos	B32559C6683+***	Yes	Yes
1	C5	1 μ F, 400 V	Rubycon	400LLE1MEFC6.3X11	Yes	Yes
1	C9	10 nF	Kemet	C0402C103K3GACTU	Yes	Yes
1	C10	1 nF	Kemet	C0402C102K3GACTU	Yes	Yes
1	C11	100 pF	Johanson	501R15N101K4T	Yes	Yes
2	D1, D _{out}	UFM15PL	MCC	UFM15PL	Yes	Yes
4	D4, D5, D6, D7	SM4006PL	MCC	SM4006PL	Yes	Yes
1	D9	BAS21DW5T1G	ON Semiconductor	BAS21DW5T1G	Yes	No
1	D10	NZ9F18VT5G	ON Semiconductor	NZ9F18VT5G	Yes	No
1	L2	10 mH	Bourns	RL875S-103K-RC	Yes	Yes
1	L3	1.5 mH	Würth	7447462152	Yes	Yes
1	Q _{fet}	BSS127S-7	Diodes	BSS127S-7	Yes	Yes
1	R _{fuse1}	10 Ω	Yageo	FRM-25JR-52-10R	Yes	Yes
1	R _{gd}	10 Ω	Yageo	RC0402FR-0710RL	Yes	Yes
1	R _{sens}	9.53 Ω	Stackpole	RMCF0603FT9R53	Yes	Yes
1	R _{start}	1.0 M Ω	Yageo	RC0805FR-071ML	Yes	Yes
1	R _{zcd}	24.9 k Ω	Yageo	RC0402FR-0724k9L	Yes	Yes
3	R2, R4, R5	100 k Ω	Yageo	RC0402FR-07100kL	Yes	Yes
1	R3	681 k Ω	Yageo	RC0402FR-07681kL	Yes	Yes
1	R12	10 k Ω	Yageo	RC1206JR-0710KL	Yes	Yes
1	R13	220 Ω	Yageo	RC0805JR-07220RL	Yes	Yes
1	U1	NCL30002	ON Semiconductor	NCL30002DR2G	Yes	No

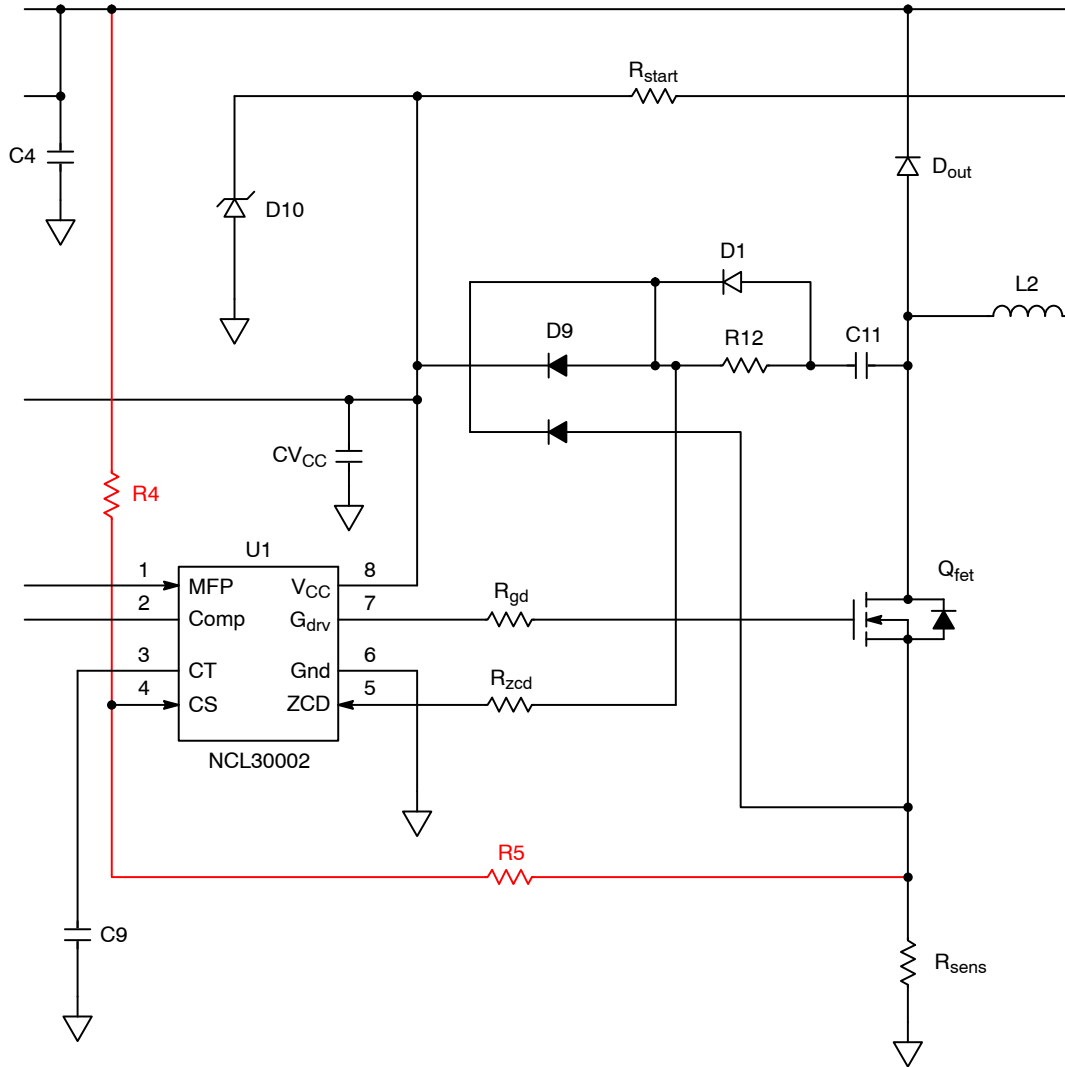


Figure 5. Proposed Line Regulation Feed Forward Improvement

DN05042/D

RESULTS

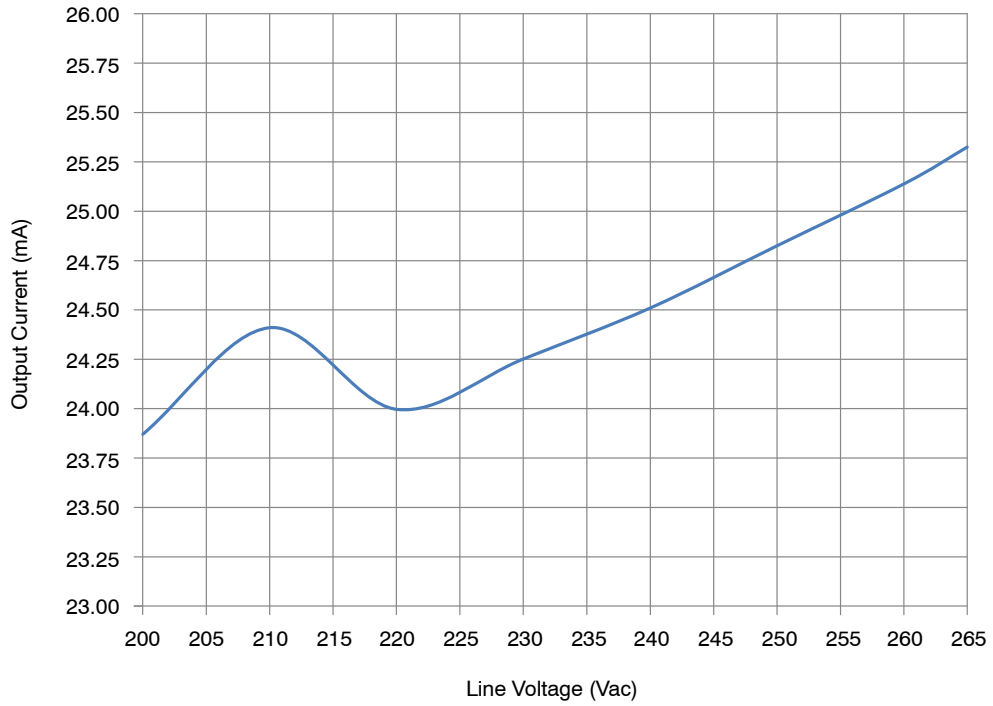


Figure 6. Output Current across Input Line Voltage without Line Feed Forward

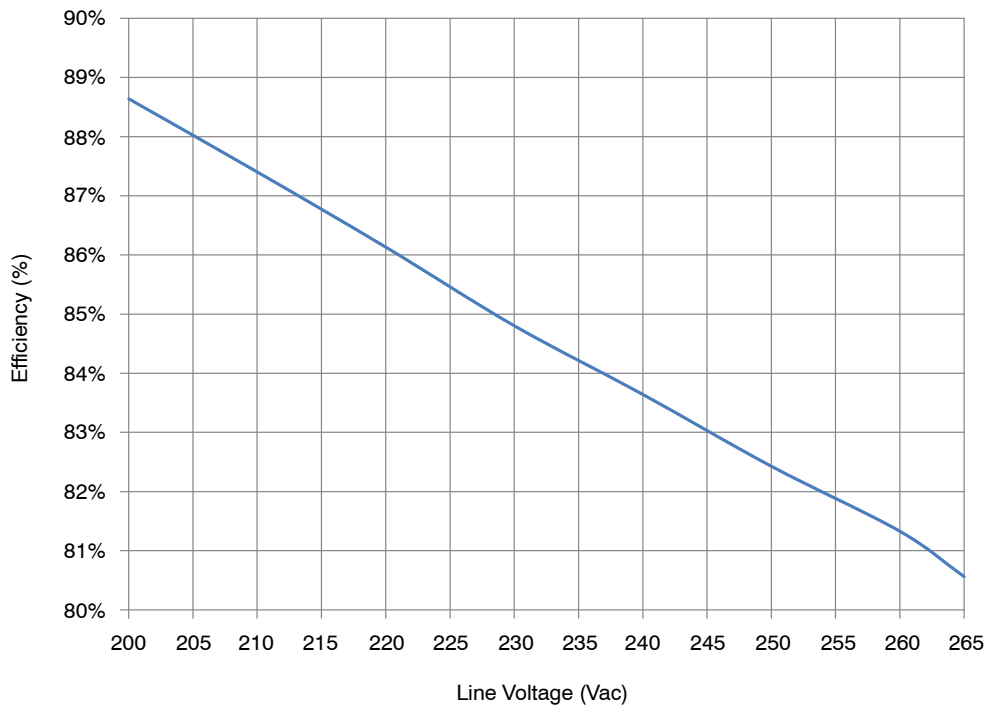


Figure 7. Output Efficiency across Line ($V_f = 156$ Vdc Nominal)

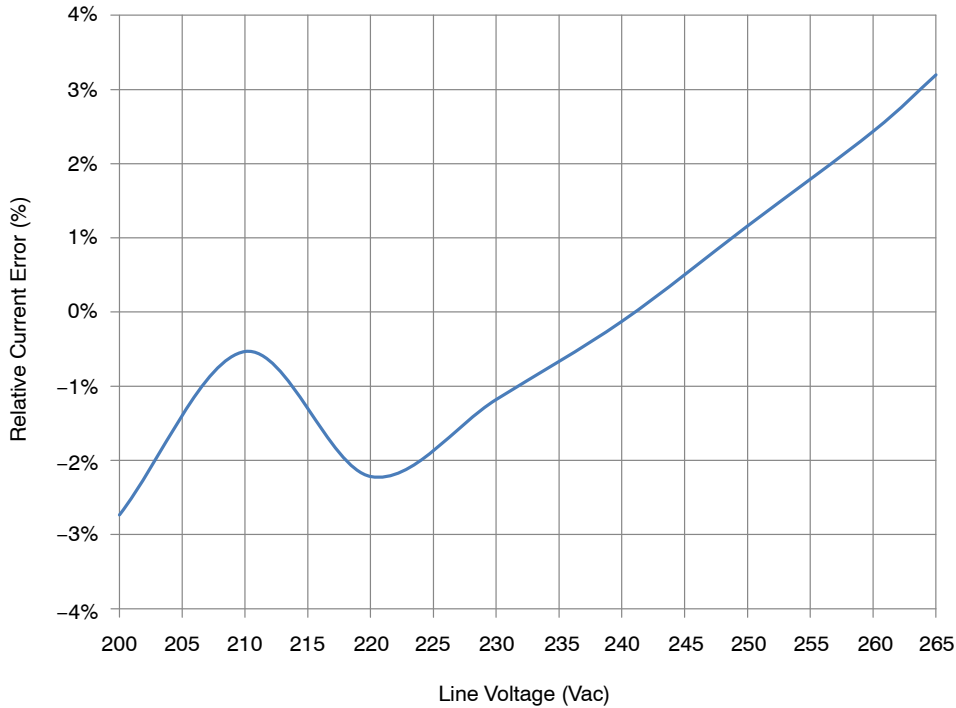



Figure 8. Normalized Output Current across Input Line Voltage ($V_f = 156$ Vdc Nominal)

Table 4. EN61000-3-2

	Fundamental	3 rd Harm	5 th Harm
Class C < 25 W	Ref	86%	61%
Measured	****	78.8%	49.1%

LUXEON is a registered trademark of Philips Lumileds Lighting Company and Royal Philips Electronics of the Netherlands.

ON Semiconductor and  are registered trademarks of Semiconductor Components Industries, LLC (SCILLC). SCILLC owns the rights to a number of patents, trademarks, copyrights, trade secrets, and other intellectual property. A listing of SCILLC's product/patent coverage may be accessed at www.onsemi.com/site/pdf/Patent-Marking.pdf. SCILLC reserves the right to make changes without further notice to any products herein. SCILLC makes no warranty, representation or guarantee regarding the suitability of its products for any particular purpose, nor does SCILLC assume any liability arising out of the application or use of any product or circuit, and specifically disclaims any and all liability, including without limitation special, consequential or incidental damages. "Typical" parameters which may be provided in SCILLC data sheets and/or specifications can and do vary in different applications and actual performance may vary over time. All operating parameters, including "Typicals" must be validated for each customer application by customer's technical experts. SCILLC does not convey any license under its patent rights nor the rights of others. SCILLC products are not designed, intended, or authorized for use as components in systems intended for surgical implant into the body, or other applications intended to support or sustain life, or for any other application in which the failure of the SCILLC product could create a situation where personal injury or death may occur. Should Buyer purchase or use SCILLC products for any such unintended or unauthorized application, Buyer shall indemnify and hold SCILLC and its officers, employees, subsidiaries, affiliates, and distributors harmless against all claims, costs, damages, and expenses, and reasonable attorney fees arising out of, directly or indirectly, any claim of personal injury or death associated with such unintended or unauthorized use, even if such claim alleges that SCILLC was negligent regarding the design or manufacture of the part. SCILLC is an Equal Opportunity/Affirmative Action Employer. This literature is subject to all applicable copyright laws and is not for resale in any manner.

PUBLICATION ORDERING INFORMATION

LITERATURE FULFILLMENT:
 Literature Distribution Center for ON Semiconductor
 P.O. Box 5163, Denver, Colorado 80217 USA
Phone: 303-675-2175 or 800-344-3860 Toll Free USA/Canada
Fax: 303-675-2176 or 800-344-3867 Toll Free USA/Canada
Email: orderlit@onsemi.com

N. American Technical Support: 800-282-9855 Toll Free
 USA/Canada
Europe, Middle East and Africa Technical Support:
 Phone: 421 33 790 2910
Japan Customer Focus Center
 Phone: 81-3-5817-1050

ON Semiconductor Website: www.onsemi.com
Order Literature: <http://www.onsemi.com/orderlit>
 For additional information, please contact your local Sales Representative