

# CM2009

## VGA Port Companion Circuit

### Product Description

The CM2009 connects between a video graphics controller embedded in a PC, graphics adapter card or set top box and the VGA or DVI-I port connector. The CM2009 incorporates ESD protection for all signals, level shifting for the DDC signals and buffering for the SYNC signals. ESD protection for the video, DDC and SYNC lines is implemented with low-capacitance current steering diodes.

All ESD diodes are designed to safely handle the high current spikes specified by IEC-61000-4-2 Level 4 ( $\pm 8$  kV contact discharge if  $C_{BYP}$  is present,  $\pm 4$  kV if not). The ESD protection for the DDC signal pins are designed to prevent “back current” when the device is powered down while connected to a monitor that is powered up.

Separate positive supply rails are provided for the VIDEO, DDC and SYNC channels to facilitate interfacing with low voltage video controller ICs to provide design flexibility in multi-supply-voltage environments.

Two non-inverting drivers provide buffering for the HSYNC and VSYNC signals from the video controller IC (SYNC1, SYNC2). These buffers accept TTL input levels and convert them to CMOS output levels that swing between Ground and  $V_{CC\_SYNC}$ , which is typically 5 V. Additionally, each driver has a series termination resistor ( $R_T$ ) connected to the SYNC\_OUT pin, eliminating the external termination resistors typically required for the HSYNC and VSYNC lines of the video cable. There are three versions with different values of  $R_T$  to allow termination at typically  $65 \Omega$  (CM2009-00) or  $15 \Omega$  (CM2009-02).

The  $15 \Omega$  (CM2009-02) version will typically require two external resistors which can be chosen to exactly match the characteristic impedance of the SYNC lines of the video cable.

Two N-channel MOSFETs provide the level shifting function required when the DDC controller is operated at a lower supply voltage than the monitor. The gate terminals for these MOSFETs ( $V_{CC\_DDC}$ ) should be connected to the supply rail (typically 3.3 V) that supplies power to the transceivers of the DDC controller.

### Features

- Includes ESD Protection, Level-Shifting, Buffering and Sync Impedance Matching
- 7 Channels of ESD Protection for all VGA Port Connector Pins Meeting IEC-61000-4-2 Level 4 ESD Requirements ( $\pm 8$  kV Contact Discharge)
- Very Low Loading Capacitance from ESD Protection Diodes on VIDEO Lines (4 pF Maximum)
- 5 V Drivers for HSYNC and VSYNC Lines
- Integrated Impedance Matching Resistors on Sync Lines
- Bi-directional Level Shifting N-Channel FETs Provided for DDC\_CLK & DDC\_DATA Channels
- Backdrive Protection on DDC Lines
- Compact 16-Lead QSOP Package
- These Devices are Pb-Free and are RoHS Compliant

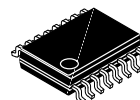
### Applications

- VGA and DVI-I Ports in:
  - ◆ Desktop and Notebook PCs
  - ◆ Graphics Cards
  - ◆ Set Top Boxes



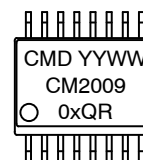
ON Semiconductor®

<http://onsemi.com>



QSOP16  
QR SUFFIX  
CASE 492

### MARKING DIAGRAM



CM2009 0xQR = Specific Device Code  
YY = Year  
WW = Work Week

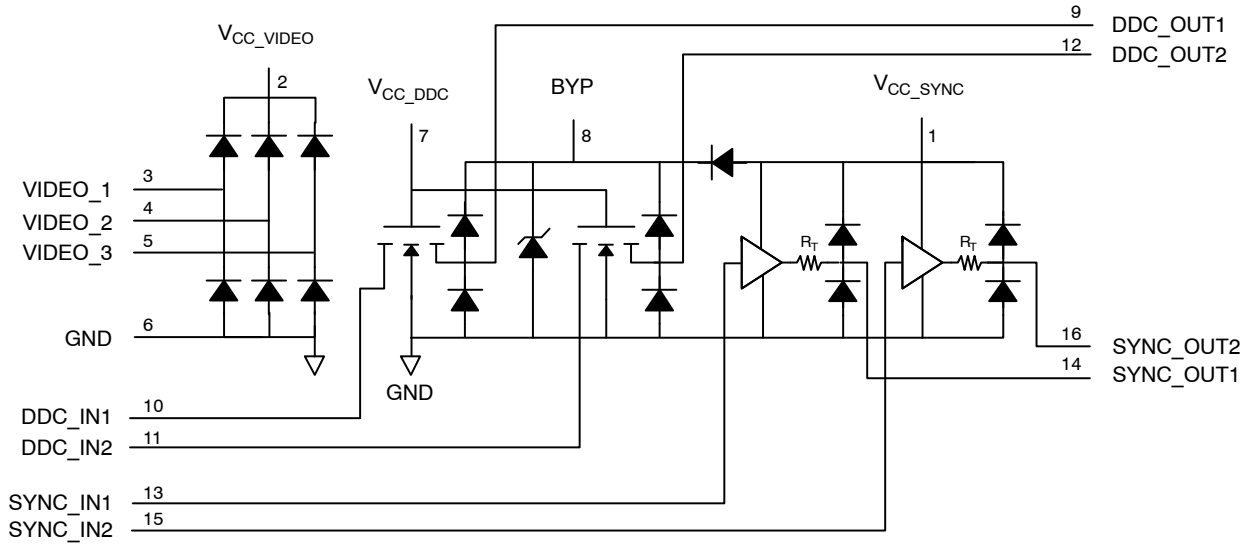
### ORDERING INFORMATION

Device	Package	Shipping†
CM2009-00QR	QSOP-16 (Pb-Free)	2500/Tape & Reel
CM2009-02QR	QSOP-16 (Pb-Free)	2500/Tape & Reel

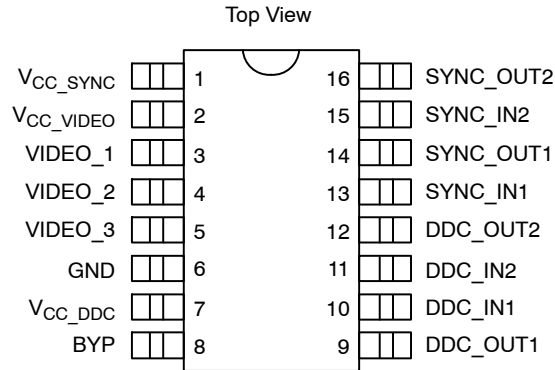
†For information on tape and reel specifications, including part orientation and tape sizes, please refer to our Tape and Reel Packaging Specification Brochure, BRD8011/D.

# CM2009

## SIMPLIFIED ELECTRICAL SCHEMATIC



## PACKAGE / PINOUT DIAGRAM



16 Pin QSOP

**Table 1. PIN DESCRIPTIONS**

Lead(s)	Name	Description
1	VCC_SYNC	This is an isolated supply input for the SYNC_1 and SYNC_2 level shifters and their associated ESD protection circuits.
2	VCC_VIDEO	This is a supply pin specifically for the VIDEO_1, VIDEO_2 and VIDEO_3 ESD protection circuits.
3	VIDEO_1	Video signal ESD protection channel. This pin is typically tied one of the video lines between the VGA controller device and the video connector.
4	VIDEO_2	Video signal ESD protection channel. This pin is typically tied one of the video lines between the VGA controller device and the video connector.
5	VIDEO_3	Video signal ESD protection channel. This pin is typically tied one of the video lines between the VGA controller device and the video connector.
6	GND	Ground reference supply pin.
7	VCC_DDC	This is an isolated supply input for the DDC_1 and DDC_2 level-shifting N-FET gates.
8	BYP	This input is used to connect an external 0.2 $\mu$ F bypass capacitor to the DDC circuits, resulting in an increased ESD withstand voltage rating for these circuits ( $\pm 8$ kV with vs. $\pm 4$ kV without).
9	DDC_OUT1	DDC signal output. Connects to the video connector side of one of the sync lines.
10	DDC_IN1	DDC signal input. Connects to the VGA controller side of one of the sync lines.

# CM2009

**Table 1. PIN DESCRIPTIONS**

Lead(s)	Name	Description
11	DDC_IN2	DDC signal input. Connects to the VGA controller side of one of the sync lines.
12	DDC_OUT2	DDC signal output. Connects to the video connector side of one of the sync lines.
13	SYNC_IN1	Sync signal buffer input. Connects to the VGA controller side of one of the sync lines.
14	SYNC_OUT1	Sync signal buffer output. Connects to the video connector side of one of the sync lines.
15	SYNC_IN2	Sync signal buffer input. Connects to the VGA controller side of one of the sync lines.
16	SYNC_OUT2	Sync signal buffer output. Connects to the video connector side of one of the sync lines.

## SPECIFICATIONS

**Table 2. ABSOLUTE MAXIMUM RATINGS**

Parameter	Rating	Units
$V_{CC\_VIDEO}$ , $V_{CC\_DDC}$ and $V_{CC\_SYNC}$ Supply Voltage Inputs	[GND - 0.5] to +6.0	V
ESD Diode Forward Current (one diode conducting at a time)	10	mA
DC Voltage at Inputs VIDEO_1, VIDEO_2, VIDEO_3 DDC_IN1, DDC_IN2 DDC_OUT1, DDC_OUT2 SYNC_IN1, SYNC_IN2	[GND - 0.5] to [ $V_{CC\_VIDEO} + 0.5$ ] [GND - 0.5] to 6.0 [GND - 0.5] to 6.0 [GND - 0.5] to [ $V_{CC\_SYNC} + 0.5$ ]	V
Operating Temperature Range	-40 to +85	°C
Storage Temperature Range	-40 to +150	°C
Package Power Rating ( $T_A = 25^\circ\text{C}$ )	500	mW

Stresses exceeding Maximum Ratings may damage the device. Maximum Ratings are stress ratings only. Functional operation above the Recommended Operating Conditions is not implied. Extended exposure to stresses above the Recommended Operating Conditions may affect device reliability.

# CM2009

**Table 3. ELECTRICAL OPERATING CHARACTERISTICS** (Note 1)

Symbol	Parameter	Conditions	Min	Typ	Max	Units
I <sub>CC_VIDEO</sub>	V <sub>CC_VIDEO</sub> Supply Current	V <sub>CC_VIDEO</sub> = 5.0 V; VIDEO inputs at V <sub>CC_VIDEO</sub> or GND			10	μA
I <sub>CC_DDC</sub>	V <sub>CC_DDC</sub> Supply Current	V <sub>CC_DDC</sub> = 5.0 V			10	μA
I <sub>CC_SYNC</sub>	V <sub>CC_SYNC</sub> Supply Current	V <sub>CC_SYNC</sub> = 5 V; SYNC inputs at GND or V <sub>CC_SYNC</sub> ; SYNC outputs unloaded			50	μA
		V <sub>CC_SYNC</sub> = 5 V; SYNC inputs at 3.0 V; SYNC outputs unloaded			2.0	mA
V <sub>F</sub>	ESD Diode Forward Voltage	I <sub>F</sub> = 10 mA			1.0	V
V <sub>IH</sub>	Logic High Input Voltage	V <sub>CC_SYNC</sub> = 5.0 V; (Note 2)	2.0			V
V <sub>IL</sub>	Logic Low Input Voltage	V <sub>CC_SYNC</sub> = 5.0 V; (Note 2)			0.6	V
V <sub>OH</sub>	Logic High Output Voltage	I <sub>OH</sub> = 0 mA, V <sub>CC_SYNC</sub> = 5.0 V; (Note 2)	4.85			V
V <sub>OL</sub>	Logic Low Output Voltage	I <sub>OL</sub> = 0 mA, V <sub>CC_SYNC</sub> = 5.0 V; (Note 2)			0.15	V
R <sub>OUT</sub>	SYNC Driver Output Resistance (CM2009-00 only)	V <sub>CC_SYNC</sub> = 5.0 V; SYNC Inputs at GND or 3.0 V		65		Ω
R <sub>OUT</sub>	SYNC Driver Output Resistance (CM2009-02 only)	V <sub>CC_SYNC</sub> = 5.0 V; SYNC Inputs at GND or 3.0 V; (Note ?)		15		Ω
V <sub>OH-02</sub>	Logic High Output Voltage (CM2009-02 only)	I <sub>OH</sub> = 24 mA; V <sub>CC_SYNC</sub> = 5.0 V; (Note 2)	2.0			V
V <sub>OL-02</sub>	Logic Low Output Voltage (CM2009-02 only)	I <sub>OL</sub> = 24 mA; V <sub>CC_SYNC</sub> = 5.0 V; (Note 2)			0.8	V
I <sub>IN</sub>	Input Current VIDEO Inputs	V <sub>CC_VIDEO</sub> = 5.0 V; V <sub>IN</sub> = V <sub>CC_VIDEO</sub> or GND			±1	μA
	SYNC_IN1, SYNC_IN2 Inputs	V <sub>CC_SYNC</sub> = 5.0 V; V <sub>IN</sub> = V <sub>CC_SYNC</sub> or GND			±1	μA
I <sub>OFF</sub>	Level Shifting N-MOSFET "OFF" State Leakage Current	(V <sub>CC_DDC</sub> - V <sub>DDC_IN</sub> ) ≤ 0.4 V; V <sub>DDC_OUT</sub> = V <sub>CC_DDC</sub>			10	μA
		(V <sub>CC_DDC</sub> - V <sub>DDC_OUT</sub> ) ≤ 0.4 V; V <sub>DDC_IN</sub> = V <sub>CC_DDC</sub>			10	μA
V <sub>ON</sub>	Voltage Drop Across Level-shifting N-MOSFET when "ON"	V <sub>CC_DDC</sub> = 2.5 V; V <sub>S</sub> = GND; I <sub>DS</sub> = 3 mA;			0.18	V
C <sub>IN_VID</sub>	VIDEO Input Capacitance	V <sub>CC_VIDEO</sub> = 5.0 V; V <sub>IN</sub> = 2.5 V; f = 1 MHz; (Note 4)			4	pF
		V <sub>CC_VIDEO</sub> = 2.5 V; V <sub>IN</sub> = 1.25 V; f = 1 MHz; (Note 4)			4.5	pF
t <sub>PLH</sub>	SYNC Driver L => H Propagation Delay	C <sub>L</sub> = 50 pF; V <sub>CC</sub> = 5.0 V; Input t <sub>R</sub> and t <sub>F</sub> ≤ 5 ns			12	ns
t <sub>PHL</sub>	SYNC Driver H => L Propagation Delay	C <sub>L</sub> = 50 pF; V <sub>CC</sub> = 5.0 V; Input t <sub>R</sub> and t <sub>F</sub> ≤ 5 ns			12	ns
t <sub>R</sub> , t <sub>F</sub>	SYNC Driver Output Rise & Fall Times	C <sub>L</sub> = 50 pF; V <sub>CC</sub> = 5.0 V; Input t <sub>R</sub> and t <sub>F</sub> ≤ 5 ns		4		ns
V <sub>ESD</sub>	ESD Withstand Voltage	V <sub>CC_VIDEO</sub> = V <sub>CC_SYNC</sub> = 5 V; (Notes 3, 4 & ?)	±8			kV

- All parameters specified over standard operating conditions unless otherwise noted.
- These parameters apply only to the SYNC drivers. Note that R<sub>OUT</sub> = R<sub>T</sub> + R<sub>BUFFER</sub>.
- Per the IEC-61000-4-2 International ESD Standard, Level 4 contact discharge method. BYP, V<sub>CC\_VIDEO</sub> and V<sub>CC\_SYNC</sub> must be bypassed to GND via a low impedance ground plane with a 0.2 μF, low inductance, chip ceramic capacitor at each supply pin. ESD pulse is applied between the applicable pins and GND. ESD pulses can be positive or negative with respect to GND. Applicable pins are: VIDEO\_1, VIDEO\_2, VIDEO\_3, SYNC\_OUT1, SYNC\_OUT2, DDC\_OUT1 and DDC\_OUT2. All other pins are ESD protected to the industry standard ±2 kV Human Body Model (MIL-STD-883, Method 3015). The bypass capacitor at the BYP pin may optionally be omitted, in which case the max. ESD withstand voltage for the DDC\_OUT1 and DDC\_OUT2 pins is reduced to ±4 kV.
- The SYNC\_OUT pins on the CM2009-02 are guaranteed for 2 kV HBM ESD protection.

APPLICATION INFORMATION

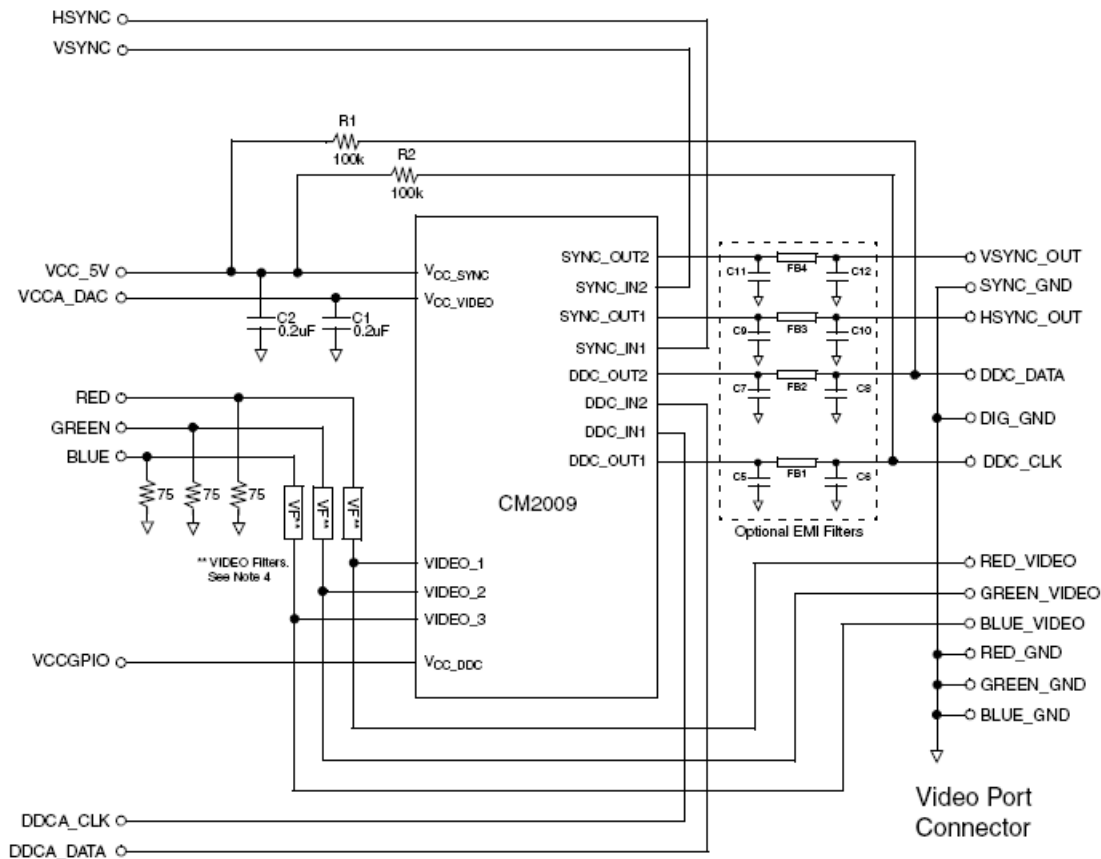


Figure 1. Typical Application Connection Diagram

NOTES:

1. The CM2009 should be placed as close to the VGA or DVI-I connector as possible.
2. The ESD protection channels VIDEO\_1, VIDEO\_2, VIDEO\_3 may be used interchangeably between the R, G, B signals.
3. If differential video signal routing is used, the RED, BLUE, and GREEN signal lines should be terminated with external 37.5 Ω resistors.
4. “VF” are external video filters for the RGB signals.
5. Supply bypass capacitors C1 and C2 must be placed immediately adjacent to the corresponding Vcc pins. Connections to the Vcc pins and ground plane must be made with minimal length copper traces (preferably less than 5 mm) for best ESD protection.
6. The bypass capacitor for the BYP pin has been omitted in this diagram. This results in a reduction in the maximum ESD withstand voltage at the DDC\_OUT pins from ±8 kV to ±4 kV. If 8 kV ESD protection is required, a 0.2 μF ceramic bypass capacitor should be connected between BYP and ground.
7. The SYNC buffers may be used interchangeably between HSYNC and VSYNC.
8. The EMI filters at the SYNC\_OUT and DDC\_OUT pins (C5 to C12, and Ferrite Beads FB1 to FB4) are for reference only. The component values and filter configuration may be changed to suit the application.
9. The DDC level shifters DDC\_IN, DDC\_OUT, may be used interchangeably between DDCA\_CLK and DDCA\_DATA.
10. R1, R2 are optional. They may be used, if required, to pull the DDC\_CLK and DDC\_DATA lines to VCC\_5V when no monitor is connected to the VGA connector. If used, it should be noted that “back current” may flow between the DDC pins and VCC\_5V via these resistors when VCC\_5V is powered down.
11. For optimal ESD performance with the CM2009-02, an additional clamp device (such as the CMD PACDN042) should be placed on HSYNC/VSYNC lines between the external matching resistor and the VGA connector.

# MECHANICAL CASE OUTLINE PACKAGE DIMENSIONS

ON Semiconductor®



SCALE 2:1

## QSOP16 CASE 492-01 ISSUE A

DATE 23 MAR 2011

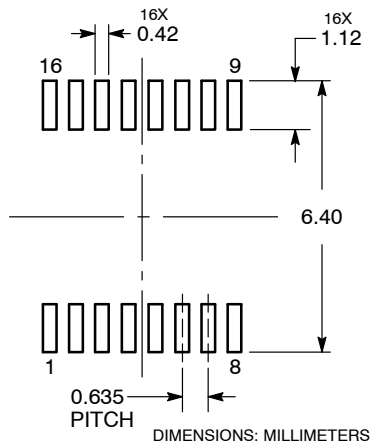


NOTES:

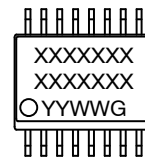
1. DIMENSIONING AND TOLERANCING PER ASME Y14.5M, 1994.
2. CONTROLLING DIMENSION: MILLIMETERS.
3. DIMENSION b DOES NOT INCLUDE DAMBAR PROTRUSION.
4. DIMENSION D DOES NOT INCLUDE MOLD FLASH, PROTRUSIONS, OR GATE BURRS. MOLD FLASH, PROTRUSIONS, OR GATE BURRS SHALL NOT EXCEED 0.005 PER SIDE. DIMENSION E1 DOES NOT INCLUDE INTERLEAD FLASH OR PROTRUSION. INTERLEAD FLASH OR PROTRUSION SHALL NOT EXCEED 0.005 PER SIDE. D AND E1 ARE DETERMINED AT DATUM H.
5. DATUMS A AND B ARE DETERMINED AT DATUM H.

DIM	INCHES		MILLIMETERS	
	MIN	MAX	MIN	MAX
A	0.053	0.069	1.35	1.75
A1	0.004	0.010	0.10	0.25
A2	0.049	----	1.24	----
b	0.008	0.012	0.20	0.30
c	0.007	0.010	0.19	0.25
D	0.193 BSC		4.89 BSC	
E	0.237 BSC		6.00 BSC	
E1	0.154 BSC		3.90 BSC	
e	0.025 BSC		0.635 BSC	
h	0.009	0.020	0.22	0.50
L	0.016	0.050	0.40	1.27
L2	0.010 BSC		0.25 BSC	
M	0°	8°	0°	8°

### SOLDERING FOOTPRINT



### GENERIC MARKING DIAGRAM\*



- XXXXXX = Specific Device Code
- YY = Year
- WW = Work Week
- G = Pb-Free Package

\*This information is generic. Please refer to device data sheet for actual part marking. Pb-Free indicator, "G", may or not be present.

<b>DOCUMENT NUMBER:</b>	<b>98AON04472D</b>	Electronic versions are uncontrolled except when accessed directly from the Document Repository. Printed versions are uncontrolled except when stamped "CONTROLLED COPY" in red.
<b>DESCRIPTION:</b>	<b>QSOP16</b>	<b>PAGE 1 OF 1</b>

ON Semiconductor and are trademarks of Semiconductor Components Industries, LLC dba ON Semiconductor or its subsidiaries in the United States and/or other countries. ON Semiconductor reserves the right to make changes without further notice to any products herein. ON Semiconductor makes no warranty, representation or guarantee regarding the suitability of its products for any particular purpose, nor does ON Semiconductor assume any liability arising out of the application or use of any product or circuit, and specifically disclaims any and all liability, including without limitation special, consequential or incidental damages. ON Semiconductor does not convey any license under its patent rights nor the rights of others.

**onsemi**, **Onsemi**, and other names, marks, and brands are registered and/or common law trademarks of Semiconductor Components Industries, LLC dba "**onsemi**" or its affiliates and/or subsidiaries in the United States and/or other countries. **onsemi** owns the rights to a number of patents, trademarks, copyrights, trade secrets, and other intellectual property. A listing of **onsemi**'s product/patent coverage may be accessed at [www.onsemi.com/site/pdf/Patent-Marking.pdf](http://www.onsemi.com/site/pdf/Patent-Marking.pdf). **onsemi** reserves the right to make changes at any time to any products or information herein, without notice. The information herein is provided "as-is" and **onsemi** makes no warranty, representation or guarantee regarding the accuracy of the information, product features, availability, functionality, or suitability of its products for any particular purpose, nor does **onsemi** assume any liability arising out of the application or use of any product or circuit, and specifically disclaims any and all liability, including without limitation special, consequential or incidental damages. Buyer is responsible for its products and applications using **onsemi** products, including compliance with all laws, regulations and safety requirements or standards, regardless of any support or applications information provided by **onsemi**. "Typical" parameters which may be provided in **onsemi** data sheets and/or specifications can and do vary in different applications and actual performance may vary over time. All operating parameters, including "Typicals" must be validated for each customer application by customer's technical experts. **onsemi** does not convey any license under any of its intellectual property rights nor the rights of others. **onsemi** products are not designed, intended, or authorized for use as a critical component in life support systems or any FDA Class 3 medical devices or medical devices with a same or similar classification in a foreign jurisdiction or any devices intended for implantation in the human body. Should Buyer purchase or use **onsemi** products for any such unintended or unauthorized application, Buyer shall indemnify and hold **onsemi** and its officers, employees, subsidiaries, affiliates, and distributors harmless against all claims, costs, damages, and expenses, and reasonable attorney fees arising out of, directly or indirectly, any claim of personal injury or death associated with such unintended or unauthorized use, even if such claim alleges that **onsemi** was negligent regarding the design or manufacture of the part. **onsemi** is an Equal Opportunity/Affirmative Action Employer. This literature is subject to all applicable copyright laws and is not for resale in any manner.

## ADDITIONAL INFORMATION

### TECHNICAL PUBLICATIONS:

Technical Library: [www.onsemi.com/design/resources/technical-documentation](http://www.onsemi.com/design/resources/technical-documentation)  
onsemi Website: [www.onsemi.com](http://www.onsemi.com)

### ONLINE SUPPORT: [www.onsemi.com/support](http://www.onsemi.com/support)

For additional information, please contact your local Sales Representative at [www.onsemi.com/support/sales](http://www.onsemi.com/support/sales)