

# ON Semiconductor

## Is Now

# onsemi™

To learn more about onsemi™, please visit our website at  
[www.onsemi.com](http://www.onsemi.com)

---

**onsemi** and **onsemi** and other names, marks, and brands are registered and/or common law trademarks of Semiconductor Components Industries, LLC dba "**onsemi**" or its affiliates and/or subsidiaries in the United States and/or other countries. **onsemi** owns the rights to a number of patents, trademarks, copyrights, trade secrets, and other intellectual property. A listing of **onsemi** product/patent coverage may be accessed at [www.onsemi.com/site/pdf/Patent-Marking.pdf](http://www.onsemi.com/site/pdf/Patent-Marking.pdf). **onsemi** reserves the right to make changes at any time to any products or information herein, without notice. The information herein is provided "as-is" and **onsemi** makes no warranty, representation or guarantee regarding the accuracy of the information, product features, availability, functionality, or suitability of its products for any particular purpose, nor does **onsemi** assume any liability arising out of the application or use of any product or circuit, and specifically disclaims any and all liability, including without limitation special, consequential or incidental damages. Buyer is responsible for its products and applications using **onsemi** products, including compliance with all laws, regulations and safety requirements or standards, regardless of any support or applications information provided by **onsemi**. "Typical" parameters which may be provided in **onsemi** data sheets and/or specifications can and do vary in different applications and actual performance may vary over time. All operating parameters, including "Typicals" must be validated for each customer application by customer's technical experts. **onsemi** does not convey any license under any of its intellectual property rights nor the rights of others. **onsemi** products are not designed, intended, or authorized for use as a critical component in life support systems or any FDA Class 3 medical devices or medical devices with a same or similar classification in a foreign jurisdiction or any devices intended for implantation in the human body. Should Buyer purchase or use **onsemi** products for any such unintended or unauthorized application, Buyer shall indemnify and hold **onsemi** and its officers, employees, subsidiaries, affiliates, and distributors harmless against all claims, costs, damages, and expenses, and reasonable attorney fees arising out of, directly or indirectly, any claim of personal injury or death associated with such unintended or unauthorized use, even if such claim alleges that **onsemi** was negligent regarding the design or manufacture of the part. **onsemi** is an Equal Opportunity/Affirmative Action Employer. This literature is subject to all applicable copyright laws and is not for resale in any manner. Other names and brands may be claimed as the property of others.



Is Now Part of



**ON Semiconductor®**

To learn more about ON Semiconductor, please visit our website at  
[www.onsemi.com](http://www.onsemi.com)

ON Semiconductor and the ON Semiconductor logo are trademarks of Semiconductor Components Industries, LLC dba ON Semiconductor or its subsidiaries in the United States and/or other countries. ON Semiconductor owns the rights to a number of patents, trademarks, copyrights, trade secrets, and other intellectual property. A listing of ON Semiconductor's product/patent coverage may be accessed at [www.onsemi.com/site/pdf/Patent-Marking.pdf](http://www.onsemi.com/site/pdf/Patent-Marking.pdf). ON Semiconductor reserves the right to make changes without further notice to any products herein. ON Semiconductor makes no warranty, representation or guarantee regarding the suitability of its products for any particular purpose, nor does ON Semiconductor assume any liability arising out of the application or use of any product or circuit, and specifically disclaims any and all liability, including without limitation special, consequential or incidental damages. Buyer is responsible for its products and applications using ON Semiconductor products, including compliance with all laws, regulations and safety requirements or standards, regardless of any support or applications information provided by ON Semiconductor. "Typical" parameters which may be provided in ON Semiconductor data sheets and/or specifications can and do vary in different applications and actual performance may vary over time. All operating parameters, including "Typicals" must be validated for each customer application by customer's technical experts. ON Semiconductor does not convey any license under its patent rights nor the rights of others. ON Semiconductor products are not designed, intended, or authorized for use as a critical component in life support systems or any FDA Class 3 medical devices or medical devices with a same or similar classification in a foreign jurisdiction or any devices intended for implantation in the human body. Should Buyer purchase or use ON Semiconductor products for any such unintended or unauthorized application, Buyer shall indemnify and hold ON Semiconductor and its officers, employees, subsidiaries, affiliates, and distributors harmless against all claims, costs, damages, and expenses, and reasonable attorney fees arising out of, directly or indirectly, any claim of personal injury or death associated with such unintended or unauthorized use, even if such claim alleges that ON Semiconductor was negligent regarding the design or manufacture of the part. ON Semiconductor is an Equal Opportunity/Affirmative Action Employer. This literature is subject to all applicable copyright laws and is not for resale in any manner.

## Implementing the Physical Layer in a USB 2.0 Compliant System

### Overview

This application note discusses system level design considerations that need to be followed when implementing the physical layer using a discrete transceiver into a Universal Serial Bus (USB) 2.0 compliant system. Special consideration is taken to fully comply with USB 2.0 specification requirements. Proper signal termination as well as correct upstream-downstream configuration requirements will be discussed. Also, this application note covers some of the challenges which arise when voltage translation is needed between low voltage controllers and the higher voltage physical layer devices and how these challenges are overcome.

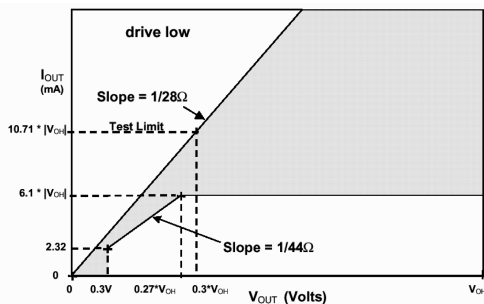
### What is USB 2.0?

Before exploring the details of implementing a USB 2.0 compliant physical layer it is necessary to have a consistent understanding of what it means to be USB 2.0 compliant. A look at the history of the USB specification reveals that prior to the release of USB 2.0, the most updated specification was USB 1.1. The USB 1.1 specification predated the release of high speed USB (480Mbps) and as a result only covered full speed (12Mbps) and low speed (1.5Mbps) operation. The USB 2.0 specification was released specifically for the purpose of addressing the emergence of high speed devices designed to deal with high bandwidth applications like streaming video. To be considered USB 2.0 compliant means that the transceiver must meet all the requirements of the USB 2.0 specification that apply to it whether it is a low speed, full speed, or a

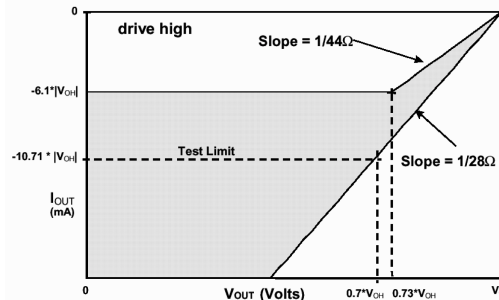
high speed device. When dealing with transceivers, the specification provides different requirements for certain specifications depending on whether or not the part is full speed (12Mbps) or high speed (480Mbps) capable. This explains why many full speed capable transceivers like the USB1T20, USB1T1102, and future devices like the USB1T1104 and USB1T1105 are still USB 2.0 compliant. These devices are forward compatible with high speed capable ports that are shipped on many PCs today. At this time full speed transceivers are still the most prevalent implementation of the physical layer.

### Signal Termination

One of the areas where the specification distinguishes between full speed and high speed is in the proper series termination on the transmission line. For example, when using a full speed (12Mbps) buffer in a USB 2.0 compliant system, it is necessary to place a series resistor on the D+ and D- pins external to the transceiver. This placement is a result of the need to properly match the impedance of the specified transmission line having a differential characteristic impedance ( $Z_0$ ) of  $90\Omega$  and a single ended impedance of  $45\Omega$ . To match this load, it requires that the full speed transceiver output impedance must be in the range  $28\Omega$  to  $44\Omega$ . In order to properly match the impedance of the transmission line the output drive characteristics must fall within the gray shaded regions of Figure 1 and Figure 2. The figures are referenced directly from the USB 2.0 specification.



**FIGURE 1.**  
 Full Speed Buffer V/I Characteristics Driving Low  
 (page 126 USB 2.0 Specification)



**FIGURE 2.**  
 Full Speed Buffer V/I Characteristics  
 (page 126 USB 2.0 Specification)

## Signal Termination (Continued)

Because the characteristic output impedance of the signaling pins is actually much smaller than the total required for proper load matching, it is necessary to place external series resistor on these pins. The resistor value can be anything needed in order to ensure the total impedance seen by the transmission line stays within the 28Ω to 44Ω range. (See Figure 3)

This variation in the series termination resistors is due to differences in output drive impedance characteristics of the

buffer which is attributed to the chosen process and design techniques employed. For example, USB1T11A specifies an external series resistor of 24Ω which allows its combined series output impedance to stay within this range while the USB1T1102 suggests 29Ω. By staying within the gray regions of Figure 1 and Figure 2 this will ensure that the specified  $V_{IH}$  levels of the receiving transceiver are satisfied and result in a clean eye diagram. See Figure 4 for an example of what a clean eye diagram should look like.

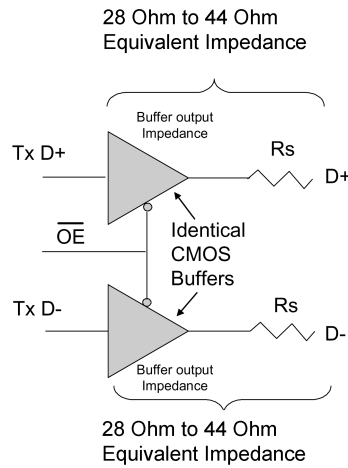


FIGURE 3. Simplified Schematic of Output Buffers and Series Termination

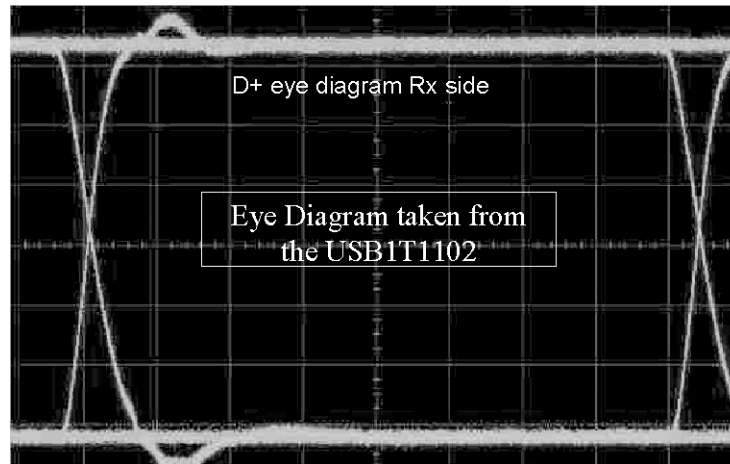


FIGURE 4. Eye Pattern for USB1T1102

## Upstream/Downstream Configurations

It is also important to know how to properly configure the transceivers relative to their location in the system. First, it must be determined whether the device is in the upstream or downstream position relative to the host. Simply put, this means that transceivers on the host side are considered to be downstream devices and those on peripheral side are considered to be upstream configured. An easy way to remember this is to ask yourself in what direction, relative to the host, does the transceiver send data to. If the transceiver is on the host side, it sends data downstream away from the host. If the transceiver is on the peripheral side, data is sent upstream back to the host. If a transceiver is on the host side,  $15k\Omega \pm 5\%$  pull-down resistors must be connected to both the D+ and D- pins. This is true for low, full, and high speed transmit speeds. With no hub or peripheral attached these pull-down resistors will condition the D+ and D- pins LOW. When both D+ and D- are less than  $V_{OL(max)}$  this signals a Single Ended Zero (SE0) state on the Host side which the Host side controlling ASIC monitors, telling it that data transmission is not possible in this condition.

On the upstream facing side there are two different configurations, one for low speed transmission and one for full or high speed transmission. When configuring for full speed data transmission, a  $1.5k\Omega \pm 5\%$  pull-up resistor is con-

nected between the D+ line and the 3.3V  $V_{pu}$  output. Upon connection of the peripheral to the host through the USB cable, the host side controller is signaled that a Peripheral is present. This is accomplished by the  $1.5k\Omega$  pull-up resistor which over comes the  $15k\Omega$  pull-down on the host side signaling a "Differential 1". This tells the host to prepare for full or high speed transfer. A "Differential 1" is defined as the state where D+ is greater than  $V_{OH(min)}$  and D- is less than  $V_{OL(max)}$ .

When configuring for low speed data transmission the peripheral is configured to send a "Differential 0". In this case a "Differential 0" is defined as the state where D+ is less than  $V_{OL(max)}$  and D- is greater than  $V_{OH(min)}$ . This is accomplished by placing a  $1.5k\Omega \pm 5\%$  pull-up resistor connected between the D- line and 3.3V  $V_{pu}$  output. Again many transceivers provide a regulated pull-up voltage for this purpose. When using this configuration as soon as the peripheral is connected to the host, with Vbus present, the  $1.5k\Omega$  pull-up resistor overcomes the  $15k\Omega$  pull-down resistor and signals a "Differential 0" to the host telling it to prepare for low speed data transfer. For a graphical representation of these concepts please refer to Figure 5.

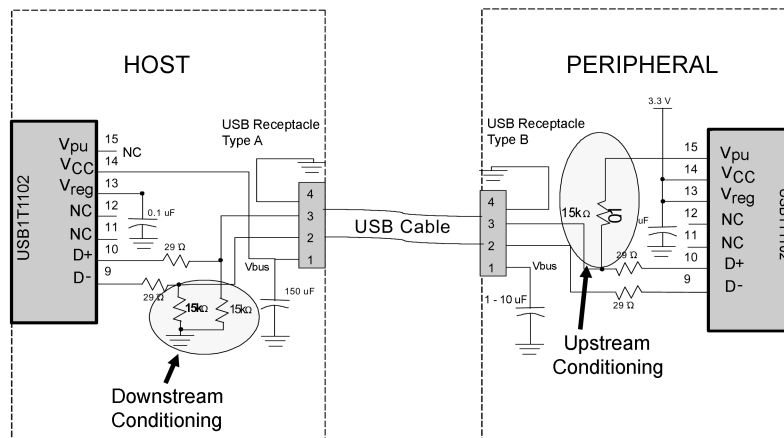


FIGURE 5. Typical Example of a USB Physical Layer using USB1T1102 Full Speed Transceivers

## System Power Configuration

In general, there are three different power configurations possible on the physical layer. These are Root Port Hubs, Bus-Powered Hubs, and Self-Powered Hubs. Figure 6 depicts a Root Port Hub powered configuration and is characterized by using the same power supply for both the host and hub. Figure 7 shows a Self Powered Hub configuration which means that the host and hub each have their own separate power supplies. The final configuration is the Bus Powered configuration where the Hub is powered via Vbus.

In all three figures the USB transceivers in the peripherals get power either through Vbus or from the peripheral power supply. Typically, designers will opt for the first option when working with ultra portable devices which are very power consumption conscious and prefer to use Vbus supplied power whenever possible to extend battery life of the device.

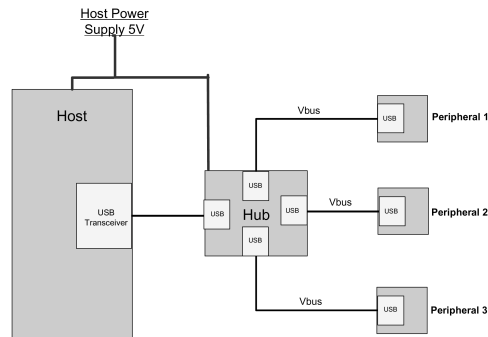


FIGURE 6. Root Port Hub

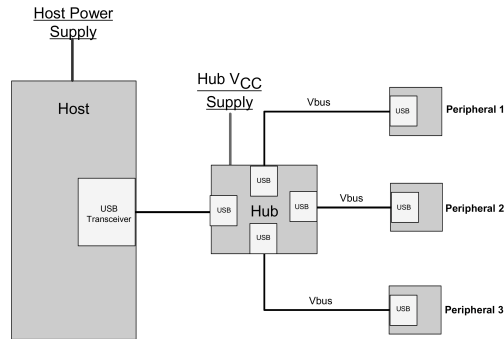


FIGURE 7. Self Powered Hub

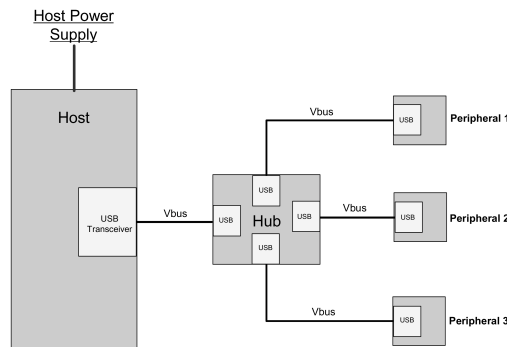


FIGURE 8. Bus Powered Hub

## Normal and Bypass Mode Configurations

Because there are multiple powering configurations possible for the physical layer and different power supplies from different sources are often at different voltage levels this requires the transceiver to be adaptable to whatever power supply configuration is chosen. The USB 2.0 specification requires that the signaling on the D+, D- lines be within 0V to 3.3V rails however the host supplied  $V_{CC}$  and subsequently  $V_{bus}$  is 5V. For this reason newer USB transceivers have internal voltage regulators built-in that translate the 5V  $V_{bus}$  down to 3.3V for use in data transmission. This is true for both the upstream and downstream facing transceivers. To accommodate this need the transceivers allow for either a 5V or 3.3V power supply. When using a

5V supply either from  $V_{bus}$  the Host or Hub power supply,  $V_{REG}$  is supplied with a 3.3V regulated output by the transceiver. When operating from a 5V rail in this manner it is referred to as "Normal Mode". A second option for the physical layer is called "Bypass Mode". This power configuration is possible when there is a 3.3V supply available to the transceiver (many handheld peripheral devices operate in this range and are capable of supplying the transceiver directly).  $V_{REG}$  and  $V_{CC}$  are then tied together and connected to the 3.3V power supply. Because the voltage regulator is effectively turned off in the configuration this mode is called Bypass Mode. Figure 9 and Figure 10 are examples of both normal and bypass configurations.

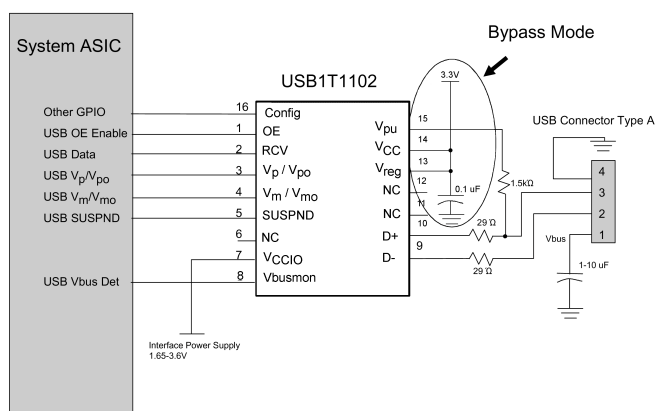


FIGURE 9. Upstream Connection in Bypass Mode with Differential Outputs

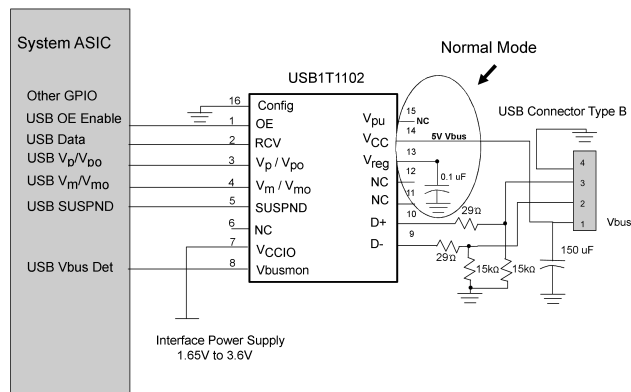


FIGURE 10. Downstream Connection in Normal Mode with Differential Outputs

## Interfacing with Mixed Voltage Control Signals

One final consideration to be addressed when implementing the USB physical layer is how to deal with the interface between the higher voltage physical layer device and lower voltage USB controllers. Many USB controllers are no longer independent devices or even part of the transceiver but have been integrated into small line width ASICs. Many of these ASICs operate at very low voltages in the range of 1.8V which causes a potential problem when trying to communicate with the physical layer. If we tried to send a 3.3V level control signal back into 1.8V ASIC this would at the

very least shorten the life of the ASIC and in the worst case cause reverse breakdowns leading to major current consumption and device failure. To overcome this problem physical layer devices allow their control outputs and data I/O pins to be conditioned to whatever voltage is required by the USB controller. This conditioning is accomplished by allowing the controller or system designer to condition the transceiver outputs by placing the required output rail voltage on an input control pin, labeled  $V_{CCIO}$ .

Fairchild does not assume any responsibility for use of any circuitry described, no circuit patent licenses are implied and Fairchild reserves the right at any time without notice to change said circuitry and specifications.

### LIFE SUPPORT POLICY

FAIRCHILD'S PRODUCTS ARE NOT AUTHORIZED FOR USE AS CRITICAL COMPONENTS IN LIFE SUPPORT DEVICES OR SYSTEMS WITHOUT THE EXPRESS WRITTEN APPROVAL OF THE PRESIDENT OF FAIRCHILD SEMICONDUCTOR CORPORATION. As used herein:

1. Life support devices or systems are devices or systems which, (a) are intended for surgical implant into the body, or (b) support or sustain life, and (c) whose failure to perform when properly used in accordance with instructions for use provided in the labeling, can be reasonably expected to result in a significant injury to the user.
2. A critical component in any component of a life support device or system whose failure to perform can be reasonably expected to cause the failure of the life support device or system, or to affect its safety or effectiveness.

[www.fairchildsemi.com](http://www.fairchildsemi.com)



ON Semiconductor and  are trademarks of Semiconductor Components Industries, LLC dba ON Semiconductor or its subsidiaries in the United States and/or other countries. ON Semiconductor owns the rights to a number of patents, trademarks, copyrights, trade secrets, and other intellectual property. A listing of ON Semiconductor's product/patent coverage may be accessed at [www.onsemi.com/site/pdf/Patent-Marking.pdf](http://www.onsemi.com/site/pdf/Patent-Marking.pdf). ON Semiconductor reserves the right to make changes without further notice to any products herein. ON Semiconductor makes no warranty, representation or guarantee regarding the suitability of its products for any particular purpose, nor does ON Semiconductor assume any liability arising out of the application or use of any product or circuit, and specifically disclaims any and all liability, including without limitation special, consequential or incidental damages. Buyer is responsible for its products and applications using ON Semiconductor products, including compliance with all laws, regulations and safety requirements or standards, regardless of any support or applications information provided by ON Semiconductor. "Typical" parameters which may be provided in ON Semiconductor data sheets and/or specifications can and do vary in different applications and actual performance may vary over time. All operating parameters, including "Typicals" must be validated for each customer application by customer's technical experts. ON Semiconductor does not convey any license under its patent rights nor the rights of others. ON Semiconductor products are not designed, intended, or authorized for use as a critical component in life support systems or any FDA Class 3 medical devices or medical devices with a same or similar classification in a foreign jurisdiction or any devices intended for implantation in the human body. Should Buyer purchase or use ON Semiconductor products for any such unintended or unauthorized application, Buyer shall indemnify and hold ON Semiconductor and its officers, employees, subsidiaries, affiliates, and distributors harmless against all claims, costs, damages, and expenses, and reasonable attorney fees arising out of, directly or indirectly, any claim of personal injury or death associated with such unintended or unauthorized use, even if such claim alleges that ON Semiconductor was negligent regarding the design or manufacture of the part. ON Semiconductor is an Equal Opportunity/Affirmative Action Employer. This literature is subject to all applicable copyright laws and is not for resale in any manner.

## PUBLICATION ORDERING INFORMATION

### LITERATURE FULFILLMENT:

Literature Distribution Center for ON Semiconductor  
19521 E. 32nd Pkwy, Aurora, Colorado 80011 USA  
**Phone:** 303-675-2175 or 800-344-3860 Toll Free USA/Canada  
**Fax:** 303-675-2176 or 800-344-3867 Toll Free USA/Canada  
**Email:** [orderlit@onsemi.com](mailto:orderlit@onsemi.com)

**N. American Technical Support:** 800-282-9855 Toll Free  
USA/Canada  
**Europe, Middle East and Africa Technical Support:**  
Phone: 421 33 790 2910  
**Japan Customer Focus Center**  
Phone: 81-3-5817-1050

**ON Semiconductor Website:** [www.onsemi.com](http://www.onsemi.com)  
**Order Literature:** <http://www.onsemi.com/orderlit>  
For additional information, please contact your local  
Sales Representative