

Title of Change:	AR0522 Datasheet Update
Effective date:	03 Jul 2020
Contact information:	Contact your local ON Semiconductor Sales Office or Sonya.Yip@onsemi.com
Type of notification:	This Product Bulletin is for notification purposes only. ON Semiconductor will proceed with implementation of this change upon publication of this Product Bulletin.
Change Category:	Documentation Change
Change Sub-Category(s):	Datasheet/Product Doc change

Sites Affected:

ON Semiconductor Sites	External Foundry/Subcon Sites
None	None

Description and Purpose:

Description and Purpose:

The AR0522 Datasheet has been updated. These changes do not affect form, fit, or function of the product.

AR0522 Datasheet Changes

1. Updated Figure 3, “Typical Configuration: Serial Four-Lane HISPI Interface” Notes

Old Figure 3:

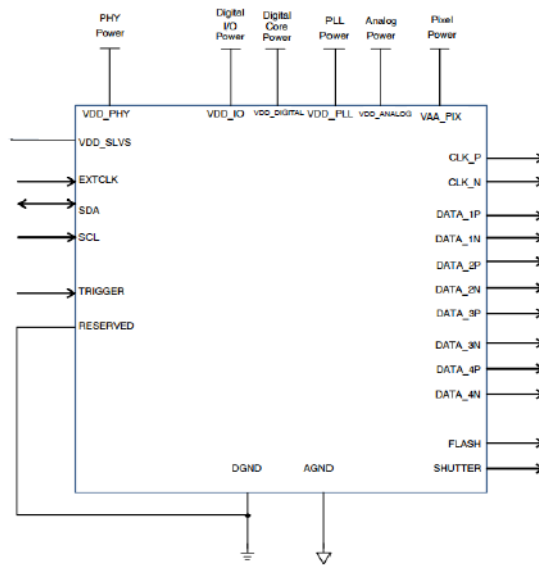


Figure 3. Typical Configuration: Serial Four-Lane HISPI Interface

1. If using an internal regulator, leave VDD_SLVS floating and set R0x31BC[13]=1 and R0x31BE[3:2]=0
2. If connecting DVDD_SLVS to 0.4V external power supply, set R0x31BC[13]=0 and R0x31BE[3:2]=1



New Figure 3:

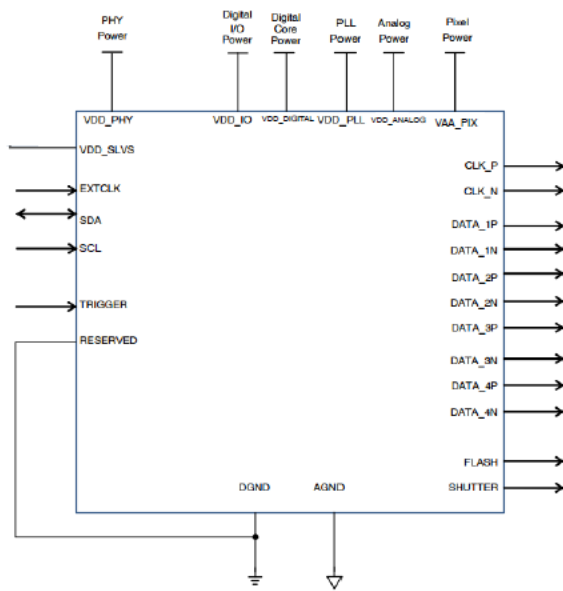


Figure 3. Typical Configuration: Serial Four-Lane HISPI Interface

1. If VDD_SLVS uses the internal regulator, decouple VDD_SLVS with a 0.1 μ F ceramic capacitor to DGND and set R0x31BC[13]=1 and R0x31BE[3:2]=0.
2. If VDD_SLVS uses 0.4 V external power supply, set R0x31BC[13]=0 and R0x31BE[3:2]=1.

List of Affected Standard Parts:

Note: Only the standard (off the shelf) part numbers are listed in the parts list. Any custom parts affected by this PCN are shown in the customer specific PCN addendum in the PCN email notification, or on the **PCN Customized Portal**.

AR0522SRSC09SURA0-DP	AR0522SRSC09SURA0-DR	AR0522SRSM09SURA0-DP
AR0522SRSM09SURA0-DR		