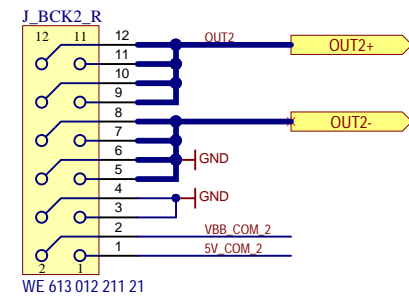
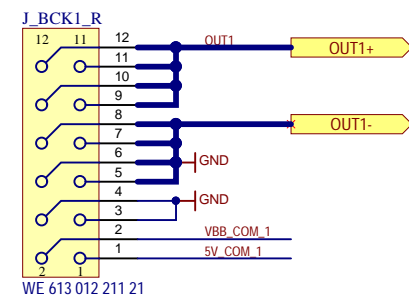
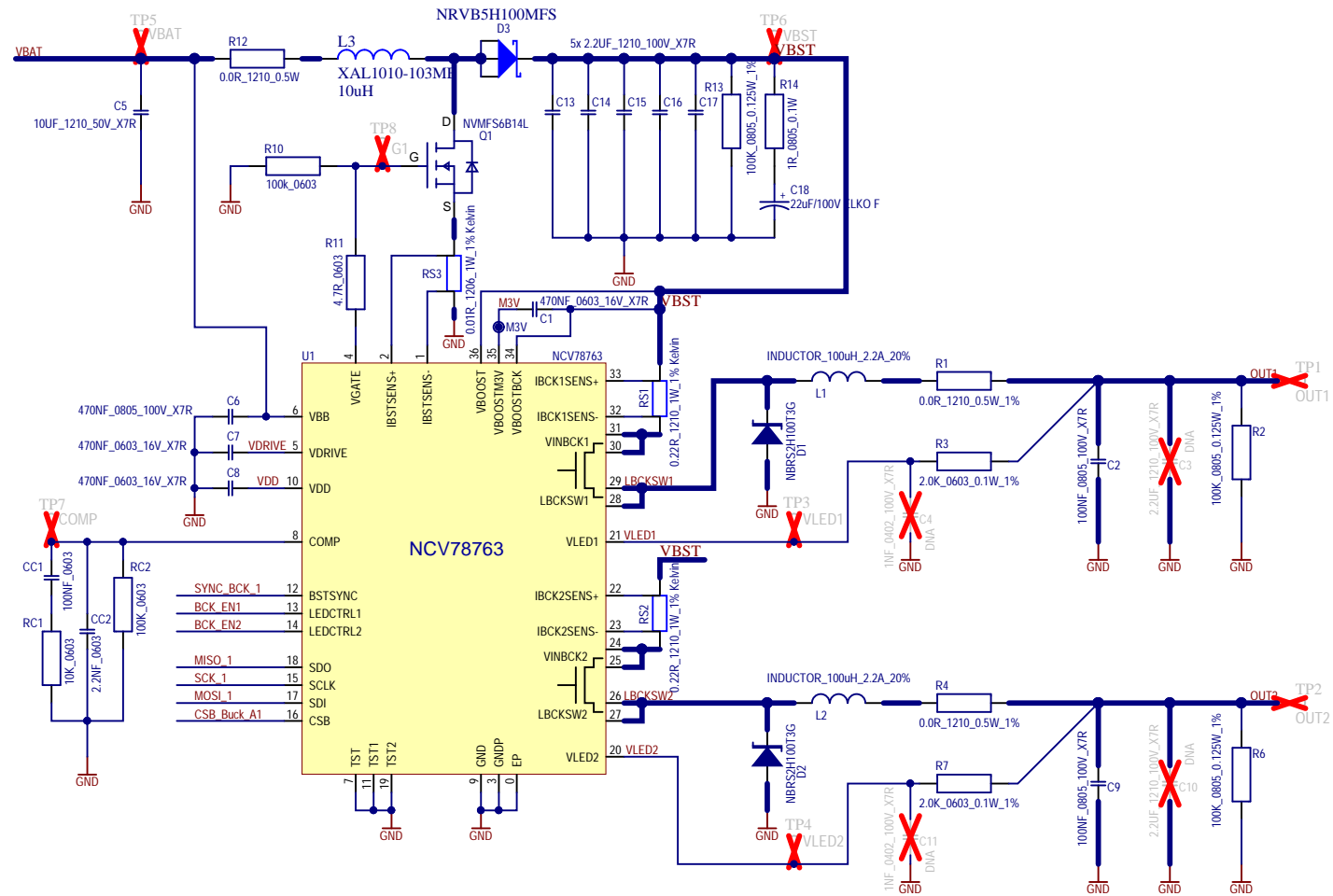
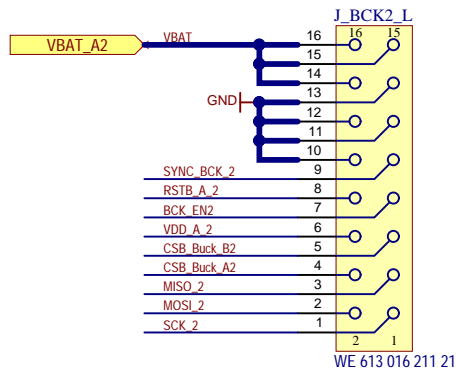
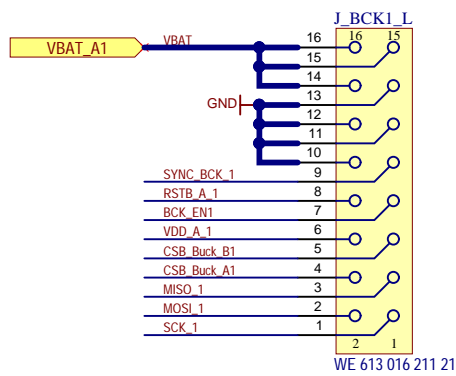
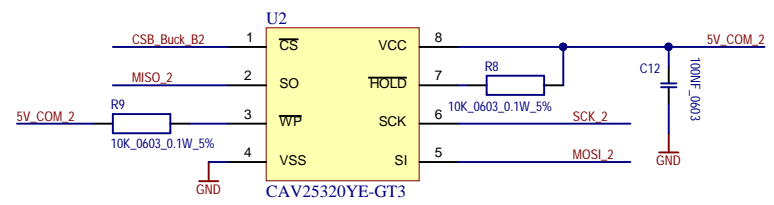


# LED DRIVER NCV78763



## Onboard EEPROM



Automotive Products Division Videnska 204/125 619 00 Brno Czech Republic			
PROJECT		<b>NCV78763 Daughter Board</b>	
SCHEMATIC		<b>DB_NCV78763_v1.0.SchDoc</b>	
CUSTOMER		ON Semiconductor	AUTHOR Jiri MATOUSEK
Size A3	REV. A	SHEET No. 1	TOTAL SHEETS 1
TIMESTAMP		14/05/2018 11:38:23	