

CONFIGURATION SHEET

1. Default Configuration: UART over CAN --> M-LVDS

OnMCU UART2 --> CAN --> 1st NCV78343 (RS) --> M-LVDS --> 2nd NCV78343 (S) --> M-LVDS

Assembly: R102, R103, R104, R105, R106, R107, R110, R113, R114, R115
 Note: RXD1 and TXD1 is set to High Z

Do not assembly: R108, R109, R111, R112, R116, R117

2. Configuration: UART --> M-LVDS

OnMCU UART1 --> 1st NCV78343 (RS) --> M-LVDS --> 2nd NCV78343 --> M-LVDS

Assembly: R106, R107, R110, R113, R114, R115

Do not assembly: R102, R103, R104, R105, R108, R109, R111, R112, R116, R117

3. Configuration: M-LVDS only

OnMCU UART2 --> M-LVDS --> 1st NCV78343 --> M-LVDS --> 2nd NCV78343

Assembly: R111, R113, R114, R115, R116, R117

Do not assembly: R102, R103, R104, R105, R106, R107, R108, R109, R110, R112

4. Configuration: UART only

OnMCU UART1 --> 1st NCV78343 && 2nd NCV78343 (common UART)

Assembly: R106, R107, R108, R109, R110, R112

Do not assembly: R102, R103, R104, R105, R111, R113, R114, R115, R16, R117

5. Configuration: External CAN to UART --> M-LVDS

J_CAN --> 1st NCV78343 (RS) --> M-LVDS --> 2nd NCV78343 --> M-LVDS

Assembly: R104, R105, R106, R107, R110, R113, R114, R115
 Note: RXD1 and TXD1 is set to High Z

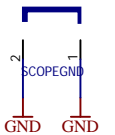
Do not assembly: R102, R103, R108, R109, R111, R112, R116, R117

6. configuration: External CAN to UART only

J_CAN --> 1st NCV78343 && 2nd NCV78343 (common UART)

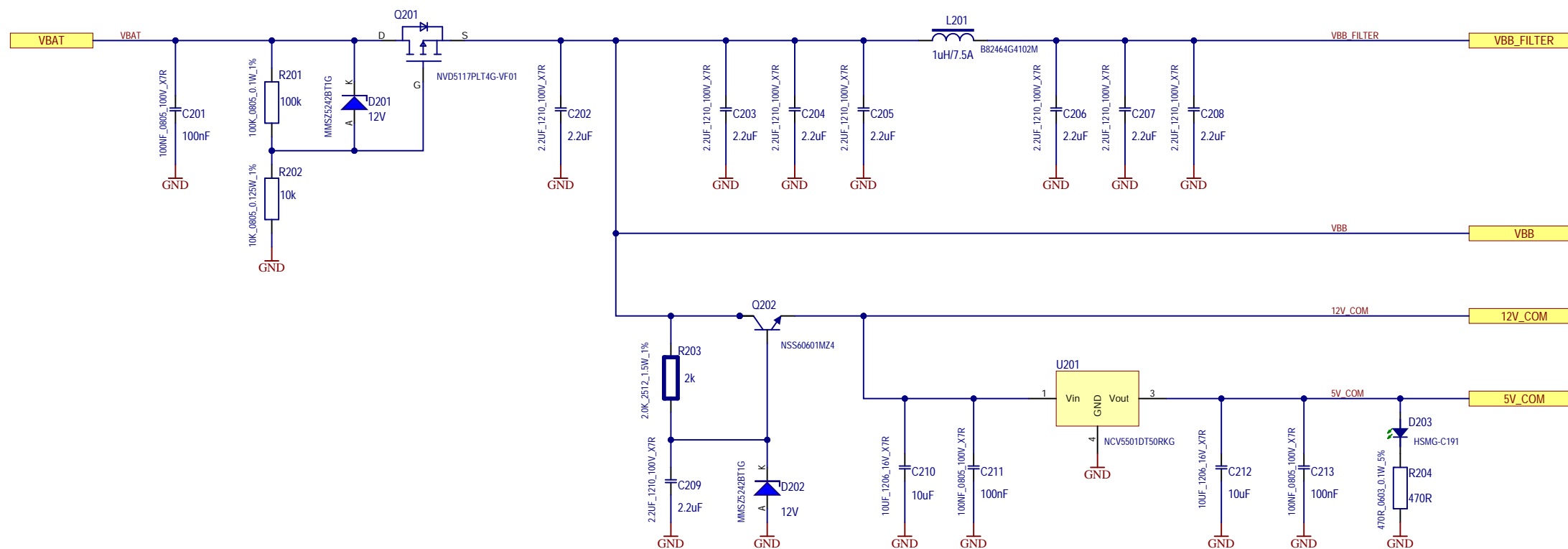
Assembly: R104, R105, R106, R107, R108, R109, R110, R112
 Note: RXD1 and TXD1 is set to High Z

Do not assembly: R102, R103, R111, R113, R114, R115, R116, R117



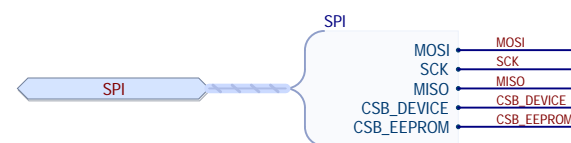
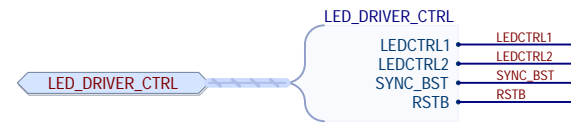
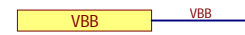
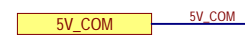
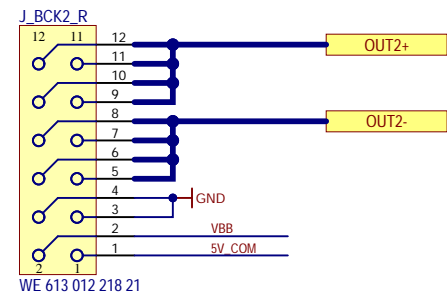
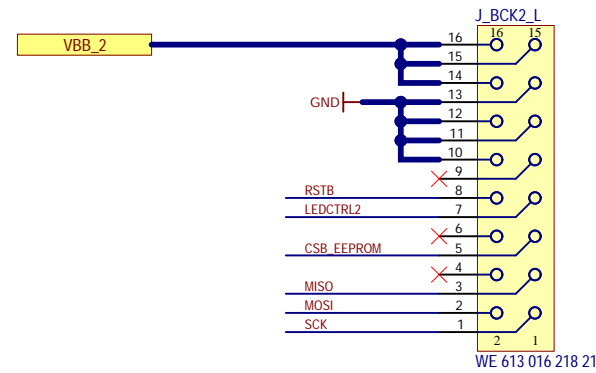
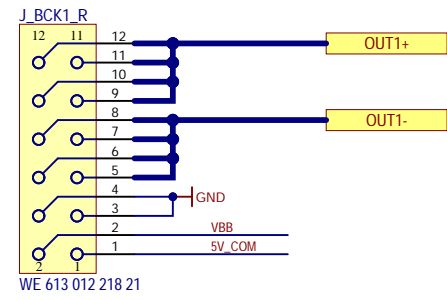
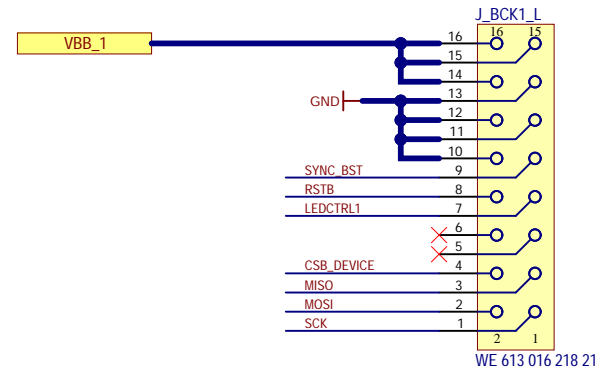
		Automotive Products Division	
		Videnska 204/125 619 00 Brno Czech Republic	
PCB PROJECT	NCV78343 EVK	VARIANT	[No Variations]
SCHEMATIC	NCV78343_EVK_V4_Top.SchDoc		
CUSTOMER	onsemi	AUTHOR	Jiri Daniel
STATUS	PRODUCTION		
Size	REV.	SHEET No.	TOTAL SHEETS
A3		1	8
TIMESTAMP		REVISION	
30.08.2022 15:23:15			

BATTERY REVERSE POLARITY PROTECTION + FILTER + 5V LDO



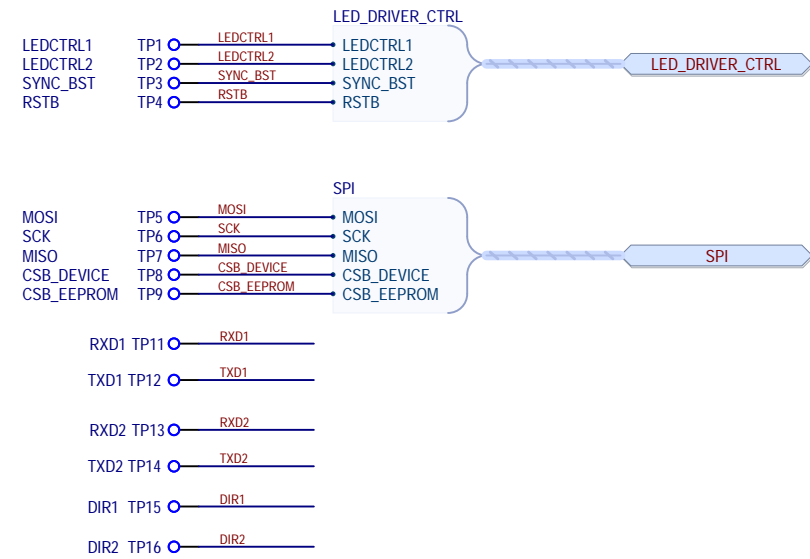
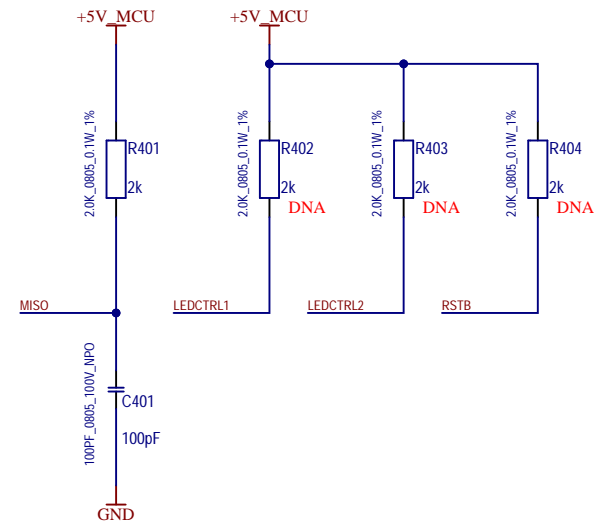
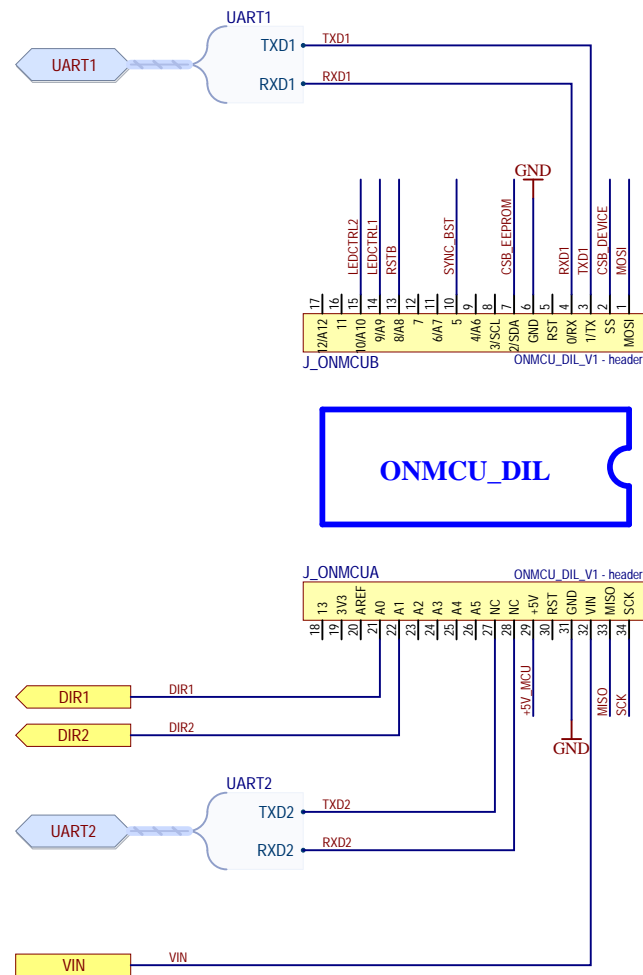
		Automotive Products Division	
		Videnska 204/125 619 00 Brno Czech Republic	
PCB PROJECT	NCV78343 EVK	VARIANT	[No Variations]
SCHEMATIC	NCV78343_EVK_V4_Power.SchDoc		
CUSTOMER	onsemi	AUTHOR	Jiri Daniel
STATUS	PRODUCTION		
Size	REV.	SHEET No.	TOTAL SHEETS
A3		2	8
TIMESTAMP		REVISION	
30.08.2022 15:23:15			

SLOT FOR LED DRIVER



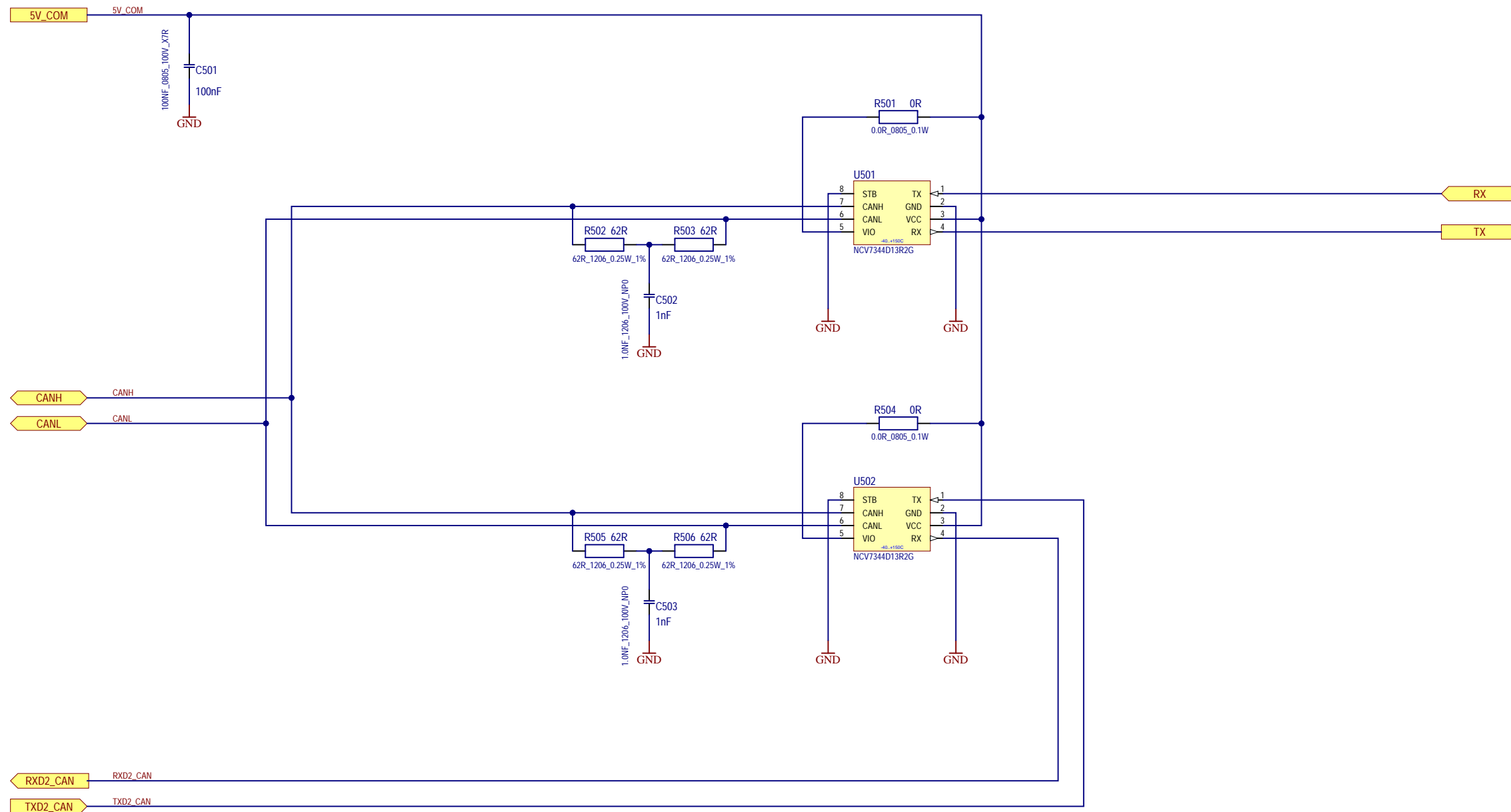
		Automotive Products Division Videnska 204/125 619 00 Brno Czech Republic					
		PCB PROJECT	NCV78343 EVK			VARIANT	[No Variations]
SCHEMATIC							NCV78343_EVK_V4_LED_Driver.SchDoc
CUSTOMER				onsemi	AUTHOR		Jiri Daniel
STATUS							PRODUCTION
Size	REV.	SHEET No.	TOTAL SHEETS	TIMESTAMP	REVISION		
A3		3	8	30.08.2022 15:23:15			

ONMCU CTRL BOARD



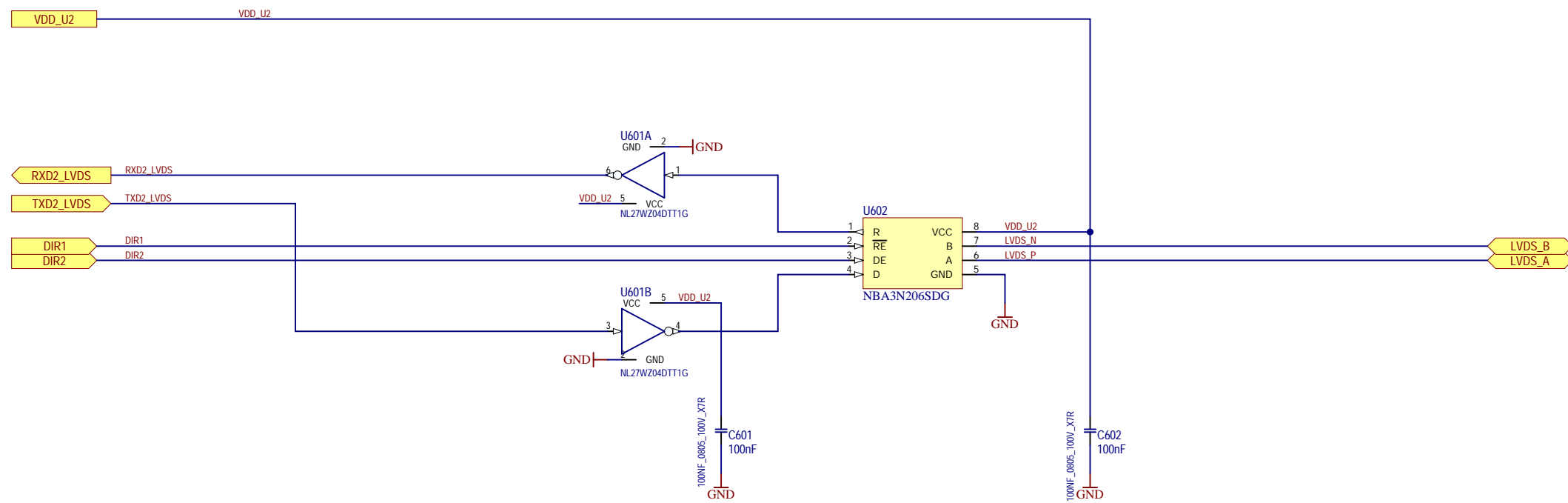
		Automotive Products Division Videnska 204/125 619 00 Brno Czech Republic			
		PCB PROJECT	NCV78343 EVK	VARIANT	[No Variations]
SCHEMATIC				NCV78343_EVK_V4_MCU.SchDoc	
CUSTOMER		onsemi	AUTHOR	Jiri Daniel	
STATUS				PRODUCTION	
Size	REV.	SHEET No.	TOTAL SHEETS	TIMESTAMP	REVISION
A3		4	8	30.08.2022 15:23:15	

UART OVER CAN PHYSICAL LAYER



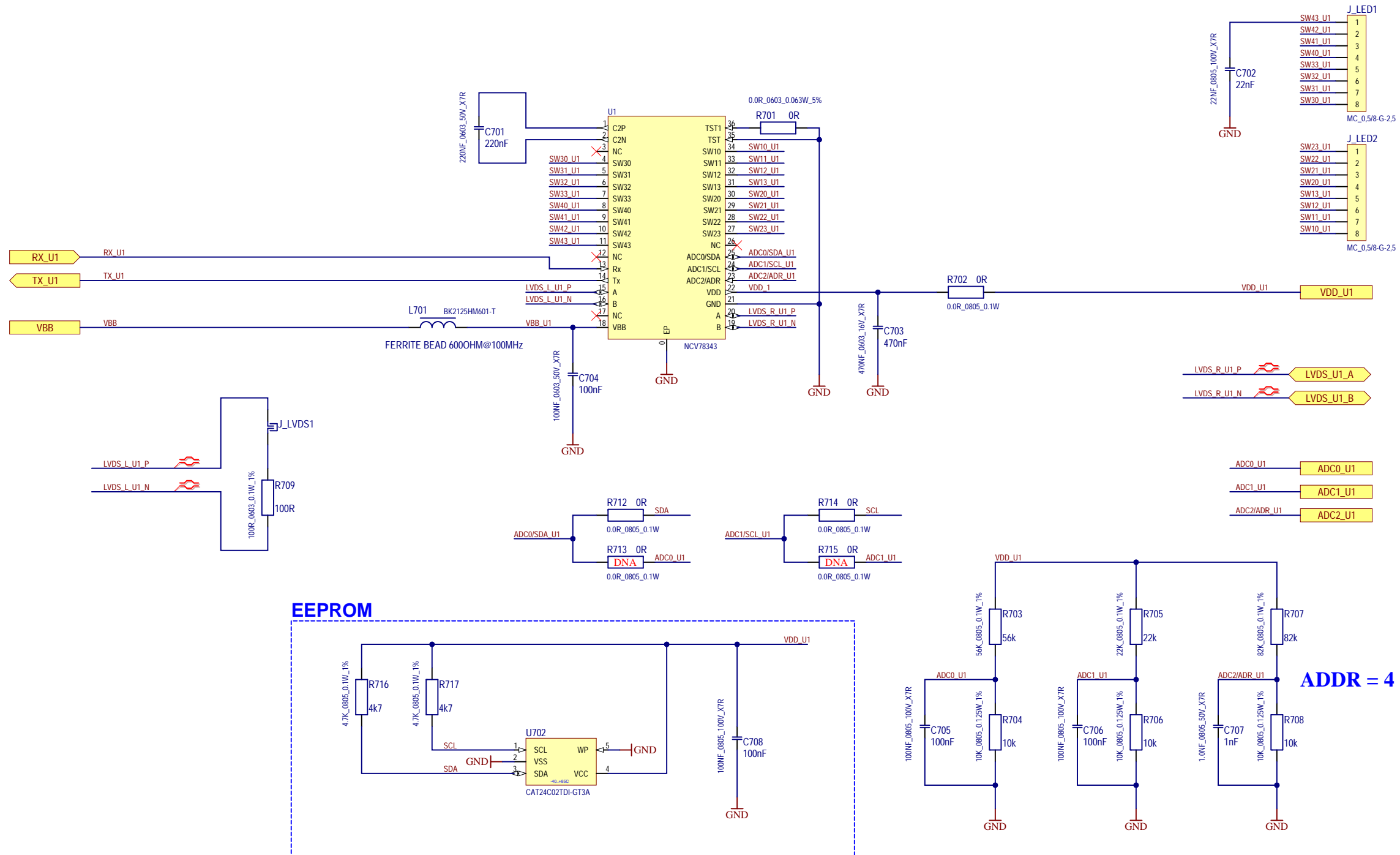
		Automotive Products Division Videnska 204/125 619 00 Brno Czech Republic			
		PCB PROJECT	NCV78343 EVK	VARIANT	[No Variations]
SCHEMATIC		NCV78343_EVK_V4_CAN_PHY.SchDoc			
CUSTOMER		onsemi	AUTHOR Jiri Daniel		
STATUS		PRODUCTION			
Size	REV.	SHEET No.	TOTAL SHEETS	TIMESTAMP	REVISION
A3		5	8	30.08.2022 15:23:15	

UART OVER M-LVDS PHYSICAL LAYER



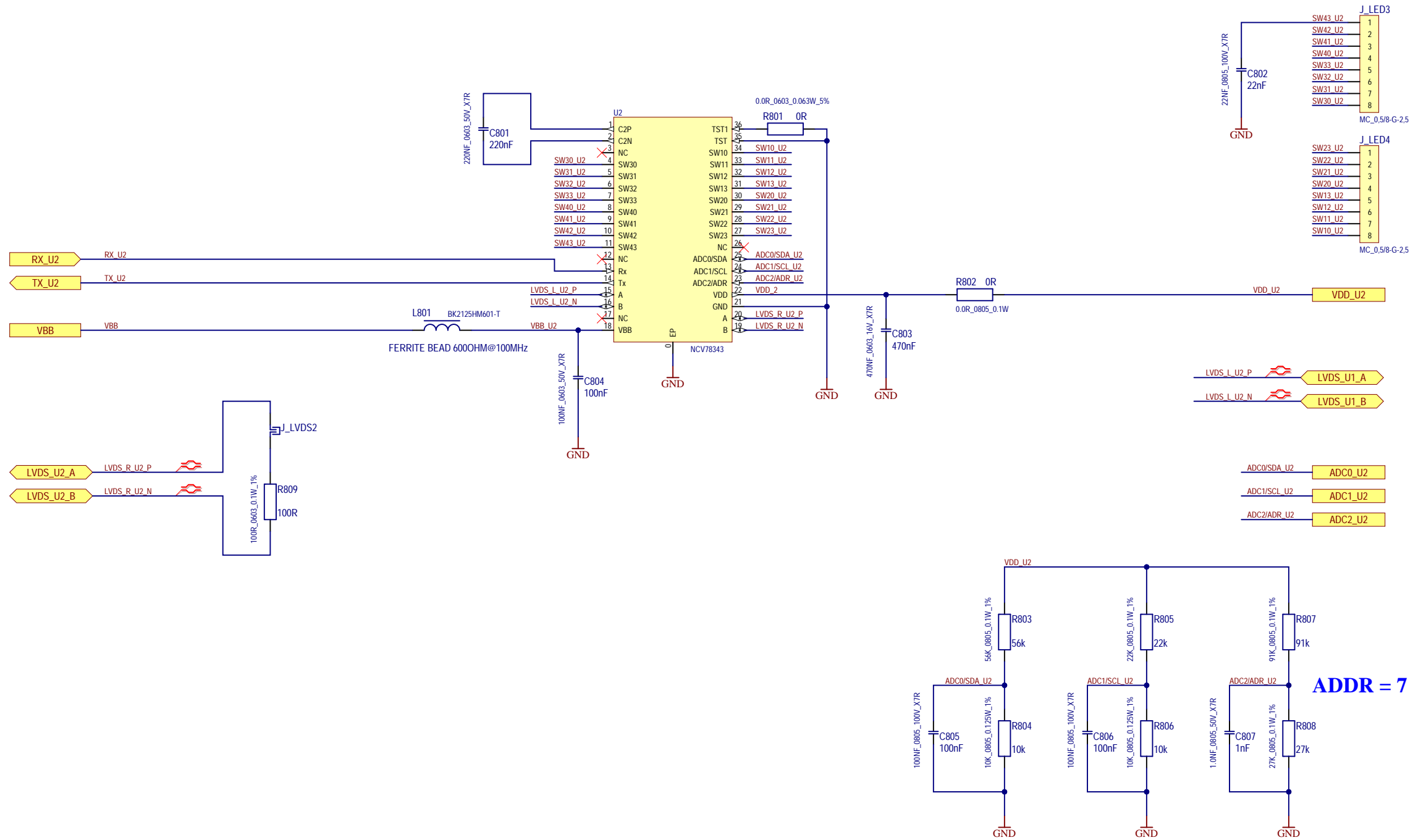
		Automotive Products Division Videnska 204/125 619 00 Brno Czech Republic			
		PCB PROJECT	NCV78343 EVK	VARIANT	[No Variations]
SCHEMATIC		NCV78343_EVK_V4_M-LVDS_PHY.SchDoc			
CUSTOMER		onsemi	AUTHOR	Jiri Daniel	
STATUS		PRODUCTION			
Size	REV.	SHEET No.	TOTAL SHEETS	TIMESTAMP	REVISION
A3		6	8	30.08.2022 15:23:15	

NCV78343 PIXEL CONTROLLER DEVICE 1 (REPEATER-SLAVE)



		Automotive Products Division Videnska 204/125 619 00 Brno Czech Republic			
		PCB PROJECT	NCV78343 EVK	VARIANT	[No Variations]
SCHEMATIC		NCV78343_EVK_V4_Device_1.SchDoc			
CUSTOMER		onsemi	AUTHOR	Jiri Daniel	
STATUS		PRODUCTION			
Size	REV.	SHEET No.	TOTAL SHEETS	TIMESTAMP	REVISION
A3		7	8	30.08.2022 15:23:16	

NCV78343 PIXEL CONTROLLER DEVICE 2 (SLAVE)



onsemi		Automotive Products Division Videnska 204/125 619 00 Brno Czech Republic	
PCB PROJECT	NCV78343 EVK	VARIANT	[No Variations]
SCHEMATIC	NCV78343_EVK_V4_Device_2.SchDoc		
CUSTOMER	onsemi	AUTHOR	Jiri Daniel
STATUS	PRODUCTION		
Size	REV.	SHEET No.	TOTAL SHEETS
A3		8	8
			TIMESTAMP
			30.08.2022 15:23:16
			REVISION