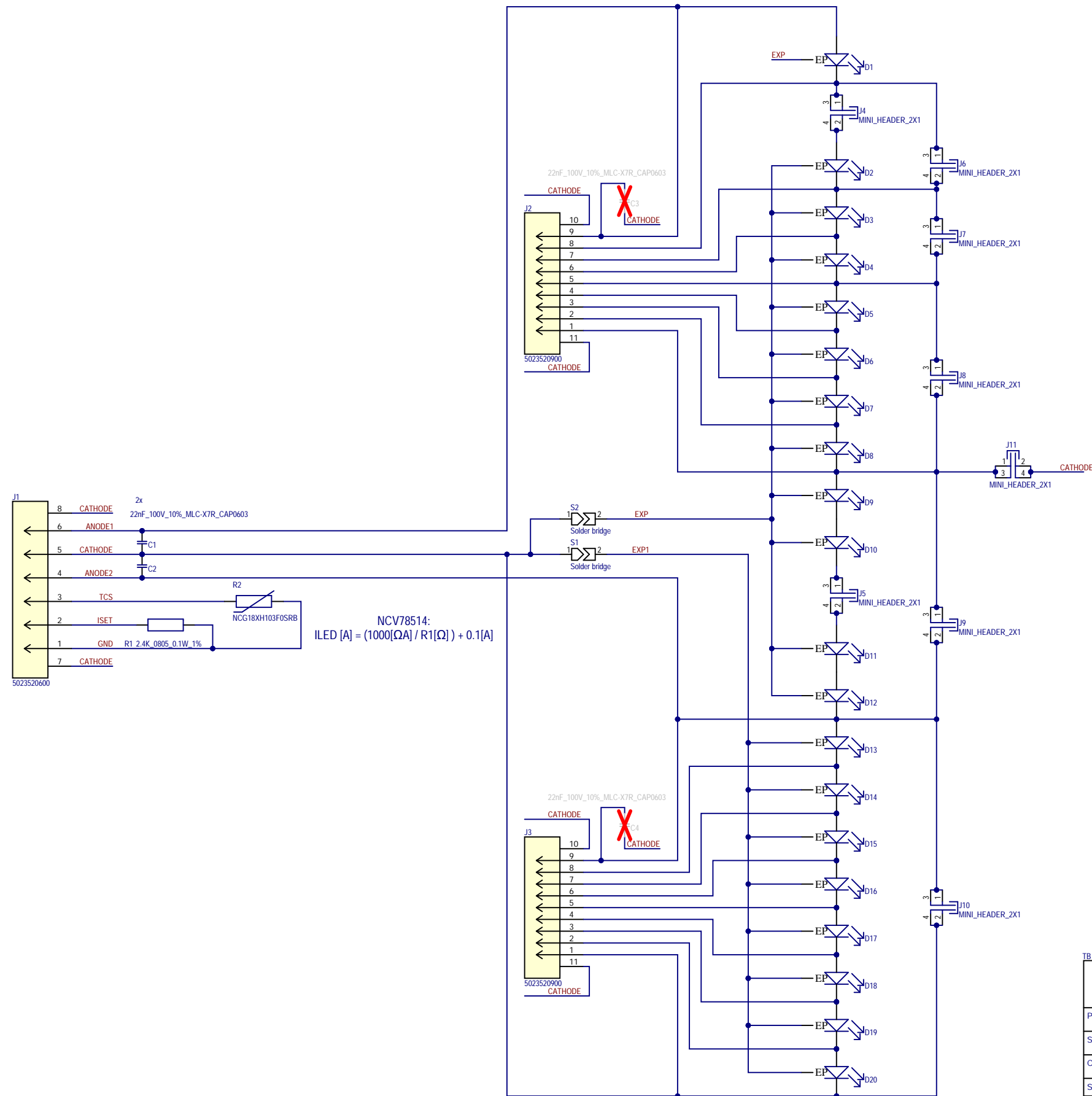


LED MODULE v2.0



		AMG Videnska 204/125 619 00 Brno Czech Republic	
		PCB PROJECT LED MODULE v2.0	VARIANTE DB_LEDMODULE_v2.0_Std
SCHEMATIC DB_LEDMODULE_v2.0.SchDoc		CUSTOMER Martin REJTHAR	
STATUS Active		AUTHOR Martin REJTHAR	
Size A3	REV. 1.0	SHEET No. 1	TOTAL SHEETS 1
TIMESTAMP 7/18/2024 10:06:34 AM		REVISION 1.0	