



NCV7422V1GEVB

NCV7422 Dual LIN Transceiver Evaluation Board User's Manual

ON Semiconductor®

www.onsemi.com

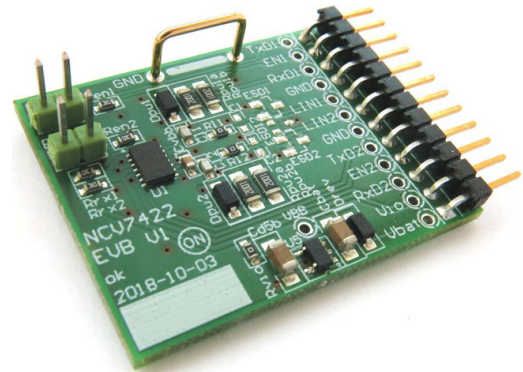
EVAL BOARD USER'S MANUAL

INTRODUCTION

This document describes the evaluation board for the ON Semiconductor two channel LIN transceiver NCV7422. The board provides basic connections for a device evaluation.

EVALUATION BOARD FEATURES

- One-row pin header providing access to all the device pins, enables easy insertion of the evaluation board into a more complex application setup.
- On-board 5 V LDO for Rx/D1/2 pull-up resistors and EN inputs
- Standard LIN master terminations
- Position for optional ESD protection



NCV7422V1GEVB Evaluation Board

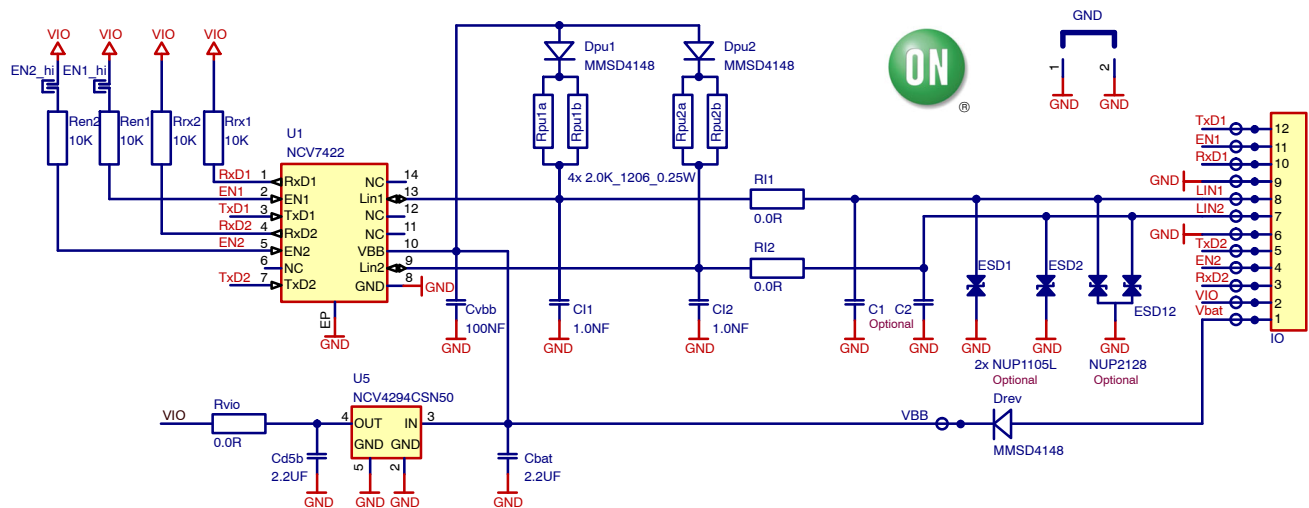


Figure 1. NCV7422 Evaluation Board Schematic

NCV7422V1GEVB

Table 1. ABSOLUTE MAXIMUM RATINGS

Rating	Pins	Min	Max	Unit
Battery supply voltage	Vbat	-42	42	V
Digital inputs/outputs supply voltage	VIO (Rvio not used)	-0.3	7	V
Digital inputs/outputs voltage	TxD1/2, RxD1/2, EN1/2	-0.3	7	V
LIN bus line voltage	LIN1, LIN2	-42	42	V
NCV7422 junction temperature		-40	+150	°C
Board temperature		-40	+125	°C

Stresses exceeding those listed in the Maximum Ratings table may damage the device. If any of these limits are exceeded, device functionality should not be assumed, damage may occur and reliability may be affected.

Table 2. RECOMMENDED BOARD OPERATING CONDITIONS

Rating	Pins	Min	Max	Unit
Battery supply voltage	Vbat	5	18	V
Digital inputs/outputs supply voltage	VIO (Rvio not used)	2.8	7	V
Digital inputs/outputs voltage	TxD1/2, RxD1/2, EN1/2	0	VIO	V
LIN bus line voltage	LIN1, LIN2	0	Vbat	V
NCV7422 junction temperature		-40	+150	°C
Board temperature		-40	+125	°C

Functional operation above the stresses listed in the Recommended Operating Ranges is not implied. Extended exposure to stresses beyond the Recommended Operating Ranges limits may affect device reliability.

OPERATIONAL GUIDELINES

NCV7422 evaluation board allows easy evaluation of NCV7422 two channel LIN transceiver. It provides connection to all the device's pins as well as positions for all the necessary master / slave LIN bus external components.

Configurations and assembly options are listed in Table 3. For more information please check NCV7422 transceiver datasheet at www.onsemi.com.

Table 3. ASSEMBLY OPTIONS AND CONFIGURATIONS

Component	Master (Default)	Slave	Function
Dpu1, Dpu2	MMSD4148	-	Master pull-up diodes
Rpu1a/b, Rpu2a/b	2.0k	-	Master pull-up resistors
CI1, CI2	1nF	220pF	LIN bus capacitors
C1, C2	-	-	LIN bus capacitors
RI1, RI2	0R		LIN bus serial impedance
ESD1, ESD2	optional		LIN bus ESD protections
Rvio	0R		Connection on-board LDO to TxD1/2 and EN1/2 pull-up resistors. If removed, external supply can be used (connected to VIO).
EN1/2_hi	Closed		EN1/2 pin connections: Open = EN1/2 weak internal pull-down = Sleep mode Closed = EN1/2 pulled up to VIO (5 V by default) = Normal mode

NCV7422V1GEVB

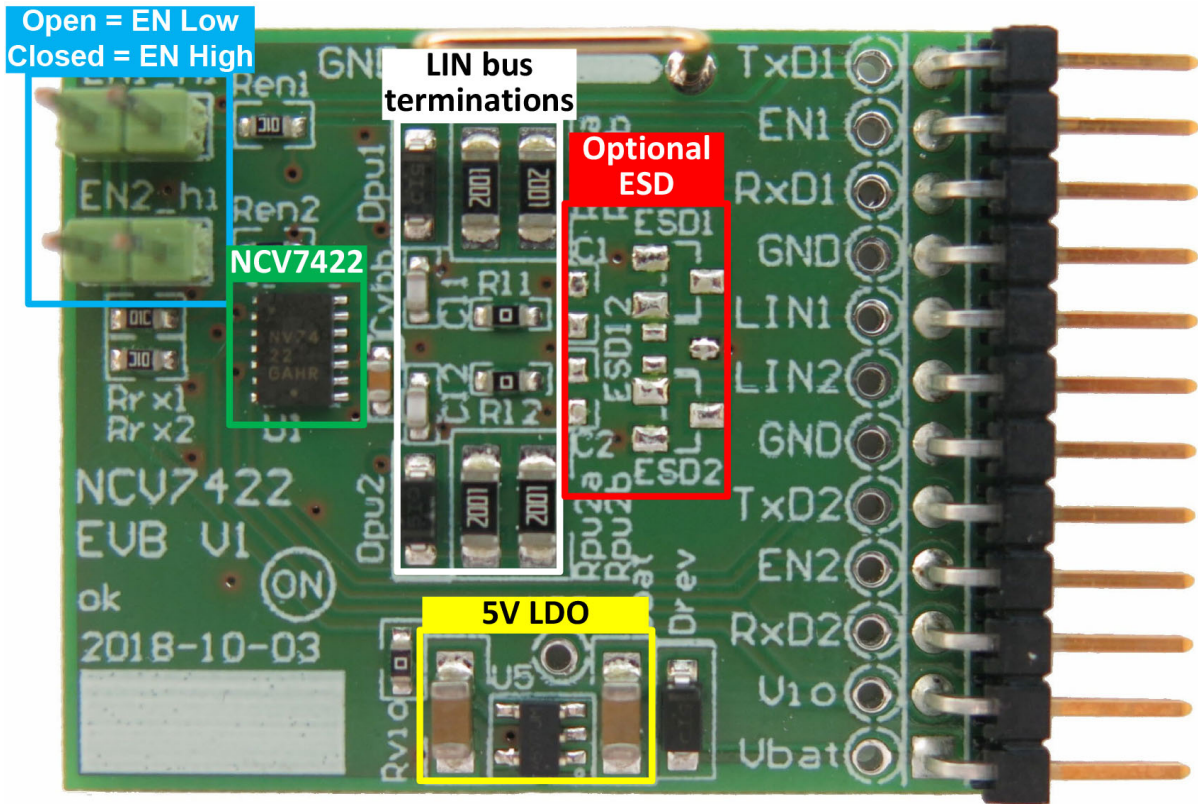


Figure 2. NCV7422 PCB Bottom Composite Drawing (Mirrored)

PCB DRAWINGS

Composite Drawings

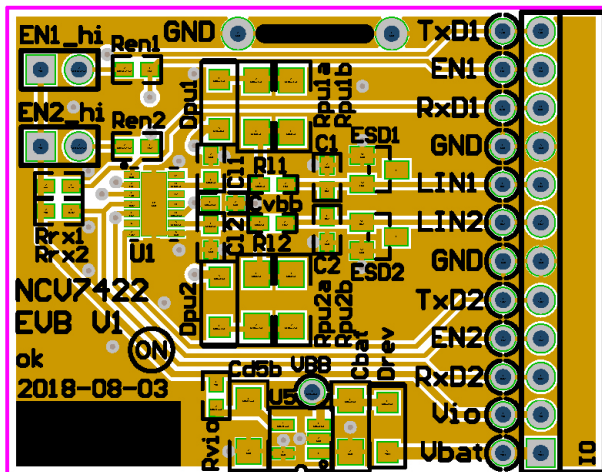


Figure 3. NCV7422 EVB PCB Top Drawing

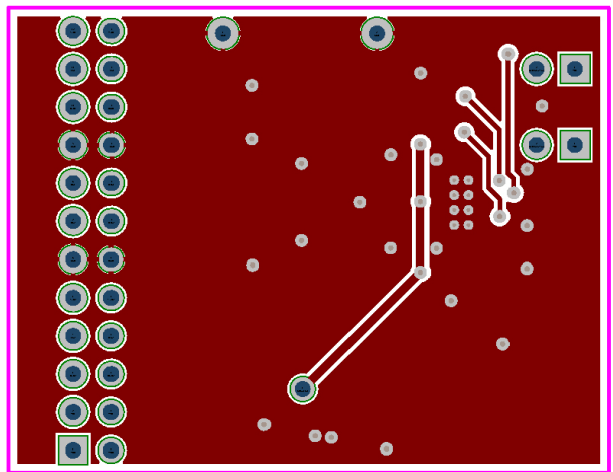


Figure 4. NCV7422 EVB PCB Bottom Drawing (Bottom View)

onsemi, **Onsemi**, and other names, marks, and brands are registered and/or common law trademarks of Semiconductor Components Industries, LLC dba "**onsemi**" or its affiliates and/or subsidiaries in the United States and/or other countries. **onsemi** owns the rights to a number of patents, trademarks, copyrights, trade secrets, and other intellectual property. A listing of **onsemi**'s product/patent coverage may be accessed at www.onsemi.com/site/pdf/Patent-Marking.pdf. **onsemi** is an Equal Opportunity/Affirmative Action Employer. This literature is subject to all applicable copyright laws and is not for resale in any manner.

The evaluation board/kit (research and development board/kit) (hereinafter the "board") is not a finished product and is not available for sale to consumers. The board is only intended for research, development, demonstration and evaluation purposes and will only be used in laboratory/development areas by persons with an engineering/technical training and familiar with the risks associated with handling electrical/mechanical components, systems and subsystems. This person assumes full responsibility/liability for proper and safe handling. Any other use, resale or redistribution for any other purpose is strictly prohibited.

THE BOARD IS PROVIDED BY ONSEMI TO YOU "AS IS" AND WITHOUT ANY REPRESENTATIONS OR WARRANTIES WHATSOEVER. WITHOUT LIMITING THE FOREGOING, ONSEMI (AND ITS LICENSORS/SUPPLIERS) HEREBY DISCLAIMS ANY AND ALL REPRESENTATIONS AND WARRANTIES IN RELATION TO THE BOARD, ANY MODIFICATIONS, OR THIS AGREEMENT, WHETHER EXPRESS, IMPLIED, STATUTORY OR OTHERWISE, INCLUDING WITHOUT LIMITATION ANY AND ALL REPRESENTATIONS AND WARRANTIES OF MERCHANTABILITY, FITNESS FOR A PARTICULAR PURPOSE, TITLE, NON-INFRINGEMENT, AND THOSE ARISING FROM A COURSE OF DEALING, TRADE USAGE, TRADE CUSTOM OR TRADE PRACTICE.

onsemi reserves the right to make changes without further notice to any board.

You are responsible for determining whether the board will be suitable for your intended use or application or will achieve your intended results. Prior to using or distributing any systems that have been evaluated, designed or tested using the board, you agree to test and validate your design to confirm the functionality for your application. Any technical, applications or design information or advice, quality characterization, reliability data or other services provided by **onsemi** shall not constitute any representation or warranty by **onsemi**, and no additional obligations or liabilities shall arise from **onsemi** having provided such information or services.

onsemi products including the boards are not designed, intended, or authorized for use in life support systems, or any FDA Class 3 medical devices or medical devices with a similar or equivalent classification in a foreign jurisdiction, or any devices intended for implantation in the human body. You agree to indemnify, defend and hold harmless **onsemi**, its directors, officers, employees, representatives, agents, subsidiaries, affiliates, distributors, and assigns, against any and all liabilities, losses, costs, damages, judgments, and expenses, arising out of any claim, demand, investigation, lawsuit, regulatory action or cause of action arising out of or associated with any unauthorized use, even if such claim alleges that **onsemi** was negligent regarding the design or manufacture of any products and/or the board.

This evaluation board/kit does not fall within the scope of the European Union directives regarding electromagnetic compatibility, restricted substances (RoHS), recycling (WEEE), FCC, CE or UL, and may not meet the technical requirements of these or other related directives.

FCC WARNING – This evaluation board/kit is intended for use for engineering development, demonstration, or evaluation purposes only and is not considered by **onsemi** to be a finished end product fit for general consumer use. It may generate, use, or radiate radio frequency energy and has not been tested for compliance with the limits of computing devices pursuant to part 15 of FCC rules, which are designed to provide reasonable protection against radio frequency interference. Operation of this equipment may cause interference with radio communications, in which case the user shall be responsible, at its expense, to take whatever measures may be required to correct this interference.

onsemi does not convey any license under its patent rights nor the rights of others.

LIMITATIONS OF LIABILITY: **onsemi** shall not be liable for any special, consequential, incidental, indirect or punitive damages, including, but not limited to the costs of requalification, delay, loss of profits or goodwill, arising out of or in connection with the board, even if **onsemi** is advised of the possibility of such damages. In no event shall **onsemi**'s aggregate liability from any obligation arising out of or in connection with the board, under any theory of liability, exceed the purchase price paid for the board, if any.

The board is provided to you subject to the license and other terms per **onsemi**'s standard terms and conditions of sale. For more information and documentation, please visit www.onsemi.com.

ADDITIONAL INFORMATION

TECHNICAL PUBLICATIONS:

Technical Library: www.onsemi.com/design/resources/technical-documentation
onsemi Website: www.onsemi.com

ONLINE SUPPORT: www.onsemi.com/support

For additional information, please contact your local Sales Representative at www.onsemi.com/support/sales