

ON Semiconductor

Is Now

onsemi™

To learn more about onsemi™, please visit our website at
www.onsemi.com

onsemi and **onsemi** and other names, marks, and brands are registered and/or common law trademarks of Semiconductor Components Industries, LLC dba "**onsemi**" or its affiliates and/or subsidiaries in the United States and/or other countries. **onsemi** owns the rights to a number of patents, trademarks, copyrights, trade secrets, and other intellectual property. A listing of **onsemi** product/patent coverage may be accessed at www.onsemi.com/site/pdf/Patent-Marking.pdf. **onsemi** reserves the right to make changes at any time to any products or information herein, without notice. The information herein is provided "as-is" and **onsemi** makes no warranty, representation or guarantee regarding the accuracy of the information, product features, availability, functionality, or suitability of its products for any particular purpose, nor does **onsemi** assume any liability arising out of the application or use of any product or circuit, and specifically disclaims any and all liability, including without limitation special, consequential or incidental damages. Buyer is responsible for its products and applications using **onsemi** products, including compliance with all laws, regulations and safety requirements or standards, regardless of any support or applications information provided by **onsemi**. "Typical" parameters which may be provided in **onsemi** data sheets and/or specifications can and do vary in different applications and actual performance may vary over time. All operating parameters, including "Typicals" must be validated for each customer application by customer's technical experts. **onsemi** does not convey any license under any of its intellectual property rights nor the rights of others. **onsemi** products are not designed, intended, or authorized for use as a critical component in life support systems or any FDA Class 3 medical devices or medical devices with a same or similar classification in a foreign jurisdiction or any devices intended for implantation in the human body. Should Buyer purchase or use **onsemi** products for any such unintended or unauthorized application, Buyer shall indemnify and hold **onsemi** and its officers, employees, subsidiaries, affiliates, and distributors harmless against all claims, costs, damages, and expenses, and reasonable attorney fees arising out of, directly or indirectly, any claim of personal injury or death associated with such unintended or unauthorized use, even if such claim alleges that **onsemi** was negligent regarding the design or manufacture of the part. **onsemi** is an Equal Opportunity/Affirmative Action Employer. This literature is subject to all applicable copyright laws and is not for resale in any manner. Other names and brands may be claimed as the property of others.

18-Bit Switchable Active SCSI-2 Bus Terminator (110Ω) With Voltage Regulator and Inverted Disconnect

The MCCS142238™ is a precision 18-bit switchable active SCSI-2 bus terminator with an on-board 2.85V regulator. When the Disconnect pin is HIGH according to the truth table below, the MCCS142238 provides 110Ω ±5% precision resistor pull-ups to a 2.85V reference for termination of 18-bits in a SCSI-2 standard bus system interface.

When the Disconnect pin is LOW, the device outputs are in the high impedance state on all 18 bits. The regulator is also turned off, greatly reducing standby power. Even with no Termpwr applied, the outputs remain in the high impedance state.

- Complies With SCSI and SCSI-2 Standards
- Pin Compatible With UC5609
- For Opposite Disconnect Polarity See Motorola's MCCS142236
- 18 Switchable 110Ω Terminating Resistors
- 4pF Channel Capacitance During Disconnect
- Fully Supports Active Negation (Sinks Minimum of 220mA)
- Built-In 2.85V Regulator With Low Dropout Voltage
- Very Low Supply Current When Resistors Are Disabled (150µA Max)
- -650mA Source Current
- Thermal Shutdown Protection
- Thin Profile Surface Mount Package: 28-Lead SOIC

The regulator has a guaranteed dropout voltage of less than 900mV, allowing regulation of supply voltages less than 4.0V. The MCCS142238 is protected by thermal shutdown. Other features include low disconnect current (150µA), over 220mA of active negation current sink capability, and 4pF disconnect capacitance.

In 8-bit SCSI applications ("A" cable), only one MCCS142238 is needed at each end of the SCSI cable in order to terminate the 18 active signal lines.

For information on "Power Dissipation for Active SCSI Terminators," refer to Motorola Application Note AN1408/D, available through the Motorola Design-NET Fax System as "HOT-DOC" Number 1083, or through the Motorola Literature Distribution Center.

MCCS142238

**18-BIT SWITCHABLE
ACTIVE SCSI-2
BUS TERMINATOR**



TRUTH TABLE

Disconnect	Output
0	Z
1	Terminated

MCCS and Mfax are trademarks of Motorola, Inc.



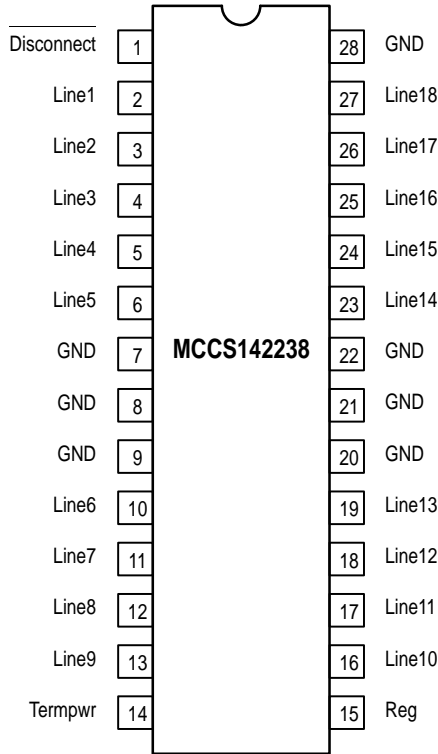


Figure 1. 28-Lead Pinout (Top View)

Disconnect Input Application	Result
A. No Connection to Disconnect	Disconnect input will be pulled “HIGH” internally, providing 110Ω impedance to each of the bus lines.
B. Single Pole Switch to GND	Disconnect input will be pulled “HIGH” internally when the switch is open, providing 110Ω impedance to each of the bus lines. Disconnect input will be held “LOW” when the switch is closed, causing all outputs to be high impedance.
C. Double Pole Switch Between Supply and GND	This is a more expensive way to accomplish application B above. It is more economical to allow the internal pullup to provide the “HIGH” input level. The supply source in this case could be Tempwr or V _{CC} .
D. Hardwired “High”	The MCCS142238 will be permanently connected providing 110Ω impedance to each of the bus lines.
E. Hardwired “Low”	The MCCS142238 will be permanently disconnected causing all outputs to be high impedance.

MAXIMUM RATINGS*

Symbol	Parameter	Value	Unit
Tempwr	DC Supply Voltage	7.0	V
V _{Line}	Signal Line Voltage	-1.0 to +7.0	V
I _{REG}	Regulator Current	1	A
t _{stg}	Storage Temperature Range	-65 to +150	°C

* Maximum Ratings are those values beyond which damage to the device may occur. Functional operation should be restricted to the Recommended Operating Conditions.

RECOMMENDED OPERATING CONDITIONS

Symbol	Parameter	Min	Max	Unit
Temp _{pwr}	DC Supply Voltage	3.8	5.25	V
V _{in}	DC Input Voltage (Disconnect Pin)	0	Temp _{pwr}	V
V _{Line}	Signal Line Voltage	0	3.0	V
T _A	Operating Temperature Range	0	+70	°C
t _r , t _f	Input Rise/Fall Time	0	500	ns

ELECTRICAL CHARACTERISTICS (Unless otherwise stated, these specifications apply for T_A = 0° to 70°C, Temp_{pwr} = 4.75V, Disconnect = Open)

Symbol	Characteristic	Min	Typ	Max	Unit	Condition
--------	----------------	-----	-----	-----	------	-----------

Supply Current Section

I _{Temp_{pwr}}	Temp _{pwr} Supply Current		15 410	27 465	mA	All Termination Lines = Open All Termination Lines = 0.5V
I _{pd}	Power Down Mode Current		100	150	μA	Disconnect = 0V

Output Section (Termination Lines)

R ₁₁₀	Termination Impedance	104.5	110.0	115.5	Ω	
V _{OH}	Output HIGH Voltage	2.8	2.85	3.0	V	Note 1.
I _{source}	Source Current Capability per Line	-19.9		-24	mA	Signal Line = 0.5V
I _{OZ}	Output Leakage Current Signal Lines = 0 to 5.25V			1	μA	Temp _{pwr} = 5.25V, Reg = Open, Disconnect = 0V
C _O	Output Capacitance (Note 2.)		4.0	5.0	pF	Disconnect = 0V

Regulator Section

V _{Reg}	Regulator Voltage	2.8	2.85	3.0	V	Signal Lines = 0V or 4V
Line _{reg}	Line Regulation		27	40	mV	Signal Lines Open, Temp _{pwr} = 4V to 6V
Load _{reg}	Load Regulation		35	60	mV	Signal Lines = 0V to 3V
V _{DO}	Drop Out Voltage		0.7	0.9	V	Signal Lines = 0.5V
I _{Lim}	Current Limit	-450	-650	-850	mA	Reg = 0V
I _{sink}	Current Sink Capability	220	350	400	mA	Reg = 3.5V
T _{shut}	Thermal Shutdown		150		°C	

Disconnect Section

D _{TH}	Disconnect Threshold (Note 2.)	1.1	1.3	1.7	V	
I _{IL}	Input Leakage Current		90	120	μA	Disconnect = 0V

1. Measured with one output high and all other signal lines open.
2. Not production tested, guaranteed by design.

AC CHARACTERISTICS (Note 3., Reg = 2.85, C_L = 2.2μF, t_r = t_f = 6ns)

Symbol	Parameters	0°C to + 70°C	Unit
t _(connect)	Max Connect Time, High Impedance to Termination, Disconnect to Outputs	100	μs
t _(disconnect)	Max Disconnect Time, Termination to High Impedance, Disconnect to Outputs	20	μs

3. Not production tested, guaranteed by design.

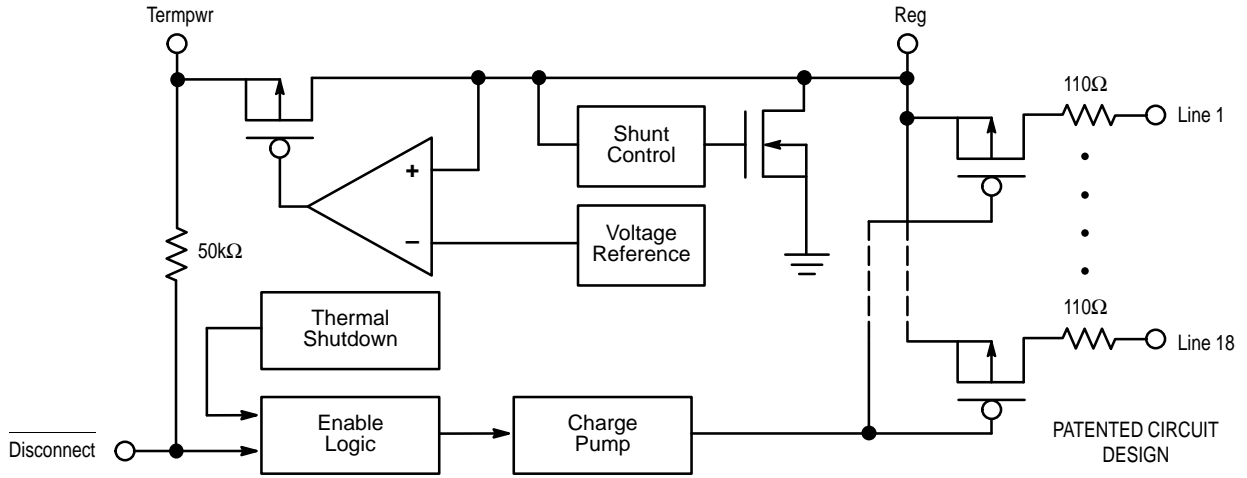


Figure 2. MCCS142238 Block Diagram

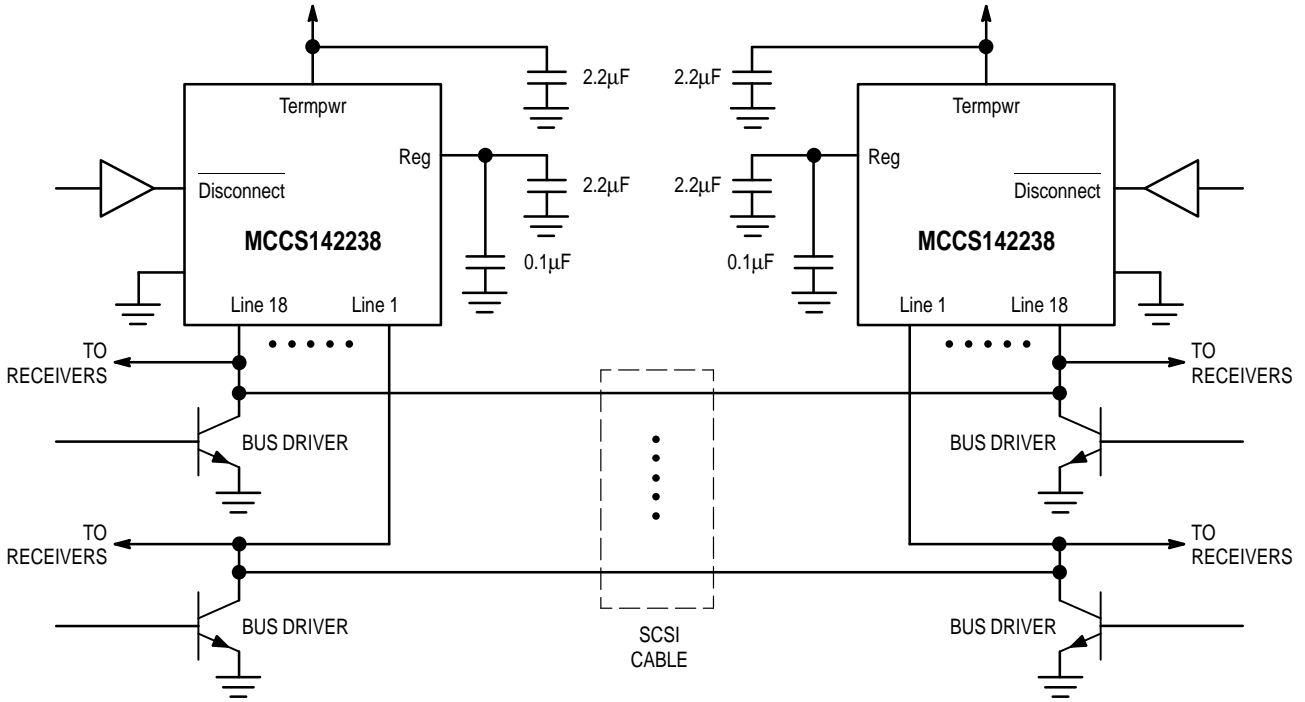


Figure 3. Typical SCSI Bus Configuration Using the MCCS142238

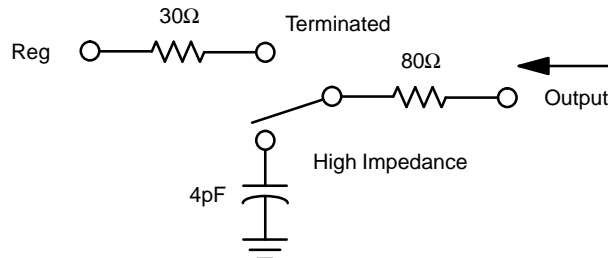
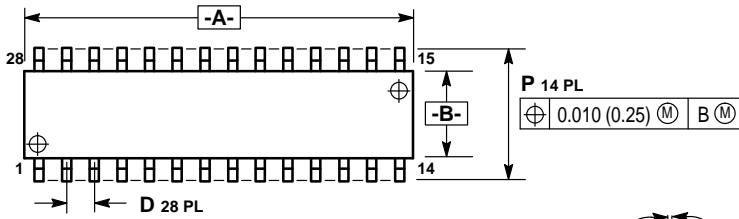


Figure 4. Output Impedance Model

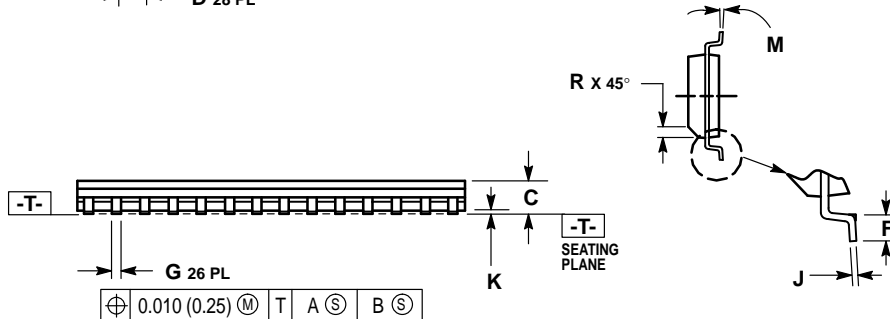
OUTLINE DIMENSIONS

DW SUFFIX
PLASTIC SOIC PACKAGE
CASE 751F-04
ISSUE E




NOTES:

1. DIMENSIONING AND TOLERANCING PER ANSI Y14.5M, 1982.
2. CONTROLLING DIMENSION: MILLIMETER.
3. DIMENSION A AND B DO NOT INCLUDE MOLD PROTRUSION.
4. MAXIMUM MOLD PROTRUSION 0.15 (0.006) PER SIDE.
5. DIMENSION D DOES NOT INCLUDE DAMBAR PROTRUSION. ALLOWABLE DAMBAR PROTRUSION SHALL BE 0.13 (0.005) TOTAL IN EXCESS OF D DIMENSION AT MAXIMUM MATERIAL CONDITION.



DIM	MILLIMETERS		INCHES	
	MIN	MAX	MIN	MAX
A	17.80	18.05	0.701	0.711
B	7.40	7.60	0.292	0.299
C	2.35	2.65	0.093	0.104
D	0.35	0.49	0.014	0.019
F	0.41	0.90	0.016	0.035
G	1.27 BSC		0.050 BSC	
J	0.23	0.32	0.009	0.013
K	0.13	0.29	0.005	0.011
M	0°	8°	0°	8°
P	10.05	10.55	0.395	0.415
R	0.25	0.75	0.010	0.029

Motorola reserves the right to make changes without further notice to any products herein. Motorola makes no warranty, representation or guarantee regarding the suitability of its products for any particular purpose, nor does Motorola assume any liability arising out of the application or use of any product or circuit, and specifically disclaims any and all liability, including without limitation consequential or incidental damages. "Typical" parameters which may be provided in Motorola data sheets and/or specifications can and do vary in different applications and actual performance may vary over time. All operating parameters, including "Typicals" must be validated for each customer application by customer's technical experts. Motorola does not convey any license under its patent rights nor the rights of others. Motorola products are not designed, intended, or authorized for use as components in systems intended for surgical implant into the body, or other applications intended to support or sustain life, or for any other application in which the failure of the Motorola product could create a situation where personal injury or death may occur. Should Buyer purchase or use Motorola products for any such unintended or unauthorized application, Buyer shall indemnify and hold Motorola and its officers, employees, subsidiaries, affiliates, and distributors harmless against all claims, costs, damages, and expenses, and reasonable attorney fees arising out of, directly or indirectly, any claim of personal injury or death associated with such unintended or unauthorized use, even if such claim alleges that Motorola was negligent regarding the design or manufacture of the part. Motorola and  are registered trademarks of Motorola, Inc. Motorola, Inc. is an Equal Opportunity/Affirmative Action Employer.

How to reach us:

USA/EUROPE/Locations Not Listed: Motorola Literature Distribution; P.O. Box 5405; Denver, Colorado 80217. 303-675-2140 or 1-800-441-2447

Mfax™: RMFAX0@email.sps.mot.com – TOUCHTONE 602-244-6609
INTERNET: http://Design-NET.com

JAPAN: Nippon Motorola Ltd.; Tatsumi-SPD-JLDC, 6F Seibu-Butsuryu-Center, 3-14-2 Tatsumi Koto-Ku, Tokyo 135, Japan. 81-3-3521-8315

ASIA/PACIFIC: Motorola Semiconductors H.K. Ltd.; 8B Tai Ping Industrial Park, 51 Ting Kok Road, Tai Po, N.T., Hong Kong. 852-26629298

