

# ON Semiconductor

## Is Now

# onsemi™

To learn more about onsemi™, please visit our website at  
[www.onsemi.com](http://www.onsemi.com)

---

**onsemi** and **onsemi** and other names, marks, and brands are registered and/or common law trademarks of Semiconductor Components Industries, LLC dba "**onsemi**" or its affiliates and/or subsidiaries in the United States and/or other countries. **onsemi** owns the rights to a number of patents, trademarks, copyrights, trade secrets, and other intellectual property. A listing of **onsemi** product/patent coverage may be accessed at [www.onsemi.com/site/pdf/Patent-Marking.pdf](http://www.onsemi.com/site/pdf/Patent-Marking.pdf). **onsemi** reserves the right to make changes at any time to any products or information herein, without notice. The information herein is provided "as-is" and **onsemi** makes no warranty, representation or guarantee regarding the accuracy of the information, product features, availability, functionality, or suitability of its products for any particular purpose, nor does **onsemi** assume any liability arising out of the application or use of any product or circuit, and specifically disclaims any and all liability, including without limitation special, consequential or incidental damages. Buyer is responsible for its products and applications using **onsemi** products, including compliance with all laws, regulations and safety requirements or standards, regardless of any support or applications information provided by **onsemi**. "Typical" parameters which may be provided in **onsemi** data sheets and/or specifications can and do vary in different applications and actual performance may vary over time. All operating parameters, including "Typicals" must be validated for each customer application by customer's technical experts. **onsemi** does not convey any license under any of its intellectual property rights nor the rights of others. **onsemi** products are not designed, intended, or authorized for use as a critical component in life support systems or any FDA Class 3 medical devices or medical devices with a same or similar classification in a foreign jurisdiction or any devices intended for implantation in the human body. Should Buyer purchase or use **onsemi** products for any such unintended or unauthorized application, Buyer shall indemnify and hold **onsemi** and its officers, employees, subsidiaries, affiliates, and distributors harmless against all claims, costs, damages, and expenses, and reasonable attorney fees arising out of, directly or indirectly, any claim of personal injury or death associated with such unintended or unauthorized use, even if such claim alleges that **onsemi** was negligent regarding the design or manufacture of the part. **onsemi** is an Equal Opportunity/Affirmative Action Employer. This literature is subject to all applicable copyright laws and is not for resale in any manner. Other names and brands may be claimed as the property of others.

## ADT7463 Configurations

by Mary Burke

### INTRODUCTION

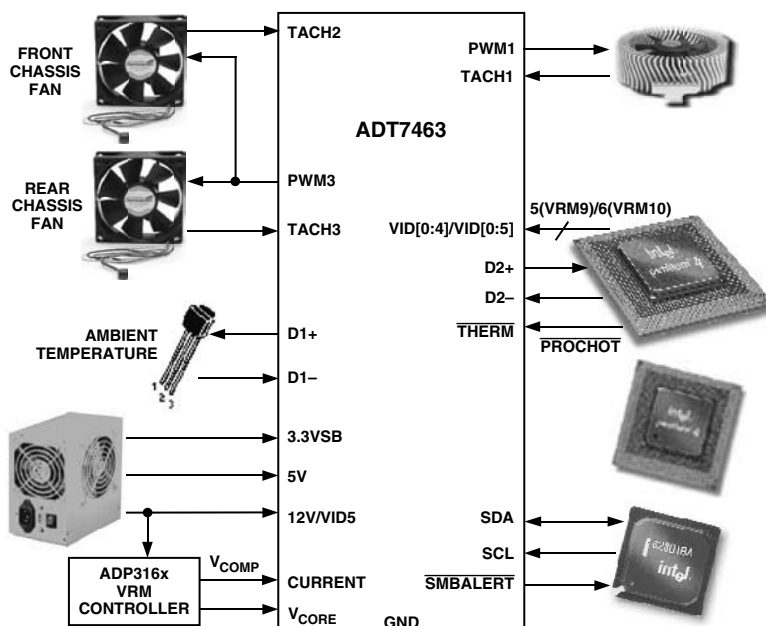
This document is intended as a supplement to the ADT7463 data sheet. Since many of the pins on the ADT7463 are multifunctional, there are many possible configurations of the ADT7463. The purpose of this document is to describe all the possible options and their configuration register settings.

### RECOMMENDED IMPLEMENTATION

Configuring the ADT7463 as in Figure 2 provides the systems designer with the following features:

1. Six VID Inputs (VID0 to VID5) for VRM10 Support.
2. Two PWM Outputs for Fan Control of up to Three Fans (the front and rear chassis fans are connected in parallel).
3. Three TACH Fan Speed Measurement Inputs.

4.  $V_{CC}$  Measured Internally through Pin 4.
5. CPU Core Voltage Measurement ( $V_{CORE}$ ).
6. 2.5 V Measurement Input Used to Monitor CPU Current (connected to  $V_{COMP}$  output of ADP316x VRM controller). This is used to determine CPU power consumption.
7. 5 V Measurement Input.
8. VRM temperature uses local temperature sensor.
9. CPU Temperature Measured Using Remote 1 Temperature Channel.
10. Ambient Temperature Measured through Remote 2 Temperature Channel.
11. If not using VID5, this pin can be reconfigured as the +12 V monitoring input.
12. Bidirectional  $\overline{THERM}$  Pin. Allows Intel® Pentium 4® PROCHOT monitoring and can function as an over-temperature  $\overline{THERM}$  output.
13.  $\overline{SMBALERT}$  System Interrupt Output.



# AN-612

## CONFIGURATION OPTION 1

Configuring the ADT7463 as in Figure 2 provides the systems designer with the following features:

1. Six VID Inputs (VID0 to VID5) for VRM10 Support. Enabling VID5 also enables the VID code change detect feature.
2. Three PWM Outputs for Fan Control of up to Four Fans (PWM1 to PWM3).
3. Four TACH Fan Speed Measurement Inputs.
4.  $V_{CC}$  Measured Internally through Pin 4.
5. CPU Core Voltage Measurement ( $V_{CCP}$ ).
6.  $\overline{\text{SMBALERT}}$  Interrupt Output.
7. Bidirectional  $\overline{\text{THERM}}$  Pin. Allows P4  $\overline{\text{PROCHOT}}$  monitoring and can function as an overtemperature  $\overline{\text{THERM}}$  output.
8. Two Remote Diode Temperature Measurements.

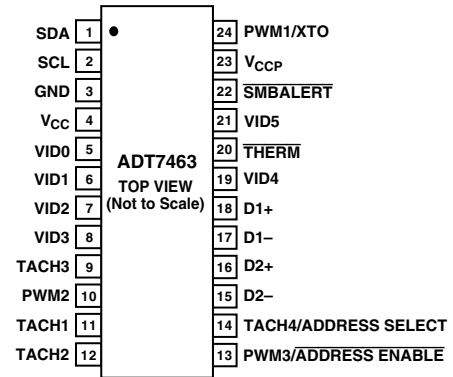


Figure 2. Recommended Pinout Option

## CONFIGURING THE ADT7463 FOR CONFIGURATION 1

The following bits need to be configured for the recommended pinout:

Register	Bit Setting	Function Selected
VID Register (0x43)	<7> VIDSEL = 1	Configures Pin 21 as the VID5 input
Configuration Register 4 (0x7D)	<0> AL2.5V = 1	Configures Pin 22 as the $\overline{\text{SMBALERT}}$ output
Configuration Register 3 (0x78)	<1> Therm Timer = 1	Enables the $\overline{\text{THERM}}$ monitoring function
Configuration Register 4 (0x7D)	<1> TH5V = 1	Configures Pin 20 as the bidirectional $\overline{\text{THERM}}$ pin

**CONFIGURATION OPTION 2**

Configuring the ADT7463 as in Figure 3 provides the systems designer with the following features:

1. Five VID Inputs (VID0 to VID4) for VRM9.x Support.
2. Two PWM Outputs for Fan Control (PWM1 and PWM3).
3. Three TACH Fan Speed Measurement Inputs.
4. V<sub>CC</sub> Measured Internally through Pin 4.
5. CPU Core Voltage Measurement (V<sub>CCP</sub>).
6. 2.5 V Measurement Input.
7. 12 V Measurement Input.
8. 5 V Measurement Input.
9. Two Remote Diode Temperature Measurements.
10. SMBALERT Interrupt Output.
11. Bidirectional THERM Pin. Allows Intel P4 PROCHOT monitoring and can function as an overtemperature THERM output.

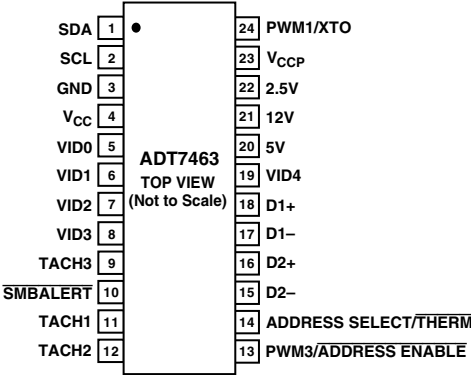


Figure 3. Pinout Option 2

**CONFIGURING THE ADT7463 FOR PINOUT OPTION 2**

The following bits need to be configured for Pinout Option 2:

Register	Bit Setting	Function Selected
VID Register (0x43)	<7> VIDSEL = 0	Configures Pin 21 as the 12V input
Configuration Register 3 (0x78)	<0> ALERT = 1	Configures Pin 10 as SMBALERT output
Configuration Register 3 (0x78)	<1> ThermTimer = 1	Enables THERM monitoring on Pin 14
Configuration Register 4 (0x7D)	<0> AL2.5V = 0	Configures Pin 22 as 2.5 V input
Configuration Register 4 (0x7D)	<1> TH5V = 0	Configures Pin 20 as 5 V input

# AN-612

## CONFIGURATION OPTION 3

Configuring the ADT7463 as in Figure 4 provides the systems designer with the following features:

1. Five VID Inputs (VID0 to VID4) for VRM9.x Support.
2. Three PWM Outputs for Fan Control of up to Four Fans (PWM1 to PWM3).
3. Four TACH Fan Speed Measurement Inputs.
4.  $V_{CC}$  Measured Internally through Pin 4.
5. CPU Core Voltage Measurement ( $V_{CCP}$ ).
6. 2.5 V Measurement Input.
7. 12 V Measurement Input.
8. 5 V Measurement Input.
9. Two Remote Diode Temperature Measurements.

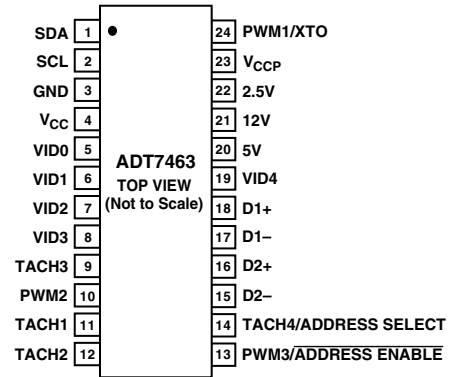


Figure 4. Pinout Option 3

## CONFIGURING THE ADT7463 FOR PINOUT OPTION 3

The following bits need to be configured for Pinout Option 3:

Register	Bit Setting	Function Selected
VID Register (0x43)	<7> VIDSEL = 0	Configures Pin 21 as the 12 V input
Configuration Register 4 (0x7D)	<0> AL2.5V = 0	Configures Pin 22 as 2.5 V input
Configuration Register 4 (0x7D)	<1> TH5V = 0	Configures Pin 20 as 5 V input

**CONFIGURATION OPTION 4**

Configuring the ADT7463 as in Figure 5 provides the systems designer with the following features:

1. Six VID Inputs (VID0 to VID5) for VRM10 Support. Enabling VID5 also enables the VID code change detect feature.
2. Three PWM Outputs for Fan Control of up to Four Fans (PWM1 to PWM3).
3. Four TACH Fan Speed Measurement Inputs.
4. V<sub>CC</sub> Measured Internally through Pin 4.
5. CPU Core Voltage Measurement (V<sub>CCP</sub>).
6. 2.5 V Measurement Input.
7. 5 V Measurement Input.
8. Two Remote Diode Temperature Measurements.

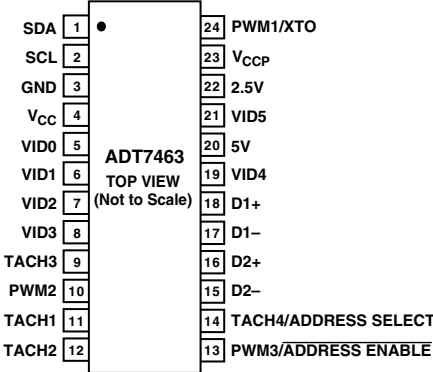


Figure 5. Pinout Option 4

**CONFIGURING THE ADT7463 FOR PINOUT OPTION 4**

The following bits need to be configured for Pinout Option 4:

Register	Bit Setting	Function Selected
VID Register (0x43)	<7> VIDSEL = 1	Configures Pin 21 as the VID5 input
Configuration Register 4 (0x7D)	<0> AL2.5V = 0	Configures Pin 22 as 2.5 V input
Configuration Register 4 (0x7D)	<1> TH5V = 0	Configures Pin 20 as 5 V input

# AN-612

## CONFIGURATION OPTION 5

Configuring the ADT7463 as in Figure 6 provides the systems designer with the following features:

1. Five VID Inputs (VID0 to VID4) for VRM9.x Support.
2. Three PWM Outputs for Fan Control of up to Four Fans (PWM1 to PWM3).
3. Four TACH Fan Speed Measurement Inputs.
4.  $V_{CC}$  Measured Internally through Pin 4.
5. CPU Core Voltage Measurement ( $V_{CCP}$ ).
6. Two Remote Diode Temperature Measurements
7. 12 V Measurement Input.
8.  $\overline{\text{SMBALERT}}$  Interrupt Output.
9. Bidirectional  $\overline{\text{THERM}}$  Pin. Allows Intel P4  $\overline{\text{PROCHOT}}$  monitoring and can function as an overtemperature  $\overline{\text{THERM}}$  output.

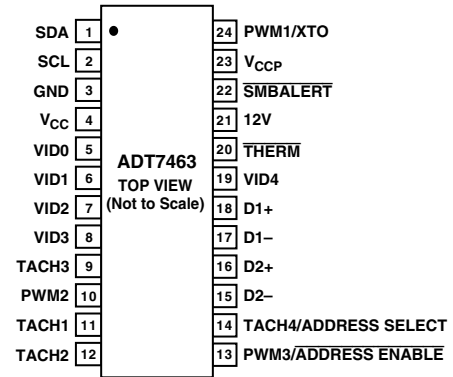


Figure 6. Pinout Option 5

## CONFIGURING THE ADT7463 FOR PINOUT OPTION 5

The following bits need to be configured for Pinout Option 5:

Register	Bit Setting	Function Selected
VID Register (0x43)	<7> VIDSEL = 0	Configures Pin 21 as the 12 V input
Configuration Register 3 (0x78)	<0> ALERT = 0	Configures Pin 10 as PWM2 output
Configuration Register 4 (0x7D)	<0> AL2.5V = 1	Configures Pin 22 as $\overline{\text{SMBALERT}}$ output
Configuration Register 3 (0x78)	<1> ThermTimer = 1	Enables $\overline{\text{THERM}}$ monitoring
Configuration Register 4 (0x7D)	<1> TH5V = 1	Configures Pin 20 as $\overline{\text{THERM}}$ output

**CONFIGURATION OPTION 6**

Configuring the ADT7463 as in Figure 7 provides the systems designer with the following features:

1. Five VID Inputs (VID0 to VID4) for VRM9.x Support.
2. Three PWM Outputs for Fan Control of up to Four Fans (PWM1 to PWM3).
3. Four TACH Fan Speed Measurement Inputs.
4.  $V_{CC}$  Measured Internally through Pin 4.
5. CPU Core Voltage Measurement ( $V_{CCP}$ ).
6. 2.5 V Measurement Input.
7. 12 V Measurement Input.
8. Bidirectional  $\overline{THERM}$  Pin. Allows P4 PROCHOT monitoring and can function as an overtemperature  $\overline{THERM}$  output.
9. Two Remote Diode Temperature Measurements.

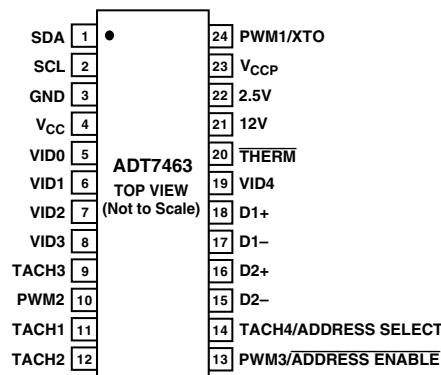


Figure 7. Pinout Option 6

**CONFIGURING THE ADT7463 FOR PINOUT OPTION 6**

The following bits need to be configured for Pinout Option 6:

Register	Bit Setting	Function Selected
VID Register (0x43)	<7> VIDSEL = 0	Configures Pin 21 as the 12 V input
Configuration Register 4 (0x7D)	<0> AL2.5V = 0	Configures Pin 22 as the 2.5 V input
Configuration Register 3 (0x78)	<1> Therm Timer = 1	Enables $\overline{THERM}$ monitoring
Configuration Register 4 (0x7D)	<1> TH5V = 1	Configures Pin 20 as the bidirectional $\overline{THERM}$ pin

ON Semiconductor and the ON logo are registered trademarks of Semiconductor Components Industries, LLC (SCILLC). SCILLC reserves the right to make changes without further notice to any products herein. SCILLC makes no warranty, representation or guarantee regarding the suitability of its products for any particular purpose, nor does SCILLC assume any liability arising out of the application or use of any product or circuit, and specifically disclaims any and all liability, including without limitation special, consequential or incidental damages. "Typical" parameters which may be provided in SCILLC data sheets and/or specifications can and do vary in different applications and actual performance may vary over time. All operating parameters, including "Typicals" must be validated for each customer application by customer's technical experts. SCILLC does not convey any license under its patent rights nor the rights of others. SCILLC products are not designed, intended, or authorized for use as components in systems intended for surgical implant into the body, or other applications intended to support or sustain life, or for any other application in which the failure of the SCILLC product could create a situation where personal injury or death may occur. Should Buyer purchase or use SCILLC products for any such unintended or unauthorized application, Buyer shall indemnify and hold SCILLC and its officers, employees, subsidiaries, affiliates, and distributors harmless against all claims, costs, damages, and expenses, and reasonable attorney fees arising out of, directly or indirectly, any claim of personal injury or death associated with such unintended or unauthorized use, even if such claim alleges that SCILLC was negligent regarding the design or manufacture of the part. SCILLC is an Equal Opportunity/Affirmative Action Employer. This literature is subject to all applicable copyright laws and is not for resale in any manner.

**PUBLICATION ORDERING INFORMATION****LITERATURE FULFILLMENT:**

Literature Distribution Center for ON Semiconductor  
P.O. Box 5163, Denver, Colorado 80217 USA  
**Phone:** 303-675-2175 or 800-344-3860 Toll Free USA/Canada  
**Fax:** 303-675-2176 or 800-344-3867 Toll Free USA/Canada  
**Email:** orderlit@onsemi.com

**N. American Technical Support:** 800-282-9855 Toll Free  
USA/Canada.

**Europe, Middle East and Africa Technical Support:**  
Phone: 421 33 790 2910

**Japan Customer Focus Center**  
Phone: 81-3-5773-3850

**ON Semiconductor Website:** [www.onsemi.com](http://www.onsemi.com)

**Order Literature:** <http://www.onsemi.com/orderlit>

For additional information, please contact your local  
Sales Representative