

ON Semiconductor

Is Now

onsemi™

To learn more about onsemi™, please visit our website at
www.onsemi.com

onsemi and **onsemi** and other names, marks, and brands are registered and/or common law trademarks of Semiconductor Components Industries, LLC dba "**onsemi**" or its affiliates and/or subsidiaries in the United States and/or other countries. **onsemi** owns the rights to a number of patents, trademarks, copyrights, trade secrets, and other intellectual property. A listing of **onsemi** product/patent coverage may be accessed at www.onsemi.com/site/pdf/Patent-Marking.pdf. **onsemi** reserves the right to make changes at any time to any products or information herein, without notice. The information herein is provided "as-is" and **onsemi** makes no warranty, representation or guarantee regarding the accuracy of the information, product features, availability, functionality, or suitability of its products for any particular purpose, nor does **onsemi** assume any liability arising out of the application or use of any product or circuit, and specifically disclaims any and all liability, including without limitation special, consequential or incidental damages. Buyer is responsible for its products and applications using **onsemi** products, including compliance with all laws, regulations and safety requirements or standards, regardless of any support or applications information provided by **onsemi**. "Typical" parameters which may be provided in **onsemi** data sheets and/or specifications can and do vary in different applications and actual performance may vary over time. All operating parameters, including "Typicals" must be validated for each customer application by customer's technical experts. **onsemi** does not convey any license under any of its intellectual property rights nor the rights of others. **onsemi** products are not designed, intended, or authorized for use as a critical component in life support systems or any FDA Class 3 medical devices or medical devices with a same or similar classification in a foreign jurisdiction or any devices intended for implantation in the human body. Should Buyer purchase or use **onsemi** products for any such unintended or unauthorized application, Buyer shall indemnify and hold **onsemi** and its officers, employees, subsidiaries, affiliates, and distributors harmless against all claims, costs, damages, and expenses, and reasonable attorney fees arising out of, directly or indirectly, any claim of personal injury or death associated with such unintended or unauthorized use, even if such claim alleges that **onsemi** was negligent regarding the design or manufacture of the part. **onsemi** is an Equal Opportunity/Affirmative Action Employer. This literature is subject to all applicable copyright laws and is not for resale in any manner. Other names and brands may be claimed as the property of others.



Is Now Part of



ON Semiconductor®

To learn more about ON Semiconductor, please visit our website at
www.onsemi.com

ON Semiconductor and the ON Semiconductor logo are trademarks of Semiconductor Components Industries, LLC dba ON Semiconductor or its subsidiaries in the United States and/or other countries. ON Semiconductor owns the rights to a number of patents, trademarks, copyrights, trade secrets, and other intellectual property. A listing of ON Semiconductor's product/patent coverage may be accessed at www.onsemi.com/site/pdf/Patent-Marking.pdf. ON Semiconductor reserves the right to make changes without further notice to any products herein. ON Semiconductor makes no warranty, representation or guarantee regarding the suitability of its products for any particular purpose, nor does ON Semiconductor assume any liability arising out of the application or use of any product or circuit, and specifically disclaims any and all liability, including without limitation special, consequential or incidental damages. Buyer is responsible for its products and applications using ON Semiconductor products, including compliance with all laws, regulations and safety requirements or standards, regardless of any support or applications information provided by ON Semiconductor. "Typical" parameters which may be provided in ON Semiconductor data sheets and/or specifications can and do vary in different applications and actual performance may vary over time. All operating parameters, including "Typicals" must be validated for each customer application by customer's technical experts. ON Semiconductor does not convey any license under its patent rights nor the rights of others. ON Semiconductor products are not designed, intended, or authorized for use as a critical component in life support systems or any FDA Class 3 medical devices or medical devices with a same or similar classification in a foreign jurisdiction or any devices intended for implantation in the human body. Should Buyer purchase or use ON Semiconductor products for any such unintended or unauthorized application, Buyer shall indemnify and hold ON Semiconductor and its officers, employees, subsidiaries, affiliates, and distributors harmless against all claims, costs, damages, and expenses, and reasonable attorney fees arising out of, directly or indirectly, any claim of personal injury or death associated with such unintended or unauthorized use, even if such claim alleges that ON Semiconductor was negligent regarding the design or manufacture of the part. ON Semiconductor is an Equal Opportunity/Affirmative Action Employer. This literature is subject to all applicable copyright laws and is not for resale in any manner.

Application Note AN4148

Audible Noise Reduction Techniques for FPS Applications

1. Introduction

In general, switched mode power supplies do not generate audible noise when they operate at constant ultrasonic frequencies (>20kHz). However, some switched mode power supplies can produce audible noise at certain load conditions. Most Fairchild Power Switches are designed to enter into burst switching operation at light load conditions to reduce standby consumption, which can cause audible noise when the fundamental frequency of the burst switching bundles is in the range of human hearing as shown in Figure 1.

This application note explains the major sources of audible noise and offers useful tips to engineers to solve the audible noise problem in their Fairchild Power Switch (FPS) applications.

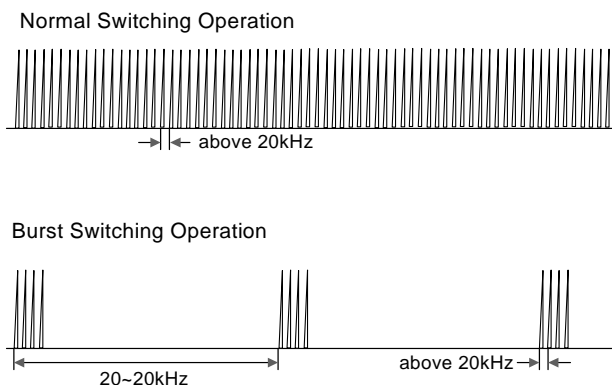


Figure 1. Burst Switching Operation

2. Sources of Audible Noise

Even though the switching frequency of the FPS is above the range of human hearing, audible noise can be generated during transient or burst operation. In most flyback converters, the major noise sources are transformers and capacitors.

-Transformer Audible Noise

Transformers can produce audible noise, since they contain many physically movable elements, such as coils, isolation tapes and bobbins. The current in the coils produces electromagnetic fields which generate repulsive and/or attractive forces between the coils. This can produce a mechanical vibration in the coils, ferrite cores or isolation tapes.

- Capacitor Audible Noise

Ceramic capacitors can also produce audible noise, since they have piezoelectric characteristics. If there is still too much audible noise in burst operation after gluing or varnishing the transformer properly, the capacitor in the snubber network should be examined.

3. Techniques to Reduce the Audible Noise

- Varnish the Transformer

The most effective way to reduce the audible noise in the transformer is to remove the possibility of physical movement of the transformer elements by using adhesive material or by varnishing. This damps mechanical resonance of the transformer elements as well.

- Change the Transformer Design

The amplitude of mechanical vibration of the transformer is closely related to the flux swing. Therefore, the audible noise can be reduced by lowering the flux swing in the burst switching, which is given by

$$\Delta B = \frac{L_m I_{bp}}{N_p A_e} \times 10^6 \quad (T) \quad (1)$$

where L_m is the transformer primary side inductance, I_{bp} is the current peak in burst switching, A_e is the cross-sectional area of the core in mm^2 and N_p is the number of turns of transformer primary side.

As can be observed in equation (1), the flux swing can be reduced by increasing N_p and/or A_e while keeping L_m constant, which results in reduced audible noise.

- Reduce the Current Peak in Burst Switching

Equation (1) also shows that the flux swing can be decreased by reducing the current peak (I_{bp}) in burst switching. By using slope compensation, the current peak in burst switching can be reduced. Unfortunately, this technique can be applied only to the FPSs below, whose burst switching levels are determined by the feedback voltage level.

- FSDM0465R, FSDM0565R, FSDM07652R, FSDM1265R
- FSCM0565R, FSCM0765R, FSD200, FSD210

The slope compensation circuit can be easily implemented with one capacitor and one resistor as shown in Figure 2. This slope compensation circuit introduces voltage dip in the feedback voltage reducing the current peak in burst switching as shown in Figures 3 and 4 with FSDM0565R as an example. In the case of FSDM0565R, switching stops when the feedback voltage drop below 0.5V and switching resumes when the feedback voltage reaches 0.7V. Thus, the burst switching current is determined by the feedback voltage and can be reduced by introducing dip on the feedback voltage.

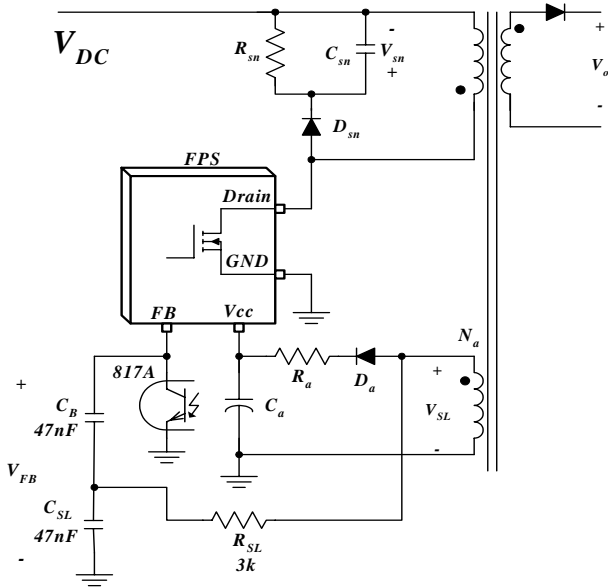


Figure 2. Slope Compensation Circuit

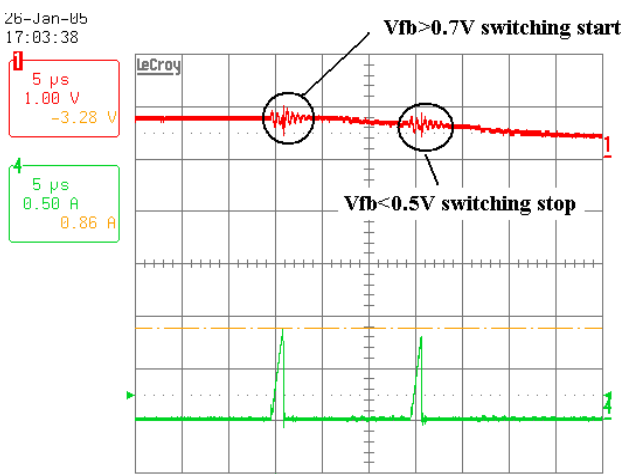


Figure 3. Burst Switching Waveforms without Slope Compensation (FSDM0565R)

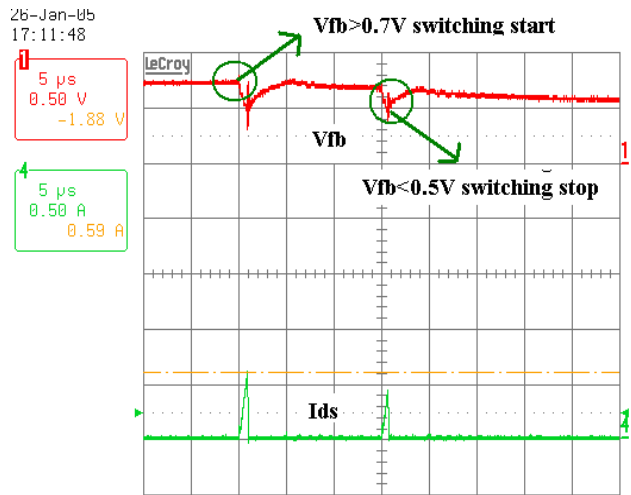


Figure 4. Burst Switching Waveforms with Slope Compensation (FSDM0565R)

- Change the RCD snubber network

As mentioned in the previous session, ceramic capacitors can also produce audible noise, because of their piezoelectric characteristics. By replacing the ceramic capacitor with a film capacitor as shown in Figure 5, the audible noise can be reduced.

Film capacitor

Ceramic capacitor

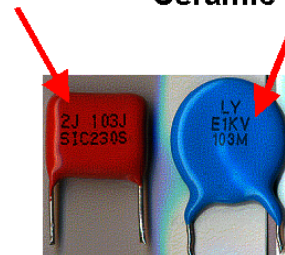


Figure 5. Film Capacitor and Ceramic Capacitor

Another way to lower audible noise is to reduce the snubber capacitor value, which decreases the pulse current that charges the capacitor every time the FPS resumes switching operation in burst mode as shown in Figure 6. A zener clamp circuit using a TVS (Transient Voltage Suppressor) as shown in Figure 7 can reduce the audible noise caused by the snubber capacitor as well.

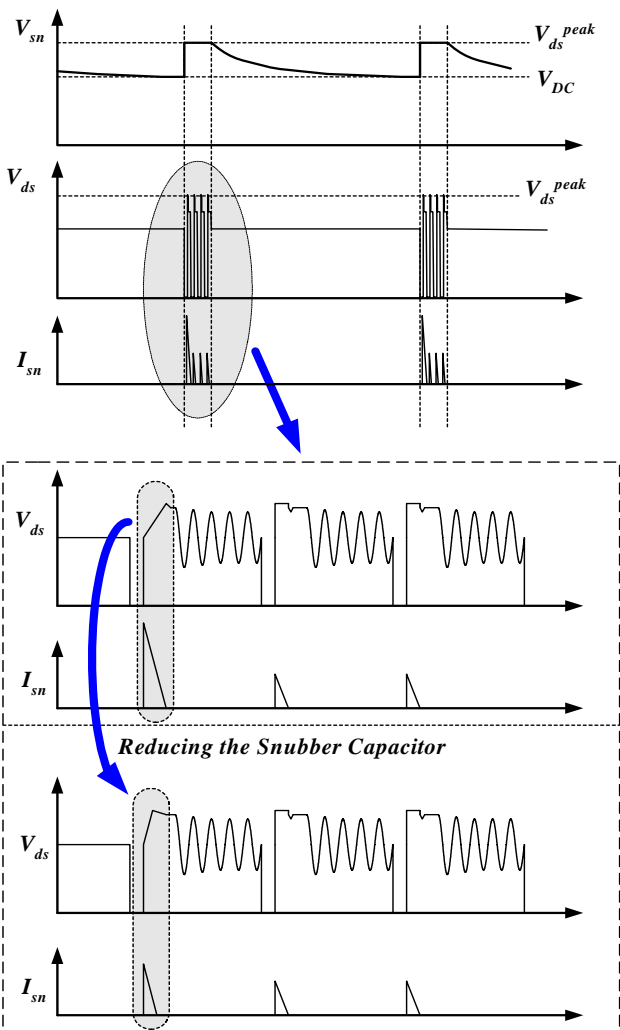


Figure 6. Effect of Reducing the Snubber Capacitor

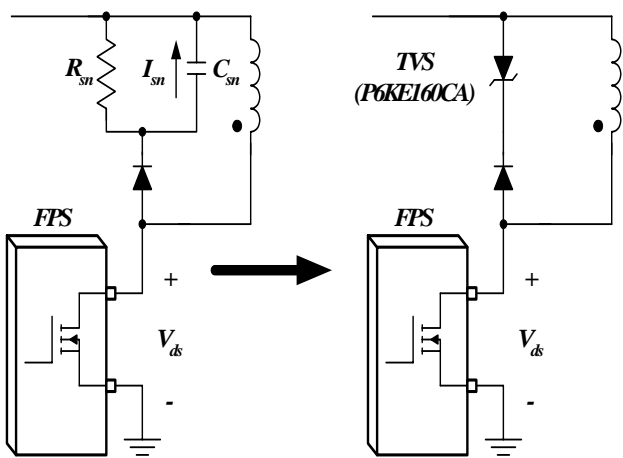


Figure 7. Zener Clamp Circuit with TVS

- Change the Fundamental Frequency of Burst Switching

In general, human ears are most sensitive to frequencies of 2~4kHz and are less sensitive to frequencies which are higher or lower as shown in the equal loudness curves of Figure 8. These are graphical representations of the sensitivity of the ear to frequencies over the range of human hearing at various loudness levels. Each line shows the intensity level for the range of frequency that gives a subjective perception of similar loudness in reference to a starting level at 1kHz.

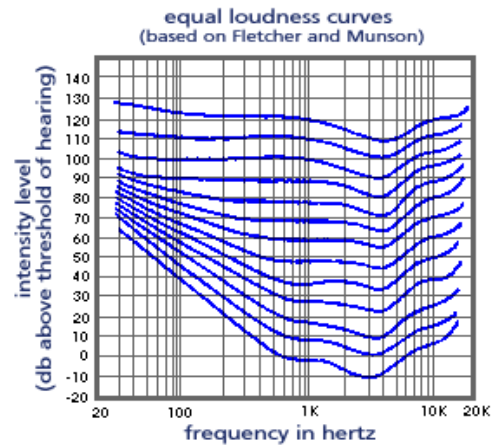


Figure 8. Equal Loudness Curves

Therefore, the subjective feeling of loudness can be lowered by moving the fundamental frequency of noise out of the 2~4kHz range. The fundamental frequency of burst switching can be changed by modifying the feedback network. Figure 9 shows a typical feedback network. The fundamental frequency can be reduced by one or more of the following methods

- increasing C_F
- increasing R_D
- increasing C_B
- decreasing R_F

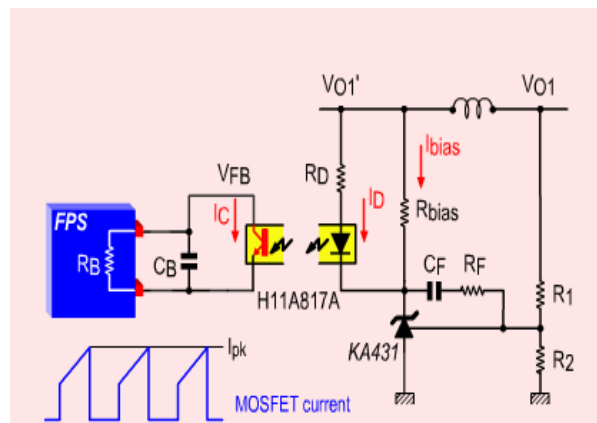
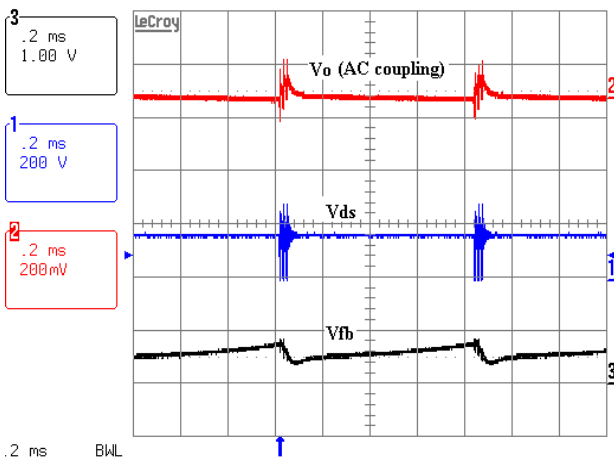


Figure 9. Typical Feedback Network of FPS

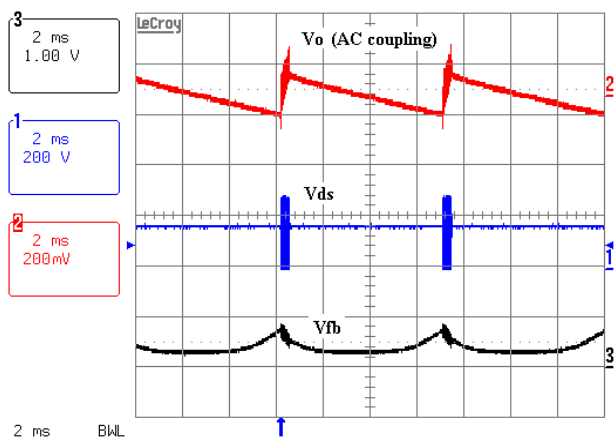
Figure 10 shows burst switching waveforms with feedback network parameters as

$$- R_F=1.2k, C_F=100nF, R_D=100, C_B=22nF$$

In this case, the fundamental frequency of burst switching is 1.2kHz. When R_D is increased from 100Ω to $1k\Omega$, the fundamental frequency is reduced to 142Hz as shown in Figure 11. With this circuit modification, the fundamental frequency is lowered along with the subjective perception of loudness. However, use caution when lowering the fundamental frequency since the number of switchings in each burst switching bundle as well as the output voltage ripple increases when the fundamental frequency decreases.



**Figure 10. Burst Switching Waveforms
(Fundamental Frequency is 1.2kHz)**



**Figure 11. Burst Switching Waveforms
(Fundamental Frequency is 142Hz)**

by Hang-Seok Choi, Ph. D

Power Conversion Team / Fairchild Semiconductor
Phone : +82-32-680-1383 Facsimile : +82-32-680-1317
E-mail : hangseok.choi@fairchildsemi.com

DISCLAIMER

FAIRCHILD SEMICONDUCTOR RESERVES THE RIGHT TO MAKE CHANGES WITHOUT FURTHER NOTICE TO ANY PRODUCTS HEREIN TO IMPROVE RELIABILITY, FUNCTION OR DESIGN. FAIRCHILD DOES NOT ASSUME ANY LIABILITY ARISING OUT OF THE APPLICATION OR USE OF ANY PRODUCT OR CIRCUIT DESCRIBED HEREIN; NEITHER DOES IT CONVEY ANY LICENSE UNDER ITS PATENT RIGHTS, NOR THE RIGHTS OF OTHERS.

LIFE SUPPORT POLICY

FAIRCHILD'S PRODUCTS ARE NOT AUTHORIZED FOR USE AS CRITICAL COMPONENTS IN LIFE SUPPORT DEVICES OR SYSTEMS WITHOUT THE EXPRESS WRITTEN APPROVAL OF THE PRESIDENT OF FAIRCHILD SEMICONDUCTOR CORPORATION. As used herein:

1. Life support devices or systems are devices or systems which, (a) are intended for surgical implant into the body, or (b) support or sustain life, or (c) whose failure to perform when properly used in accordance with instructions for use provided in the labeling, can be reasonably expected to result in significant injury to the user.
2. A critical component is any component of a life support device or system whose failure to perform can be reasonably expected to cause the failure of the life support device or system, or to affect its safety or effectiveness.

ON Semiconductor and  are trademarks of Semiconductor Components Industries, LLC dba ON Semiconductor or its subsidiaries in the United States and/or other countries. ON Semiconductor owns the rights to a number of patents, trademarks, copyrights, trade secrets, and other intellectual property. A listing of ON Semiconductor's product/patent coverage may be accessed at www.onsemi.com/site/pdf/Patent-Marking.pdf. ON Semiconductor reserves the right to make changes without further notice to any products herein. ON Semiconductor makes no warranty, representation or guarantee regarding the suitability of its products for any particular purpose, nor does ON Semiconductor assume any liability arising out of the application or use of any product or circuit, and specifically disclaims any and all liability, including without limitation special, consequential or incidental damages. Buyer is responsible for its products and applications using ON Semiconductor products, including compliance with all laws, regulations and safety requirements or standards, regardless of any support or applications information provided by ON Semiconductor. "Typical" parameters which may be provided in ON Semiconductor data sheets and/or specifications can and do vary in different applications and actual performance may vary over time. All operating parameters, including "Typicals" must be validated for each customer application by customer's technical experts. ON Semiconductor does not convey any license under its patent rights nor the rights of others. ON Semiconductor products are not designed, intended, or authorized for use as a critical component in life support systems or any FDA Class 3 medical devices or medical devices with a same or similar classification in a foreign jurisdiction or any devices intended for implantation in the human body. Should Buyer purchase or use ON Semiconductor products for any such unintended or unauthorized application, Buyer shall indemnify and hold ON Semiconductor and its officers, employees, subsidiaries, affiliates, and distributors harmless against all claims, costs, damages, and expenses, and reasonable attorney fees arising out of, directly or indirectly, any claim of personal injury or death associated with such unintended or unauthorized use, even if such claim alleges that ON Semiconductor was negligent regarding the design or manufacture of the part. ON Semiconductor is an Equal Opportunity/Affirmative Action Employer. This literature is subject to all applicable copyright laws and is not for resale in any manner.

PUBLICATION ORDERING INFORMATION

LITERATURE FULFILLMENT:

Literature Distribution Center for ON Semiconductor
19521 E. 32nd Pkwy, Aurora, Colorado 80011 USA
Phone: 303-675-2175 or 800-344-3860 Toll Free USA/Canada
Fax: 303-675-2176 or 800-344-3867 Toll Free USA/Canada
Email: orderlit@onsemi.com

N. American Technical Support: 800-282-9855 Toll Free
USA/Canada
Europe, Middle East and Africa Technical Support:
Phone: 421 33 790 2910
Japan Customer Focus Center
Phone: 81-3-5817-1050

ON Semiconductor Website: www.onsemi.com
Order Literature: <http://www.onsemi.com/orderlit>
For additional information, please contact your local
Sales Representative