

ON Semiconductor

Is Now

onsemi™

To learn more about onsemi™, please visit our website at
www.onsemi.com

onsemi and **onsemi** and other names, marks, and brands are registered and/or common law trademarks of Semiconductor Components Industries, LLC dba "**onsemi**" or its affiliates and/or subsidiaries in the United States and/or other countries. **onsemi** owns the rights to a number of patents, trademarks, copyrights, trade secrets, and other intellectual property. A listing of **onsemi** product/patent coverage may be accessed at www.onsemi.com/site/pdf/Patent-Marking.pdf. **onsemi** reserves the right to make changes at any time to any products or information herein, without notice. The information herein is provided "as-is" and **onsemi** makes no warranty, representation or guarantee regarding the accuracy of the information, product features, availability, functionality, or suitability of its products for any particular purpose, nor does **onsemi** assume any liability arising out of the application or use of any product or circuit, and specifically disclaims any and all liability, including without limitation special, consequential or incidental damages. Buyer is responsible for its products and applications using **onsemi** products, including compliance with all laws, regulations and safety requirements or standards, regardless of any support or applications information provided by **onsemi**. "Typical" parameters which may be provided in **onsemi** data sheets and/or specifications can and do vary in different applications and actual performance may vary over time. All operating parameters, including "Typicals" must be validated for each customer application by customer's technical experts. **onsemi** does not convey any license under any of its intellectual property rights nor the rights of others. **onsemi** products are not designed, intended, or authorized for use as a critical component in life support systems or any FDA Class 3 medical devices or medical devices with a same or similar classification in a foreign jurisdiction or any devices intended for implantation in the human body. Should Buyer purchase or use **onsemi** products for any such unintended or unauthorized application, Buyer shall indemnify and hold **onsemi** and its officers, employees, subsidiaries, affiliates, and distributors harmless against all claims, costs, damages, and expenses, and reasonable attorney fees arising out of, directly or indirectly, any claim of personal injury or death associated with such unintended or unauthorized use, even if such claim alleges that **onsemi** was negligent regarding the design or manufacture of the part. **onsemi** is an Equal Opportunity/Affirmative Action Employer. This literature is subject to all applicable copyright laws and is not for resale in any manner. Other names and brands may be claimed as the property of others.

Clock Management Design Using Low Skew and Low Jitter Devices

Prepared by: Paul Hunt
ON Semiconductor



ON Semiconductor™

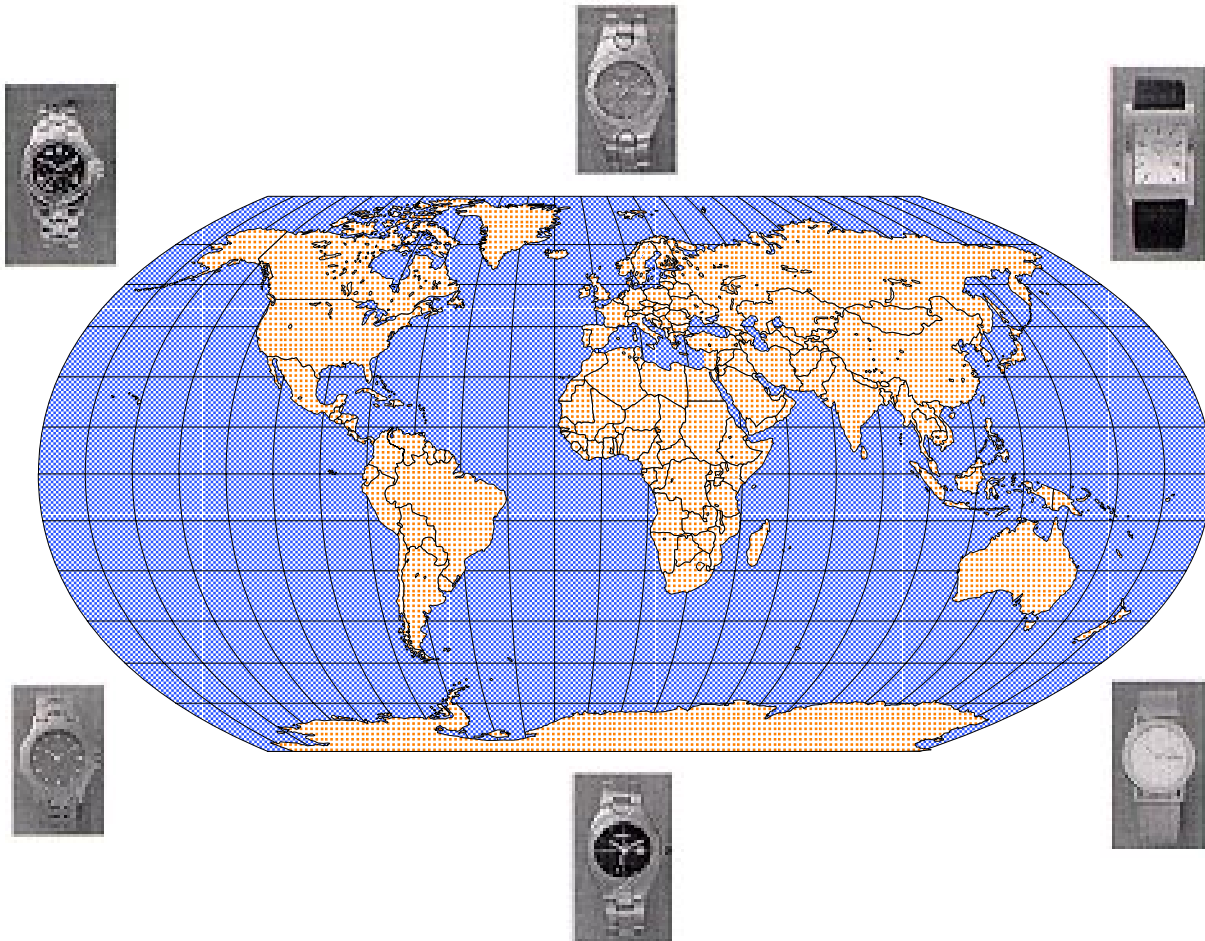
<http://onsemi.com>

TECHNICAL NOTE

Why Do We Need Clock Management?

Can you imagine the chaos in our world if our clocks or watches were not synchronized to Greenwich Mean Time? How would trains, buses, and airplanes run on schedule? The miniseries *Longitude* was the story of a man who made a major technological breakthrough by inventing an accurate clock that could be carried on sailing ships so navigators could accurately calculate longitude and know

where the ship was located at any moment in time. Before this, ships ran aground and many people lost their lives due to navigational errors. Even though there are fixed time zone differences throughout the world, all clocks must agree within fractions of seconds for civilization to work orderly and without confusion. Clock accuracy is one of the most important scientific technologies in our world today.



Typical Clock Management System

Clock Management of an electronic system (see Figure 1) depends on very accurate time keeping. A well-designed Clock Management scheme begins with a precise Clock Generator which is the standard Master Clock or Mean Time. The Master Clock is passed on to the Clock Distribution circuit which “fans out” multiple clocks throughout the system and activates individual events in the CPUs, ASICs, FPGAs, and Memory. All events are synchronized to the Master Clock and requires accurate devices to generate and distribute the clocks.

Accurate devices are described as those with low jitter and low skew. Jitter is uncertainty in the location of the rising or falling edge of the signal (see Figure 2). Jitter can be random

or deterministic. Jitter is called phase noise in the Master Clock and increases as it passes through each device. Noise from power supplies and crosstalk between signals also add to the total jitter. Jitter can be measured as peak-to-peak or RMS in picoseconds.

Skew is a time offset of the clocks as they travel throughout the system (see Figure 3). Skew is defined as duty-cycle skew, within-device skew, or device-to-device skew. Skew is reduced by adjusting the delay of signals within the system. It is similar to propagation delay and is measured in picoseconds.

Large values of jitter and skew on clocks reduce the maximum operating frequency of a system.

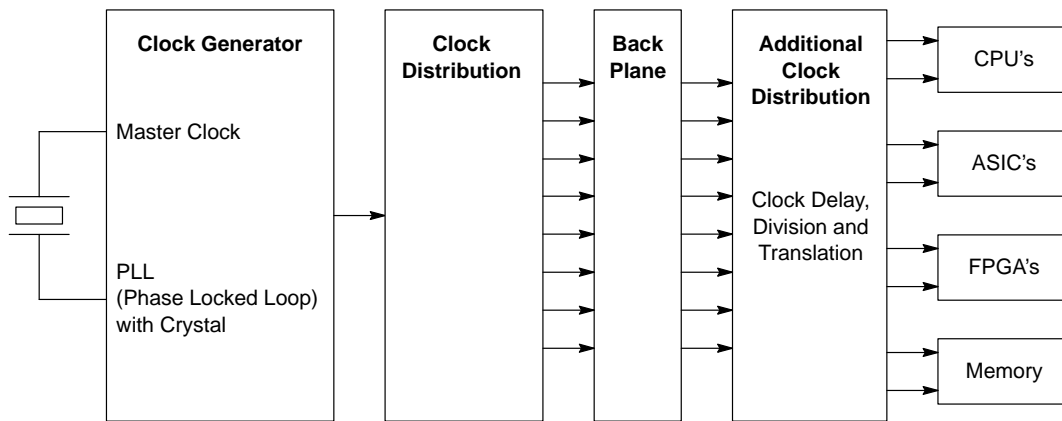
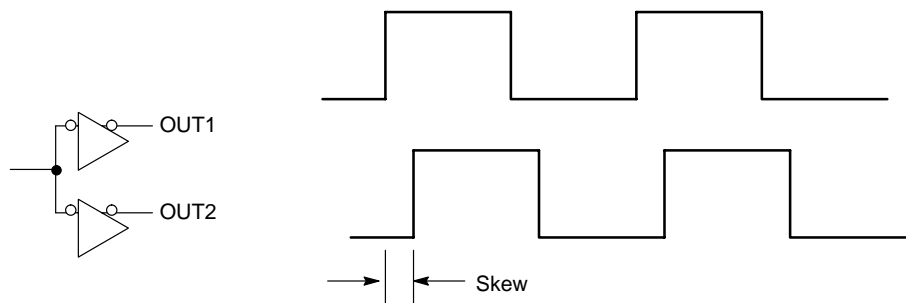


Figure 1. Typical Clock Management System



Jitter is the uncertainty caused by many factors including power supply noise, signal crosstalk, and device physics.

Figure 2. Jitter



Skew is a fixed difference between outputs caused by many factors including physical layout, device process variations, and unbalanced loading conditions.

Figure 3. Skew

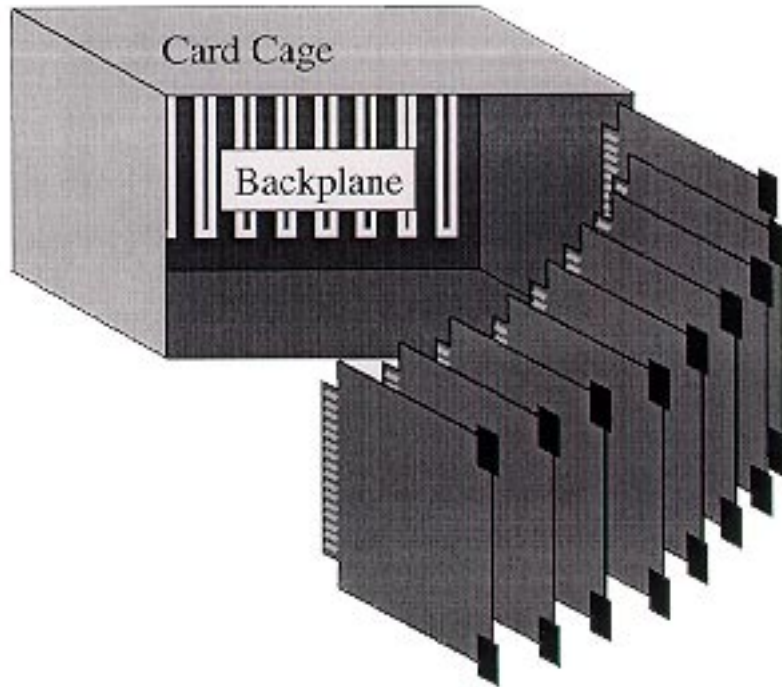
Clock Management Highways

Clock Management is included in electronic systems that contain backplanes (see Figure 4). Backplanes are the physical highways for clocks. They are multilayer printed circuit boards that are on the back of a card cage and have connectors that each circuit card plugs into. The design of the backplane is very critical to the performance of the Clock Management system. Many factors must be considered for a good backplane design.

The Clock Generator is typically on a circuit card with Clock Distribution circuits. The clocks are distributed

throughout the cards on the backplane and each card may then redistribute, delay, divide, and translate these clock signals.

Backplanes are noisy due to the high amount of electronic signal traffic. Standard connectors are also a problem on a backplane since they do not offer a good transition due to impedance mismatch. Most connectors do not offer differential signal capability and do not provide adequate ground pins for elimination of crosstalk. Backplanes tend to slow down signals because they have multiple layers which add capacitance and delay.



Clock Management systems distribute clocks over backplanes in super- and mini-computers, communication equipment like PABX, SONET/SDH systems, ATM, and advance test equipment.

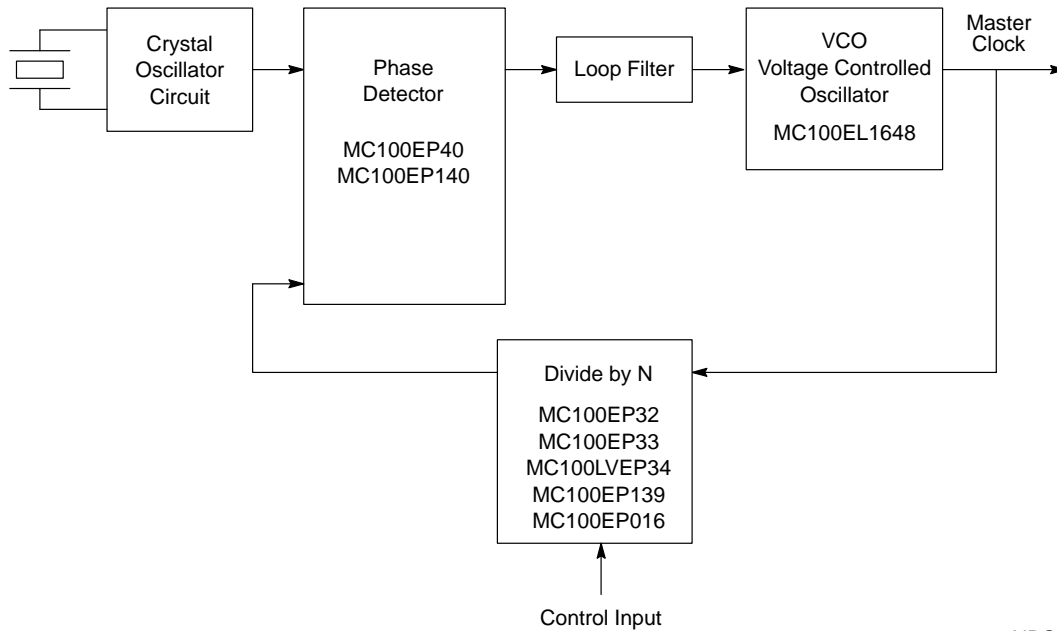
Figure 4. Example of Backplanes

The Building Blocks

Clock Generator

The Clock Generator uses a Phase Locked Loop (PLL) circuit to generate the Master Clock (see Figure 5). A Crystal Oscillator Circuit generates a low phase noise signal that is received by a phase detector. The phase detector compares the phase of the crystal oscillator with the output of the Divide by N counter. If both phases are the same, the circuit is in LOCK and a small output pulse from the phase detector is averaged by the Loop Filter. The Loop Filter outputs a voltage to the VCO which defines the Master Clock frequency. The Divide

by N counter can be programmed to increase or decrease the Master Clock frequency. The Master Clock is equal to the Crystal Oscillator frequency times the value N. This is why a PLL is sometimes called a frequency multiplier. The PLL is a feedback circuit; if the Master Clock begins to drift away, the shift in phase will be discovered by the Phase Detector. The Phase Detector will then generate a wider output pulse which will be averaged by the Loop Filter and this new value will push the VCO back in the right direction.



NBC12429
NBC12430

Figure 5. Clock Generation Using Phase Locked Loop Circuit

Clock Distribution

Clock Distribution circuits receive a single differential input and “fan out” multiple outputs with minimum skew (see Figure 6).

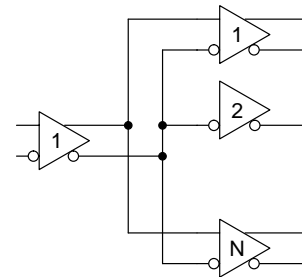


Figure 6. Clock Distribution Using 1:N Clock Driver Circuit

1:2	Dual 1:3	1:4	1:5	Dual 1:5	1:6	1:10	1:15
MC100EL11	MC100EL13	MC100EL15	MC100EL14	MC100LVEP210	MC100E211	MC100LVEP111	MC100LVE222
MC100LVEL11	MC100LVEL13		MC100LVEL14				
MC100EP11			MC100EP14				
MC100LVEP11			MC100LVEP14				

Delay Lines

Delay Lines are used to synchronize clocks that travel different distances within the Clock Management system (see Figure 7). It is difficult in the card cage with a backplane to distribute all clocks to all circuits using the same length line. The position of the cards in the card cage makes this impossible. One way to synchronize the clocks in a large system is to use delay line circuits. The signal comes into the device and is delayed by an amount determined by a programmable input. This programmable input can be a parallel word and/or a single analog voltage input.

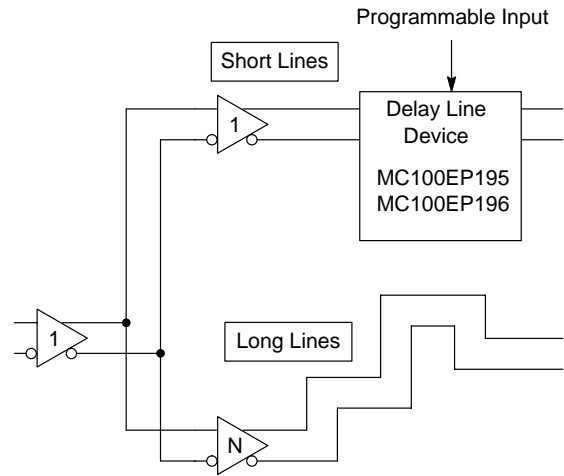


Figure 7. Example of Clock Delay

Clock Dividers

Clock Dividers are required to reduce the frequency of certain clocks within a system.

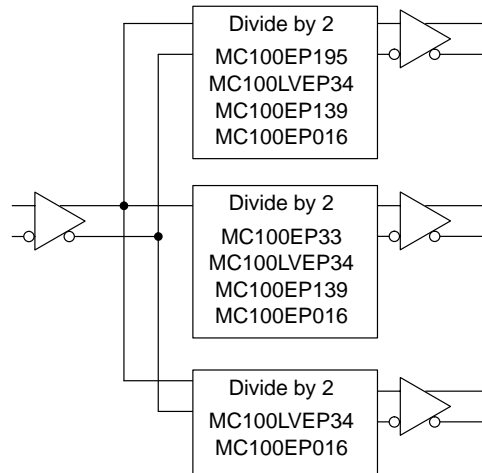


Figure 8. Example of Clock Division

Translators

Translators are required in Clock Management systems to convert voltage levels and amplitudes to other voltage levels and amplitudes to interface with other logic components.

These could be microprocessors, FPGAs, ASICs, or Memory all of which could have ECL, CMOS, TTL, LVDS, GTL, or HSTL inputs and outputs.

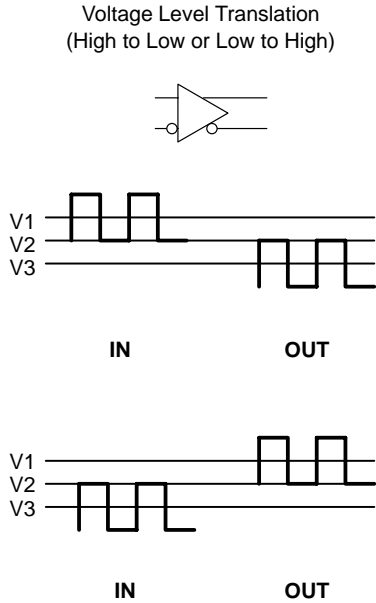


Figure 9. Voltage Level Translation

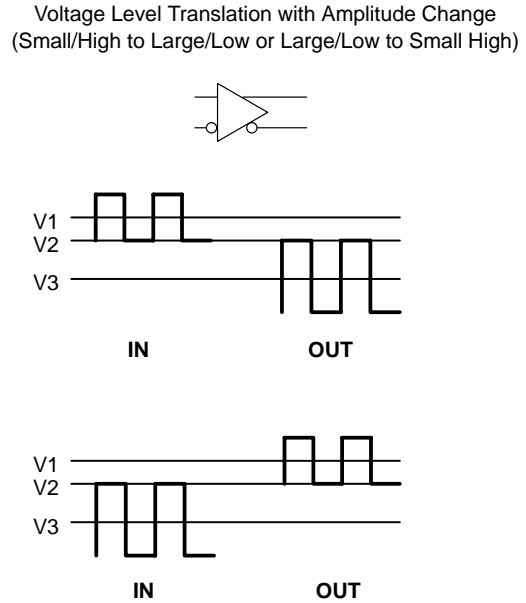


Figure 10. Voltage Level and Amplitude Translation

TRANSLATOR TABLE

	PECL/LVPECL	TTL/CMOS	LVDS	NECL
PECL/LVPECL	MC100EP16 MC100LVEP16 MC100LVEL92	MC100EPT21 MC100EPT23 MC100EPT26	MC100EP210S	MC100LVEL91
TTL/CMOS	MC100EPT20 MC100EPT22			MC100EPT24
LVDS	MC100LVEP16 MC100LVEP17			
NECL	MC100EP90	MC100EPT25		

NOTE: For more information, see application note AN1672.

The Challenges: We Have a Better Solution

Clock Management systems require the clocks to have low jitter and low skew. ECL logic provides less jitter and skew with a higher operating frequency than other technologies. ECL logic technology offers a number of advantages over CMOS, LVDS, and TTL in reducing clock errors caused by jitter and skew. ECL devices have 1 ps jitter and 25 ps skew compared to 15 ps jitter and 100 ps skew for LVDS and CMOS devices. (See Figure 11 and Figure 12). The frequency of ECL logic is 3 Ghz maximum frequency compared to 300 Mhz maximum frequency for LVDS and CMOS logic (see Figure 13). The rise and fall times of clock signals is very critical for

edge placement. ECL logic provides rise and fall times of 100 ps compared to rise and fall times of 800 ps for LVDS and CMOS logic (see Figure 14).

ECL logic technologies offer a number of advantages for reducing the noise due to crosstalk and signal mismatch on the backplane over CMOS, LVDS, and TTL technologies. ECL signals are differential signals and can be individually terminated to match the transmission impedance of the backplane ECL signals have adequate current (50 mA) to drive a backplane and can deliver signals with maximum frequencies of 3 Ghz. ECL peak-to-peak output signals of 800 mV provide a good signal-to-noise ratio and excellent EMI characteristics.

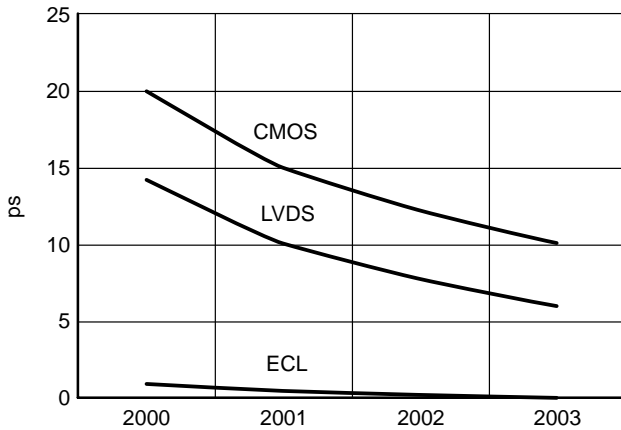


Figure 11. Standard I/O rms Jitter

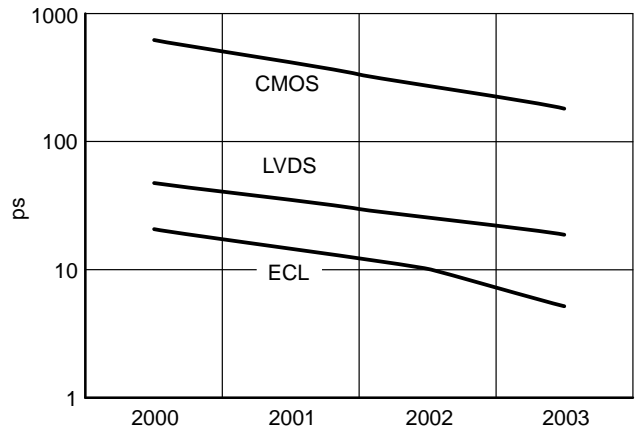


Figure 12. Standard I/O Skew

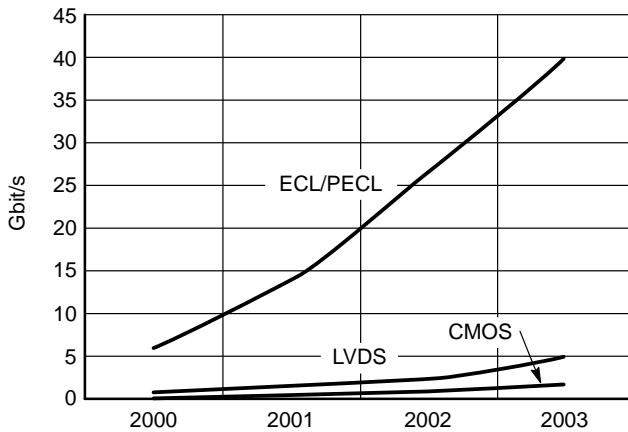


Figure 13. Standard I/O Fmax

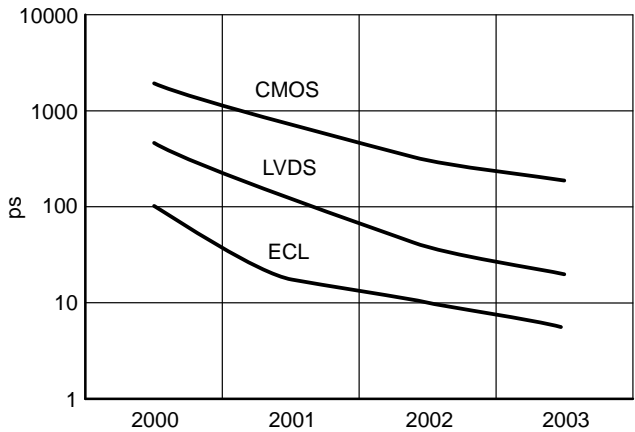



Figure 14. Standard Rise/Fall Time Comparisons

ON Semiconductor and  are trademarks of Semiconductor Components Industries, LLC (SCILLC). SCILLC reserves the right to make changes without further notice to any products herein. SCILLC makes no warranty, representation or guarantee regarding the suitability of its products for any particular purpose, nor does SCILLC assume any liability arising out of the application or use of any product or circuit, and specifically disclaims any and all liability, including without limitation special, consequential or incidental damages. "Typical" parameters which may be provided in SCILLC data sheets and/or specifications can and do vary in different applications and actual performance may vary over time. All operating parameters, including "Typicals" must be validated for each customer application by customer's technical experts. SCILLC does not convey any license under its patent rights nor the rights of others. SCILLC products are not designed, intended, or authorized for use as components in systems intended for surgical implant into the body, or other applications intended to support or sustain life, or for any other application in which the failure of the SCILLC product could create a situation where personal injury or death may occur. Should Buyer purchase or use SCILLC products for any such unintended or unauthorized application, Buyer shall indemnify and hold SCILLC and its officers, employees, subsidiaries, affiliates, and distributors harmless against all claims, costs, damages, and expenses, and reasonable attorney fees arising out of, directly or indirectly, any claim of personal injury or death associated with such unintended or unauthorized use, even if such claim alleges that SCILLC was negligent regarding the design or manufacture of the part. SCILLC is an Equal Opportunity/Affirmative Action Employer.

PUBLICATION ORDERING INFORMATION

Literature Fulfillment:

Literature Distribution Center for ON Semiconductor
P.O. Box 5163, Denver, Colorado 80217 USA
Phone: 303-675-2175 or 800-344-3860 Toll Free USA/Canada
Fax: 303-675-2176 or 800-344-3867 Toll Free USA/Canada
Email: ONlit@hibbertco.com

N. American Technical Support: 800-282-9855 Toll Free USA/Canada

JAPAN: ON Semiconductor, Japan Customer Focus Center
4-32-1 Nishi-Gotanda, Shinagawa-ku, Tokyo, Japan 141-0031
Phone: 81-3-5740-2700
Email: r14525@onsemi.com

ON Semiconductor Website: <http://onsemi.com>

For additional information, please contact your local Sales Representative.