



## Test Procedure for the NCV887720BSTGEVB Evaluation Board

### Operational Guidelines

The demo board is rated to operate full load (2.5 A) for an input voltage as low as 3.75 V at the input terminal under full power.

The DISB pin is rated 6 V maximum and is TTL compatible.

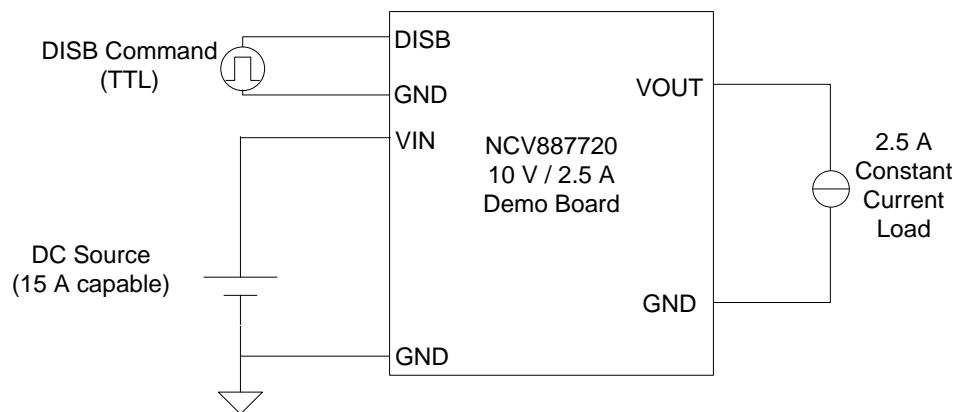
- A '0' state disables the power supply.
- A '1' state enables the power supply.

### Notes:

- 1- Limit time spent with the power supply operating at minimum input voltage (PCB VIN = 3.75 V) to avoid overheating the power semiconductors.

### Test Procedure:

1. Connect a DC source voltage (15 A capable) set to a voltage of 13-14 V as shown in Fig. 1.
2. Connect the DISB TTL control signal as shown in Fig. 1. The initial DISB state should be set to logic-'0'.
3. Connect a 2.5 A constant current load on the output.
4. Decrease the DC input voltage until the PCB VIN voltage is  $5.5V \pm 0.5V$ .
5. Set the DISB control signal to a TTL high state (i.e. 5 V).
6. Verify that the unit is regulating at  $V_{OUT} = 10.0 V$ .
7. Reduce the DC input voltage until the PCB VIN = 3.75 V. Verify that the unit is regulating at  $V_{OUT} = 10.0 V$ .



**Figure 1.** Demo Board Connections