

# NCP5378

## Single Phase Synchronous Buck Controller with Integrated Gate Drivers and Programmable DAC

The NCP5378 is a single chip solution which combines differential voltage sensing, differential phase current sensing, adaptive voltage positioning, and on board gate drivers to provide accurately regulated power for Intel processors. This controller IC maintains the same features as the multi-phase product family, but reduces the output to a single-phase, for lower current systems. Low power mode operation combined with inductor current sensing reduces system cost by providing the fastest initial response to dynamic load events.

The gate drive adaptive non overlap and power saving operation circuit can provide a low switching loss and high efficiency solution for notebook and desktop systems. A high performance operational error amplifier is provided to simplify compensation of the system. Dynamic Reference Injection further simplifies loop compensation by eliminating the need to compromise between closed-loop transient response and Dynamic VID performance.

### Features

- Meets Intel's VR11.1 Specifications
- High Performance Operational Error Amplifier
- Internal Soft Start
- Dynamic Reference Injection (Patent #US07057381)
- DAC Range from 0.5 V to 1.6 V
- $\pm 0.5\%$  DAC Voltage Accuracy from 1.0 V to 1.6 V
- True Differential Remote Voltage Sensing Amplifier
- "Lossless" Differential Inductor Current Sensing
- Adaptive Voltage Positioning (AVP)
- Latched Over Voltage Protection (OVP)
- Guaranteed Startup into Pre-Charged Loads
- Threshold Sensitive Enable Pin for VTT Sensing
- Power Good Output with Internal Delays
- Thermally Compensated Current Monitoring
- Thermal Shutdown Protection
- Adaptive-Non-Overlap Gate Drive Circuit
- Integrated MOSFET Drivers
- Automatic Power-saving Modes Maximize Efficiency during Light Load Operation
- 32-lead QFN
- This is a Pb-Free Device

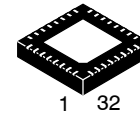
### Applications

- Desktop Power Supplies for Next-generation Intel Chipsets



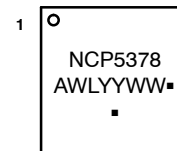
ON Semiconductor®

<http://onsemi.com>



QFN32  
CASE 488AM

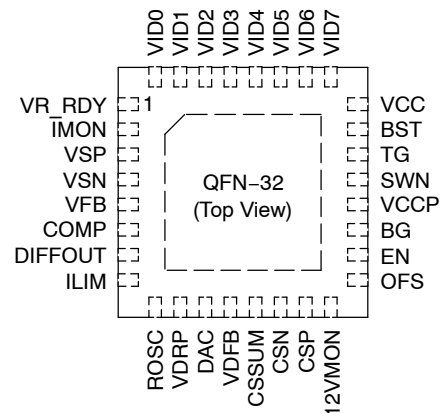
### MARKING DIAGRAM



- A = Assembly Location
- WL = Wafer Lot
- YY = Year
- WW = Work Week
- = Pb-Free Package

(Note: Microdot may be in either location)

### PIN CONNECTIONS



### ORDERING INFORMATION

Device	Package	Shipping†
NCP5378MNR2G	QFN32 (Pb-Free)	2500/Tape & Reel

†For information on tape and reel specifications, including part orientation and tape sizes, please refer to our Tape and Reel Packaging Specifications Brochure, BRD8011/D.

# NCP5378

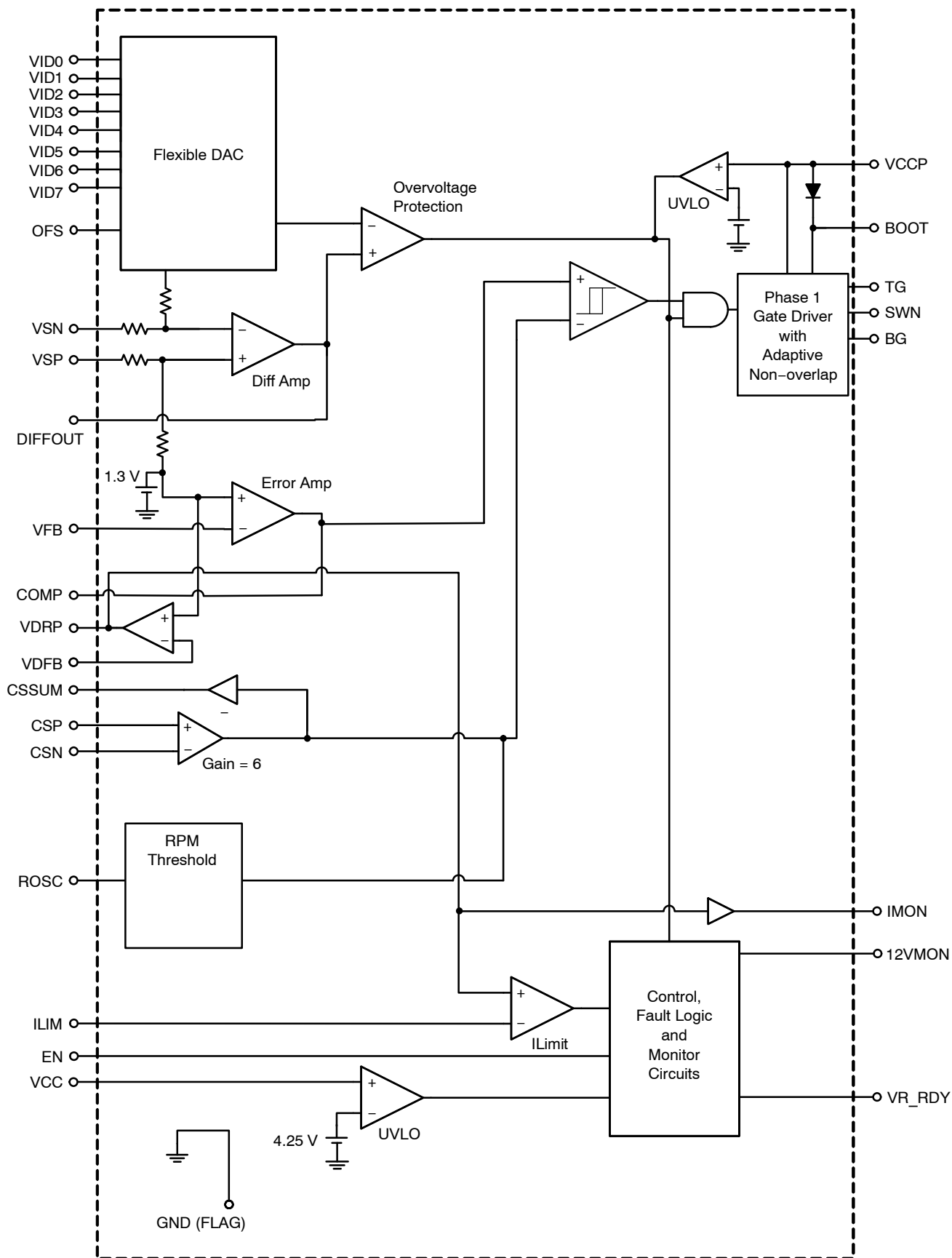


Figure 1. Functional Block Diagram

# NCP5378

**Table 1. PIN DESCRIPTIONS**

Pin No.	Symbol	Description
1	VR_RDY	Open collector output. High indicates that the output is regulating
2	IMON	0 to 1 Volt analog signal proportional to the output load current. VSN referenced Clamped to 1.1 Vmax
3	VSP	Non-inverting input to the internal differential remote sense amplifier
4	VSN	Inverting input to the internal differential remote sense amplifier
5	VFB	Compensation amplifier voltage feedback
6	COMP	Output of the compensation amplifier
7	DIFFOUT	Output of the differential remote sense amplifier
8	ILIM	Over current shutdown threshold setting. $ILIM = VDRP - 1.3\text{ V}$ . Resistor divide ROSC to set threshold
9	ROSC	A resistance from this pin to ground programs the oscillator frequency according to $f_{SW} = 1 / (ROSC \bullet 100\text{ pF})$ . This pin supplies a trimmed output voltage of 2.00 V.
10	VDRP	Voltage output signal proportional to current used for current limit and output voltage droop
11	DAC	DAC output used to provide feed forward for dynamic VID
12	VDFB	Droop Amplifier Voltage Feedback
13	CSSUM	Inverted Sum of the Differential Current Sense inputs.
14	CSN	Inverting input to current sense amplifier
15	CSP	Non-inverting input to current sense amplifier
16	12VMON	Monitor a 12 V input through a resistor divider
17	OFS	External Offset
18	EN	Threshold sensitive input. High = startup, Low = shutdown.
19	BG	Low side gate drive
20	VCCP	Power VCC for gate drivers with UVLO monitor
21	SWN	Switch Node
22	TG	High side gate drive
23	BST	Upper MOSFET floating BSTstrap supply for driver
24	VCC	Power for the internal control circuits with UVLO monitor
25	VID7	Voltage ID DAC input
26	VID6	Voltage ID DAC input
27	VID5	Voltage ID DAC input
28	VID4	Voltage ID DAC input
29	VID3	Voltage ID DAC input
30	VID2	Voltage ID DAC input
31	VID1	Voltage ID DAC input
32	VID0	Voltage ID DAC input
33/ FLAG	GND	Power supply return (QFN Flag)

# NCP5378

## ABSOLUTE MAXIMUM RATINGS

Rating	Symbol	Value	Unit
--------	--------	-------	------

### ELECTRICAL INFORMATION

Controller Power Supply Voltages to GND	$V_{CC}$	-0.3, 7	V
Driver Power Supply Voltages to GND	$V_{CCP}$	-0.3, 15	V
High-Side Gate Driver Supplies: BST to SWN	$V_{BST} - V_{SWN}$	40 V wrt/GND 40 V $\leq$ 50 ns wrt/GND -0.3, 15 wrt/SWN	V
High-Side FET Gate Driver Voltages: TG to SWN	$V_{TG} - V_{SWN}$	BOOT + 0.3 V 35 V $\leq$ 50 ns wrt/GND -0.3, 15 wrt/SWN -5 V (200 ns)	V
Switch Node: SWN	$V_{SWN}$	35 40 V $\leq$ 50 ns wrt/GND -5 VDC -10 V (200 ns)	V
Low-Side Gate Drive: BG	$V_{BG} - AGND$	$V_{CC} + 0.3$ V -5 V (200 ns)	V
Logic Inputs	$V_{LOGIC}$	-0.3, 6	V
GND	$V_{GND}$	0	V
V-		GND $\pm$ 300	mV
I <sub>mon</sub> Out	$V_{IMON}$	1.1	V
All Other Pins		-0.3, 5.5	V

### THERMAL INFORMATION

Thermal Characteristic QFN Package (Note 1)	$R_{\theta JA}$	32.6	°C/W
Operating Junction Temperature Range (Note 2)	$T_J$	0 to 125	°C
Operating Ambient Temperature Range	$T_{AMB}$	0 to +70	°C
Maximum Storage Temperature Range	$T_{STG}$	-55 to +150	°C
Moisture Sensitivity Level QFN Package	MSL	1	

Stresses exceeding Maximum Ratings may damage the device. Maximum Ratings are stress ratings only. Functional operation above the Recommended Operating Conditions is not implied. Extended exposure to stresses above the Recommended Operating Conditions may affect device reliability.

\*All signals referenced to GND unless noted otherwise.

\*The maximum package power dissipation must be observed.

1. JESD 51-5 (1S2P Direct-Attach Method) with 0 LFM
2. Operation at -40°C to 0°C guaranteed by design, not production tested.

# NCP5378

## ELECTRICAL CHARACTERISTICS

0°C < T<sub>A</sub> < 70°C; 0°C < T<sub>J</sub> < 125°C; 4.75 < V<sub>CC</sub> < 5.25 V; All DAC Codes; C<sub>VCC</sub> = 0.1 μF unless otherwise noted.

Parameter	Test Conditions	Min	Typ	Max	Unit
<b>ERROR AMPLIFIER</b>					
Input Bias Current		-200	-	200	nA
Open Loop DC Gain	C <sub>L</sub> = 60 pF to GND, R <sub>L</sub> = 10 kΩ to GND	-	100	-	dB
Open Loop Unity Gain Bandwidth	C <sub>L</sub> = 60 pF to GND, R <sub>L</sub> = 10 kΩ to GND	-	18	-	MHz
Open Loop Phase Margin	C <sub>L</sub> = 60 pF to GND, R <sub>L</sub> = 10 kΩ to GND	-	70	-	°
Slew Rate	ΔV <sub>in</sub> = 100 mV, G = -10V/V, ΔV <sub>out</sub> = 1.5 V - 2.5 V, C <sub>L</sub> = 60 pF to GND, DC Load = ±125 μA to GND	-	10	-	V/μs
Maximum Output Voltage	10 mV of Overdrive, I <sub>SOURCE</sub> = 2.0 mA	3.0	-	-	V
Minimum Output Voltage	10 mV of Overdrive, I <sub>SINK</sub> = 500 μA	-	-	75	mV
Output Source Current	10 mV of Overdrive, V <sub>out</sub> = 3.5 V	1.5	2.0	-	mA
Output Sink Current	10 mV of Overdrive, V <sub>out</sub> = 0.1 V	0.65	1.0	-	mA

## DIFFERENTIAL SUMMING AMPLIFIER

V+ Input Pull down Resistance	DRVON = low DRVON = high	- -	0.6 6.0	- -	kΩ
V+ Input Bias Voltage	DRVON = low DRVON = high	- 0.8	0.05 0.88	0.1 0.95	V
Input Voltage Range (Note 3)		-0.3	-	3.0	V
-3 dB Bandwidth	C <sub>L</sub> = 80 pF to GND, R <sub>L</sub> = 10 kΩ to GND	-	15	-	MHz
Closed Loop DC gain VS to Diffout (Note 3)	VS+ to VS- = 0.5 V to 1.6 V	0.98	1.0	1.02	V/V
Maximum Output Voltage	10 mV of Overdrive, I <sub>SOURCE</sub> = 2 mA	3.0	-	-	V
Minimum Output Voltage	10 mV of Overdrive, I <sub>SINK</sub> = 1 mA	-	-	0.5	V
Output Source Current	10 mV of Overdrive, V <sub>out</sub> = 3 V	1.5	2.0	-	mA
Output Sink Current	10 mV of Overdrive, V <sub>out</sub> = 0.2 V	1.0	1.5	-	mA

## INTERNAL OFFSET VOLTAGE

Offset Voltage to the (+) Pin of the Error Amp & the VDRP Pin		-2	0	+2	mV
---	--	----	---	----	----

## VDROOP AMPLIFIER

Input Bias Current		-200	-	200	nA
Inverting Voltage Range		0	1.3	3.0	V
Open Loop DC Gain	C <sub>L</sub> = 20 pF to GND including ESD R <sub>L</sub> = 1 kΩ to GND	-	100	-	dB
Open Loop Unity Gain Bandwidth	C <sub>L</sub> = 20 pF to GND including ESD R <sub>L</sub> = 1 kΩ to GND	-	18	-	MHz

3. Guaranteed by design.

4. For propagation delays, "tpdh" refers to the specified signal going high "tpdl" refers to it going low. Reference Gate Timing Diagram.

# NCP5378

## ELECTRICAL CHARACTERISTICS

0°C < T<sub>A</sub> < 70°C; 0°C < T<sub>J</sub> < 125°C; 4.75 < V<sub>CC</sub> < 5.25 V; All DAC Codes; C<sub>VCC</sub> = 0.1 μF unless otherwise noted.

Parameter	Test Conditions	Min	Typ	Max	Unit
-----------	-----------------	-----	-----	-----	------

### VDROOP AMPLIFIER

Open Loop Phase Margin	C <sub>L</sub> = 20 pF to GND including ESD R <sub>L</sub> = 1 kΩ to GND	–	70	–	°
Slew Rate	C <sub>L</sub> = 20 pF to GND including ESD R <sub>L</sub> = 1 kΩ to GND	–	10	–	V/μs
Maximum Output Voltage	10 mV of Overdrive, I <sub>SOURCE</sub> = 4.0 mA	3.0	–	–	V
Minimum Output Voltage	10 mV of Overdrive, I <sub>SINK</sub> = 1.0 mA	–	–	1.0	V
Output Source Current	10 mV of Overdrive, V <sub>out</sub> = 3.0 V	4.0	–	–	mA
Output Sink Current	10 mV of Overdrive, V <sub>out</sub> = 1.0 V	1.0	–	–	mA

### CSSUM AMPLIFIER

Current Sense Input to V <sub>DRP</sub> –3 dB Bandwidth	C <sub>L</sub> = 10 pF to GND, R <sub>L</sub> = 10 kΩ to GND	–	12	–	MHz
Current Summing Amp Output Offset Voltage	CSP – CSN = 0, CSP = 1.1 V	–16	–	+5	mV
Maximum CSSUM Output Voltage	CSP – CSN = –0.2 V (all phases) I <sub>SOURCE</sub> = 1 mA	3.0	–	–	V
Minimum CSSUM Output Voltage	CSP – CSN = 0.7 V (all phases) I <sub>SINK</sub> = 1 mA	–	–	0.3	V
Output Source Current	V <sub>out</sub> = 3.0 V	1.0	–	–	mA
Output Sink Current	V <sub>out</sub> = 0.3 V	4.0	–	–	mA

### CURRENT SENSE AMPLIFIERS

Input Bias Current	CSP = CSN = 1.4 V	–50	–	50	nA
Common Mode Input Voltage Range		–0.3	–	2.0	V
Differential Mode Input Voltage Range		–120	–	120	mV
Current Sharing Offset CSP to CSN (Note 3)	all VIOS	–2	–	2	mV
Current Sense Input to CSSUM Gain	0 V < CSP – CSN < 0.1 V	–3.834	–3.7	–3.574	V/V

### IMON

V <sub>DRP</sub> to IMON Gain	1.325 V > V <sub>DRP</sub> > 1.75 V	1.965	–	2.02	V/V
Current Sense Input to V <sub>DRP</sub> –3 dB Bandwidth	C <sub>L</sub> = 30 pF to GND, R <sub>L</sub> = 100 kΩ to GND	–	4.0	–	MHz
Output Referred Offset Voltage	V <sub>DRP</sub> = 1.5 V, I <sub>SOURCE</sub> = 0 mA	0	23	50	mV
Minimum Output Voltage	V <sub>DRP</sub> = 1.3 V, I <sub>SINK</sub> = 25 μA	–	–	0.1	V
Maximum Output Voltage	I <sub>out</sub> = 300 μA	1.0	–	–	V
Output Sink Current	V <sub>out</sub> = 0.3 V	175	–	–	μA
Maximum Clamp Voltage	IMON – VSN V <sub>DRP</sub> = HIGH R <sub>LOAD</sub> = Open	1.1	–	1.2	V

### RPM THRESHOLD

Ramp Slope (Note 3)	R <sub>OSC</sub> = 69.8 kΩ, DAC = 1.1 V		0.175		V/μs
R <sub>OSC</sub> Output		1.93	2.00	2.05	V

### VR\_RDY (Power Good) OUTPUT

VR_RDY Output Saturation Voltage	I <sub>PGD</sub> = 5 mA	–	–	0.4	V
VR_RDY Rise Time	External pull-up of 1 KΩ to 1.25 V, C <sub>TOT</sub> = 45 pF, ΔV <sub>o</sub> = 10% to 90%	–	100	250	ns

3. Guaranteed by design.

4. For propagation delays, “tpdh” refers to the specified signal going high “tpdl” refers to it going low. Reference Gate Timing Diagram.

# NCP5378

## ELECTRICAL CHARACTERISTICS

0°C < T<sub>A</sub> < 70°C; 0°C < T<sub>J</sub> < 125°C; 4.75 < V<sub>CC</sub> < 5.25 V; All DAC Codes; C<sub>VCC</sub> = 0.1 μF unless otherwise noted.

Parameter	Test Conditions	Min	Typ	Max	Unit
-----------	-----------------	-----	-----	-----	------

### VR\_RDY (Power Good) OUTPUT

VR_RDY Output Voltage at Power-up	VR_RDY pulled up to 5 V via 2 kΩ, t <sub>R(VCC)</sub> ≤ 3 × t <sub>R(5V)</sub> 100 μs ≤ t <sub>R(VCC)</sub> ≤ 20 ms	–	–	1.0	V
VR_RDY High – Output Leakage Current	VR_RDY = 5.5 V via 1 K	–	–	0.1	μA
VR_RDY Upper Threshold Voltage (INTEL)	V <sub>Core</sub> Increasing, DAC = 1.3 V	–	300	250	mV (below DAC)
VR_RDY Lower Threshold Voltage (INTEL)	V <sub>Core</sub> Decreasing, DAC = 1.3 V	390	350	300	mV (below DAC)
VR_RDY Rising Delay	V <sub>Core</sub> Increasing	–	250	–	ns
VR_RDY Falling Delay	V <sub>Core</sub> Decreasing	–	5.0	–	ns

### DIGITAL SOFT-START

Soft-Start Ramp Time	DAC = 0 to DAC = 1.1 V	1.0	–	1.3	ms
VR11 V <sub>boot</sub> time	Not used in Legacy Startup	400	500	600	μs

### VR11

VID Threshold		450	600	770	mV
VR11 Input Bias Current		–100	–	100	nA
Delay Before Latching VID Change (VID Deskewing) (Note 3)	Measured from the Edge of the 1st VID Change	200	–	300	ns

### ENABLE INPUT

Enable High Input Leakage Current	Pull-up to 1.3 V	–	–	200	nA
VR11.1 Threshold		450	600	770	mV
Enable Delay Time	Measure time from Enable transitioning HI to when SS begins	–	3.5	–	ms

### CURRENT LIMIT

ILIM to VDRP Gain		0.97	1.00	1.03	V/V
ILIM Pin Input Bias Current		–	0.1	1.0	μA
ILIM Pin Working Voltage Range		0.1	–	2.0	V
ILIM Accuracy	Measured with respect to the ILIM setting	–25	–	25	mV
Delay		–	–	120	ns

### OVERVOLTAGE PROTECTION

VR11 Over Voltage Threshold		VID+ 180	VID+ 205	VID+ 230	mV
Delay		–	–	100	ns

### UNDERVOLTAGE PROTECTION

V <sub>CC</sub> UVLO Start Threshold		4.0	4.25	4.5	V
V <sub>CC</sub> UVLO Stop Threshold		3.8	4.05	4.3	V
V <sub>CC</sub> UVLO Hysteresis		150	200	–	mV

### 12VMON UVLO

12VMON (High Threshold)	V <sub>CC</sub> Valid	–	0.77	0.8	V
12VMON (Low Threshold)	V <sub>CC</sub> Valid	0.4	0.68	–	V

3. Guaranteed by design.

4. For propagation delays, “tpdh” refers to the specified signal going high “tpdl” refers to it going low. Reference Gate Timing Diagram.

# NCP5378

## ELECTRICAL CHARACTERISTICS

0°C < T<sub>A</sub> < 70°C; 0°C < T<sub>J</sub> < 125°C; 4.75 < V<sub>CC</sub> < 5.25 V; All DAC Codes; C<sub>VCC</sub> = 0.1 μF unless otherwise noted.

Parameter	Test Conditions	Min	Typ	Max	Unit
<b>DAC OUTPUT</b>					
Output Source Current	V <sub>out</sub> = 1.6 V	0	–	5.0	mA
Output Sink Current	V <sub>out</sub> = 0.3 V	5.0	–	16	mA
<b>VID INPUTS</b>					
Threshold		450	600	770	mV
VR11 Mode Leakage		–100	–	100	nA
Delay before Latching VID Change (VID Deskewing) (Note 3)	Measured from the edge of the 1 <sup>st</sup> VID change	200	–	300	ns
<b>DIGITAL DAC SLEW RATE LIMITER</b>					
Slew Rate Limit		12.5	–	16	mV/μs
Soft-Start Slew Rate		–	0.84	–	mV/μs
<b>INPUT SUPPLY CURRENT</b>					
V <sub>CC</sub> Quiescent Current	EN Low, No PWM	10	–	30	mA
<b>V<sub>CCP</sub> SUPPLY VOLTAGE</b>					
V <sub>CCP</sub> UVLO Start Threshold		8.2	9.0	9.5	V
V <sub>CCP</sub> UVLO Stop Threshold		7.2	8.0	8.5	V
V <sub>CCP</sub> UVLO Hysteresis		1.0	–	–	V
V <sub>CCP</sub> POR	Voltage at which the Driver OVP becomes active	3.0	3.2	–	
<b>BOOST PIN UVLO</b>					
BOOST UVLO Start Threshold (Note 3)		3.15		4.15	V
BOOST UVLO Stop Threshold (Note 3)		3.0		3.85	V
BOOST UVLO Hysteresis (Note 3)		50	200	–	mV
<b>STARTUP HIGH SIDE SHORT TRIP (Active only during 1<sup>st</sup> power on)</b>					
V <sub>swx</sub> Output Overvoltage Trip Threshold at Startup	Power Startup time, V <sub>CC</sub> > 9 V	1.7	–	2.03	V
<b>HIGH SIDE DRIVER</b>					
R <sub>H_TG</sub> Output Resistance, Sourcing	V <sub>BST</sub> – V <sub>SW</sub> = 12 V	–	1.8	–	Ω
R <sub>H_TG</sub> Output Resistance, Sinking	V <sub>BST</sub> – V <sub>SW</sub> = 12 V	–	1.0	–	
T <sub>rDRVH</sub> Transition Time	C <sub>LOAD</sub> = 3 nF, V <sub>BST</sub> – V <sub>SW</sub> = 12 V	–	25	–	ns
T <sub>fDRVH</sub> Transition Time	C <sub>LOAD</sub> = 3 nF, V <sub>BST</sub> – V <sub>SW</sub> = 12 V	–	20	–	ns
T <sub>pdhDRVH</sub> Propagation Delay (Note 4)	Driving High, C <sub>LOAD</sub> = 3.3 nF, V <sub>CCP</sub> = 12 V	–	15	–	ns
<b>LOW SIDE DRIVER</b>					
R <sub>H_BG</sub> Output Resistance, Sourcing	SW = GND	–	1.6	–	Ω
R <sub>L_BG</sub> Output Resistance, Sinking	SW = V <sub>CC</sub>	–	1.0	–	Ω
T <sub>rDRVL</sub> Transition Time	C <sub>LOAD</sub> = 3 nF	–	20	–	ns
T <sub>fDRVL</sub> Transition Time	C <sub>LOAD</sub> = 3 nF	–	20	–	ns
T <sub>pdhDRVL</sub> Propagation Delay (Note 4)	Driving High, C <sub>LOAD</sub> = 3.3 nF, V <sub>CCP</sub> = 12 V	–	20	–	ns
V <sub>NCDT</sub> Negative Current Detector Threshold (Note 3)		–	–4.0	–	mV

3. Guaranteed by design.

4. For propagation delays, “tpdh” refers to the specified signal going high “tpdl” refers to it going low. Reference Gate Timing Diagram.



# NCP5378

## ELECTRICAL CHARACTERISTICS

0°C < T<sub>A</sub> < 70°C; 0°C < T<sub>J</sub> < 125°C; 4.75 < V<sub>CC</sub> < 5.25 V; All DAC Codes; C<sub>VCC</sub> = 0.1 μF unless otherwise noted.

Parameter	Test Conditions	Min	Typ	Max	Unit
-----------	-----------------	-----	-----	-----	------

### THERMAL SHUTDOWN

Tsd Thermal Shutdown (Note 3)		150	170	–	°C
Tsdhys Thermal Shutdown Hysteresis (Note 3)		–	20	–	°C

### VRM 11 DAC

System Voltage Accuracy	1.0 V < DAC < 1.6 V	–	–	±0.5	%
	0.8 V < DAC < 1.0 V	–	–	±5.0	mV
	0.5 V < DAC < 0.8 V	–	–	±8.0	mV

3. Guaranteed by design.

4. For propagation delays, “tpdh” refers to the specified signal going high “tpdl” refers to it going low. Reference Gate Timing Diagram.

# NCP5378

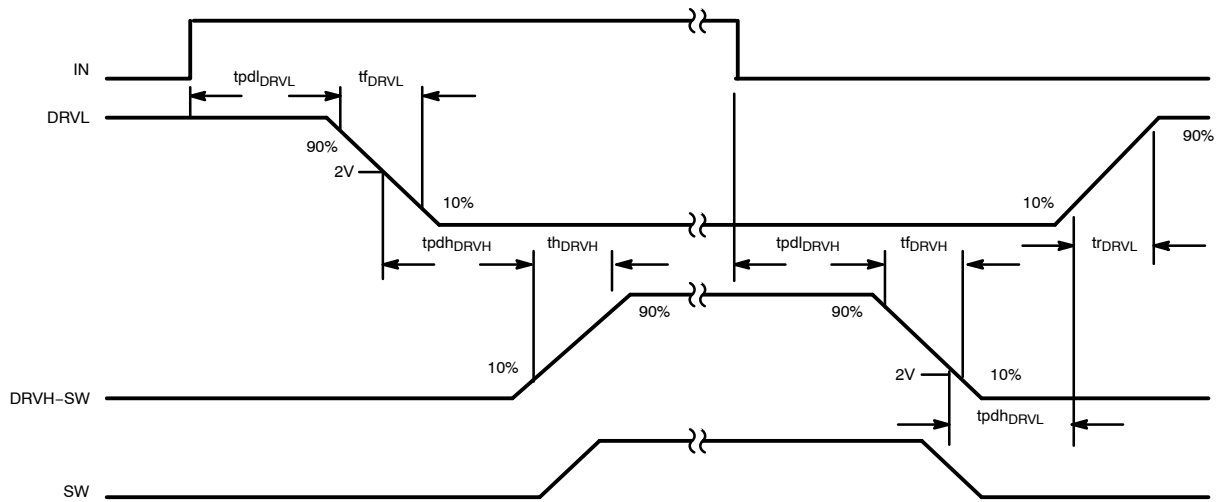


Figure 2. Timing Diagram

## FUNCTIONAL DESCRIPTIONS

### General

The NCP5378 is a ramp-pulse-modulated (RPM) controller designed with necessary features for CPU applications. The IC consists of the following blocks: Precision Flexible DAC, Differential Remote Voltage Sense Amplifier, High Performance Voltage Error Amplifier, Differential Current Feedback Amplifier, precision programmable DAC and PWM Comparator with Hysteresis. The controller also supports power saving operation at light load. Protection features include: Undervoltage Lockout, Soft Start, Over Current Protection, Over Voltage Protection, and Power Good Monitor.

### VID Inputs

VID0–VID7 control the target regulation voltage during normal operation. In VR11 mode the VID capture is enabled at the end of the  $V_{BST}$  waiting period. If the VID is valid the DAC counter will track to it. If an invalid VID occurs it will be ignored for 10  $\mu$ s before the controller shuts down.

### Remote Sense Amplifier

A high performance differential amplifier is provided to accurately sense the output voltage of the regulator. The noninverting input should be connected to the regulator's output voltage. The inverting input should be connected to the return line of the regulator. Both connection points are intended to be at a remote point so that the most accurate reading of the output voltage can be obtained. The amplifier is configured in a very unique way. First, the gain of the amplifier is internally set to unity. Second, both the inverting and noninverting inputs of the amplifier are summing nodes. The inverting input sums the output voltage return voltage with the DAC voltage. The noninverting input sums the

remote output voltage with a 1.3 V reference. The resulting voltage at the output of the remote sense amplifier is:

$$V_{\text{Diffout}} = V_{\text{out}} + 1.3 \text{ V} - V_{\text{dac}} - V_{\text{outreturn}}$$

This signal then goes through a standard compensation circuit and into the inverting input of the error amplifier. The noninverting input of the error amplifier is also connected to the 1.3 V reference. The 1.3 V reference then is subtracted out and the error signal at the comp pin of the error amplifier is as normally expected:

$$V_{\text{comp}} = V_{\text{dac}} - V_{\text{out}}$$

The noninverting input of the remote sense amplifier is pulled low through a small current sink during a fault condition to prevent accidental charging of the regulator output.

### High Performance Voltage Error Amplifier

A high performance voltage error amplifier is provided. The error amplifier's inverting input and its output (the compensation pin) are both pinned out. A standard type 3 compensation circuit is used to compensate the system. This involves a 3 pole, 2 zero compensation network. The system output current during a transient can slew as fast as 500 A/ $\mu$ s. The high frequency output impedance of the system may be as low as 0.5 milli-ohm. The PWM will need to go from a low duty cycle to full duty cycle within 100 ns. In order to respond to this magnitude of change, the output of the error amplifier must slew at a rate of at least 5 V/ $\mu$ s. The error amplifier output voltage needs to be able to slew from steady state to below 1.0 V or above 2.5 V. The error amplifier also needs to be very fast. The output of the error amplifier needs to respond within 50 ns to any perturbation on the input.

The comp pin will be pulled to ground in a fault condition and should not jump up when the fault cleared.

#### Differential Current Feedback Amplifier

A differential amplifier are provided to sense the output current of each phase.

The current sense amplifier senses the current through its corresponding phase. A voltage is generated across a current sense element such as an inductor or sense resistor. The sense voltage will be very low. The sense element will normally be between 0.5 mΩ and 1.5 mΩ. It is possible to sense both negative and positive going current. It is further possible that the differential sense signal is below 0 V. The output of these amplifiers shall not invert if the common mode range is exceeded.

The gain of this amplifier is fixed and is noninverting. The output of the amplifier is used to control 3 functions. First, the output controls the adaptive voltage positioning, where the output voltage is actively controlled according to the output current. Second, the output signal is fed to the current limit circuit. Finally, the phase current is connected to the PWM comparator. The offset voltage difference from amplifier to amplifier and the error in bias current from amplifier to amplifier need to be minimized. The offset and bias current design needs to be able to eliminate differences from amplifier to amplifier.

#### Switching Frequency in RPM Mode

When the NCP5378 operates in RPM mode, its switching frequency is controlled by the ripple voltage on the COMP pin. Each time the COMP pin voltage exceeds the RPM pin voltage threshold level determined by the VID voltage and the external resistor connected between RPM and ground, an internal ramp signal is started and TG is driven high. The slew rate of the internal ramp is programmed by the current entering the ROSC pin. When the internal ramp signal intercepts the COMP voltage, the TG pin is reset low. In continuous current mode, the switching frequency of RPM operation is almost constant. While in discontinuous current conduction mode, the switching frequency is reduced as a function of the load current.

#### Soft Start

Soft start is implemented internally. A digital counter steps the DAC up from zero to the target voltage based on the predetermined rate in the spec table.

The VR11 mode ramps DAC to 1.1 V, pauses for 500 μs, reads the DAC setting, then ramps to the final DAC setting.

#### Digital Slew Rate Limiter / Soft Start Block

The slew rate limiter and the soft-start block are to be implemented with a digital up/down counter controlled by an oscillator that can be synchronized to VID line changes. During soft start the DAC will ramp at the softstart rate, after soft start is complete the ramp rate will follow the Intel rate depending on the mode. In normal operation the design must keep up with the Intel spec of 1 DAC step every 1.25 μs.

The DAC must be implemented down as close to zero as possible (less than 20 mV out the DAC Buffer) in order to avoid the output voltage jumping up at the beginning of the ramp.

Preferably when DAC = 0 the buffer to the RS amp should deliver less than 20 mV. The digital DAC offset should be introduced prior to the digital compare.

### Protection Features

#### Undervoltage Lockouts

An undervoltage circuit senses the input  $V_{CC}$  and  $V_{CCP}$  of the controller and driver voltage rail. During power up the input voltage to the controller is monitored. The PWM outputs and the soft start circuit are disabled until the input voltage exceeds the threshold voltage of the comparator. Hysteresis is incorporated within the comparator.

The PWM signals will control the gate status when  $V_{CC}$  threshold is exceeded. If  $V_{CC}$  decreases below the stop threshold, the output gate will be forced low until input voltage  $V_{CC}$  rises above the startup threshold.

#### Overcurrent Latch

A programmable overcurrent latch is incorporated within the IC. The oscillator pin provides the reference voltage for this pin. A resistor divider from this pin generates the reference voltage. The latch is set when the current information exceeds the programmed voltage. To recover the part must be reset by the EN pin or by cycling  $V_{CC}$ .

The outputs will remain disabled until the  $V_{CC}$  voltage or EN is removed and reapplied.

#### UVLO Monitor

If the output voltage falls greater than 300 mV below the DAC voltage the UVLO comparator will trip sending the VR\_RDY signal low.

#### Overvoltage Protection

The output voltage is monitored at the input of the differential amplifier. During normal operation, if the output voltage exceeds the DAC voltage by 180 mV (OR 350 mV if OFS is active), the VR\_RDY flag goes low, the high side gate drivers are all brought low, and the low side gate drivers are all brought high until the voltage falls below the OVP threshold. If the over voltage trip 8 times the output voltage will shut down. The OVP will not shut down the controller if it occurs during soft-start. This is to allow the controller to pull the output down to the DAC voltage and start up into a pre-charged output.

#### VCCP Power ON Reset OVP

The VCCP power on reset OVP feature is used to protect the CPU during startup. When VCCP is higher than 3.2 V, the gate driver will monitor the switching node SW pin. If SWN pin higher than 1.9 V, the bottom gate will be forced to high for discharge of the output capacitor. This works best if the 5 V standby is diode OR'ed into VCCP with the 12 V rail. The

fault mode will be latched unless VCCP is reduced below the UVLO threshold.

### Power Saving Mode

The device maintains a RPM operation in power saving mode. The 12VMON input will be used for two purposes: feedforward input supply information for RPM mode and secondary power input voltage UVLO.

### Adaptive Non-overlap

The non-overlap dead time control is used to avoid shoot through damage to the power MOSFETs. When the PWM signal pull high, BG will go low after a propagation delay, the controller monitors the switching node (SWN) pin voltage and the gate voltage of the MOSFET to know the status of the MOSFET. When the low side MOSFET status is off an internal timer will delay turn on of the high-side MOSFET. When the PWM pull low, gate TG will go low after the propagation delay (tpdIDRVH). The time to turn off the high side MOSFET is depending on the total gate charge of the high-side MOSFET. A timer will be triggered once the high side MOSFET is turn off to delay the turn on the low-side MOSFET.

### Externally Programmable Offset

The OFS pin provides a means to program a DC current for generating an offset voltage across the resistor, R<sub>FBS</sub> between FB and V<sub>DIFF</sub>. The offset current is generated via an external resistor and precision internal voltage references. For positive offset connect a resistor to GND.

For negative offset connect a resistor to V<sub>CC</sub>. The nominal no-load offset on NCP5378 is -19 mV.

To set the no-load offset please use the equations below:

For Negative Offset connect R<sub>OFS</sub> to V<sub>CC</sub>

$$R_{OFS} = \frac{(V_{CC} - 2.0) \cdot R_{FB}}{V_{OFFSET}}$$

For Positive Offset connect R<sub>OFS</sub> to GND

$$R_{OFS} = \frac{0.3 \times R_{FB}}{V_{OFFSET}}$$

For example to get 0 mV no-load offset; (since the part has a nominal of -19mV)

$$R_{OFS} = \frac{0.3 \times R_{FB}}{19 \text{ mV}}$$

### Layout Guidelines

Layout is very important thing for design a DC-DC converter. The strap capacitor and Vin capacitor are most critical items, it should be placed as close as to the controller IC. Another item is using a GND plane. Ground plane can provide a good return path for gate drives for reducing the ground noise. Therefore GND pin should be directly connected to the ground plane and close to the low-side MOSFET source pin. Also, the gate drive trace should be considered. The gate drives has a high di/dt when switching, therefore a minimized gate drives trace can reduce the di/dv, raise and fall time for reduce the switching loss.

# NCP5378

**Table 2. VRM11 VID Codes**

VID7 800 mV	VID6 400 mV	VID5 200 mV	VID4 100 mV	VID3 50 mV	VID2 25 mV	VID1 12.5 mV	VID0 6.25 mV	Voltage (V)	HEX
0	0	0	0	0	0	0	0		00
0	0	0	0	0	0	0	1		01
0	0	0	0	0	0	1	0	1.60000	02
0	0	0	0	0	0	1	1	1.59375	03
0	0	0	0	0	1	0	0	1.58750	04
0	0	0	0	0	1	0	1	1.58125	05
0	0	0	0	0	1	1	0	1.57500	06
0	0	0	0	0	1	1	1	1.56875	07
0	0	0	0	1	0	0	0	1.56250	08
0	0	0	0	1	0	0	1	1.55625	09
0	0	0	0	1	0	1	0	1.55000	0A
0	0	0	0	1	0	1	1	1.54375	0B
0	0	0	0	1	1	0	0	1.53750	0C
0	0	0	0	1	1	0	1	1.53125	0D
0	0	0	0	1	1	1	0	1.52500	0E
0	0	0	0	1	1	1	1	1.51875	0F
0	0	0	1	0	0	0	0	1.51250	10
0	0	0	1	0	0	0	1	1.50625	11
0	0	0	1	0	0	1	0	1.50000	12
0	0	0	1	0	0	1	1	1.49375	13
0	0	0	1	0	1	0	0	1.48750	14
0	0	0	1	0	1	0	1	1.48125	15
0	0	0	1	0	1	1	0	1.47500	16
0	0	0	1	0	1	1	1	1.46875	17
0	0	0	1	1	0	0	0	1.46250	18
0	0	0	1	1	0	0	1	1.45625	19
0	0	0	1	1	0	1	0	1.45000	1A
0	0	0	1	1	0	1	1	1.44375	1B
0	0	0	1	1	1	0	0	1.43750	1C
0	0	0	1	1	1	0	1	1.43125	1D
0	0	0	1	1	1	1	0	1.42500	1E
0	0	0	1	1	1	1	1	1.41875	1F
0	0	1	0	0	0	0	0	1.41250	20
0	0	1	0	0	0	0	1	1.40625	21
0	0	1	0	0	0	1	0	1.40000	22
0	0	1	0	0	0	1	1	1.39375	23
0	0	1	0	0	1	0	0	1.38750	24
0	0	1	0	0	1	0	1	1.38125	25
0	0	1	0	0	1	1	0	1.37500	26
0	0	1	0	0	1	1	1	1.36875	27
0	0	1	0	1	0	0	0	1.36250	28
0	0	1	0	1	0	0	1	1.35625	29
0	0	1	0	1	0	1	0	1.35000	2A

# NCP5378

**Table 2. VRM11 VID Codes**

VID7 800 mV	VID6 400 mV	VID5 200 mV	VID4 100 mV	VID3 50 mV	VID2 25 mV	VID1 12.5 mV	VID0 6.25 mV	Voltage (V)	HEX
0	0	1	0	1	0	1	1	1.34375	2B
0	0	1	0	1	1	0	0	1.33750	2C
0	0	1	0	1	1	0	1	1.33125	2D
0	0	1	0	1	1	1	0	1.32500	2E
0	0	1	0	1	1	1	1	1.31875	2F
0	0	1	1	0	0	0	0	1.31250	30
0	0	1	1	0	0	0	1	1.30625	31
0	0	1	1	0	0	1	0	1.30000	32
0	0	1	1	0	0	1	1	1.29375	33
0	0	1	1	0	1	0	0	1.28750	34
0	0	1	1	0	1	0	1	1.28125	35
0	0	1	1	0	1	1	0	1.27500	36
0	0	1	1	0	1	1	1	1.26875	37
0	0	1	1	1	0	0	0	1.26250	38
0	0	1	1	1	0	0	1	1.25625	39
0	0	1	1	1	0	1	0	1.25000	3A
0	0	1	1	1	0	1	1	1.24375	3B
0	0	1	1	1	1	0	0	1.23750	3C
0	0	1	1	1	1	0	1	1.23125	3D
0	0	1	1	1	1	1	0	1.22500	3E
0	0	1	1	1	1	1	1	1.21875	3F
0	1	0	0	0	0	0	0	1.21250	40
0	1	0	0	0	0	0	1	1.20625	41
0	1	0	0	0	0	1	0	1.20000	42
0	1	0	0	0	0	1	1	1.19375	43
0	1	0	0	0	1	0	0	1.18750	44
0	1	0	0	0	1	0	1	1.18125	45
0	1	0	0	0	1	1	0	1.17500	46
0	1	0	0	0	1	1	1	1.16875	47
0	1	0	0	1	0	0	0	1.16250	48
0	1	0	0	1	0	0	1	1.15625	49
0	1	0	0	1	0	1	0	1.15000	4A
0	1	0	0	1	0	1	1	1.14375	4B
0	1	0	0	1	1	0	0	1.13750	4C
0	1	0	0	1	1	0	1	1.13125	4D
0	1	0	0	1	1	1	0	1.12500	4E
0	1	0	0	1	1	1	1	1.11875	4F
0	1	0	1	0	0	0	0	1.11250	50
0	1	0	1	0	0	0	1	1.10625	51
0	1	0	1	0	0	1	0	1.10000	52
0	1	0	1	0	0	1	1	1.09375	53
0	1	0	1	0	1	0	0	1.08750	54
0	1	0	1	0	1	0	1	1.08125	55

# NCP5378

**Table 2. VRM11 VID Codes**

VID7 800 mV	VID6 400 mV	VID5 200 mV	VID4 100 mV	VID3 50 mV	VID2 25 mV	VID1 12.5 mV	VID0 6.25 mV	Voltage (V)	HEX
0	1	0	1	0	1	1	0	1.07500	56
0	1	0	1	0	1	1	1	1.06875	57
0	1	0	1	1	0	0	0	1.06250	58
0	1	0	1	1	0	0	1	1.05625	59
0	1	0	1	1	0	1	0	1.05000	5A
0	1	0	1	1	0	1	1	1.04375	5B
0	1	0	1	1	1	0	0	1.03750	5C
0	1	0	1	1	1	0	1	1.03125	5D
0	1	0	1	1	1	1	0	1.02500	5E
0	1	0	1	1	1	1	1	1.01875	5F
0	1	1	0	0	0	0	0	1.01250	60
0	1	1	0	0	0	0	1	1.00625	61
0	1	1	0	0	0	1	0	1.00000	62
0	1	1	0	0	0	1	1	0.99375	63
0	1	1	0	0	1	0	0	0.98750	64
0	1	1	0	0	1	0	1	0.98125	65
0	1	1	0	0	1	1	0	0.97500	66
0	1	1	0	0	1	1	1	0.96875	67
0	1	1	0	1	0	0	0	0.96250	68
0	1	1	0	1	0	0	1	0.95625	69
0	1	1	0	1	0	1	0	0.95000	6A
0	1	1	0	1	0	1	1	0.94375	6B
0	1	1	0	1	1	0	0	0.93750	6C
0	1	1	0	1	1	0	1	0.93125	6D
0	1	1	0	1	1	1	0	0.92500	6E
0	1	1	0	1	1	1	1	0.91875	6F
0	1	1	1	0	0	0	0	0.91250	70
0	1	1	1	0	0	0	1	0.90625	71
0	1	1	1	0	0	1	0	0.90000	72
0	1	1	1	0	0	1	1	0.89375	73
0	1	1	1	0	1	0	0	0.88750	74
0	1	1	1	0	1	0	1	0.88125	75
0	1	1	1	0	1	1	0	0.87500	76
0	1	1	1	0	1	1	1	0.86875	77
0	1	1	1	1	0	0	0	0.86250	78
0	1	1	1	1	0	0	1	0.85625	79
0	1	1	1	1	0	1	0	0.85000	7A
0	1	1	1	1	0	1	1	0.84375	7B
0	1	1	1	1	1	0	0	0.83750	7C
0	1	1	1	1	1	0	1	0.83125	7D
0	1	1	1	1	1	1	0	0.82500	7E
0	1	1	1	1	1	1	1	0.81875	7F
1	0	0	0	0	0	0	0	0.81250	80

# NCP5378

**Table 2. VRM11 VID Codes**

VID7 800 mV	VID6 400 mV	VID5 200 mV	VID4 100 mV	VID3 50 mV	VID2 25 mV	VID1 12.5 mV	VID0 6.25 mV	Voltage (V)	HEX
1	0	0	0	0	0	0	1	0.80625	81
1	0	0	0	0	0	1	0	0.80000	82
1	0	0	0	0	0	1	1	0.79375	83
1	0	0	0	0	1	0	0	0.78750	84
1	0	0	0	0	1	0	1	0.78125	85
1	0	0	0	0	1	1	0	0.77500	86
1	0	0	0	0	1	1	1	0.76875	87
1	0	0	0	1	0	0	0	0.76250	88
1	0	0	0	1	0	0	1	0.75625	89
1	0	0	0	1	0	1	0	0.75000	8A
1	0	0	0	1	0	1	1	0.74375	8B
1	0	0	0	1	1	0	0	0.73750	8C
1	0	0	0	1	1	0	1	0.73125	8D
1	0	0	0	1	1	1	0	0.72500	8E
1	0	0	0	1	1	1	1	0.71875	8F
1	0	0	1	0	0	0	0	0.71250	90
1	0	0	1	0	0	0	1	0.70625	91
1	0	0	1	0	0	1	0	0.70000	92
1	0	0	1	0	0	1	1	0.69375	93
1	0	0	1	0	1	0	0	0.68750	94
1	0	0	1	0	1	0	1	0.68125	95
1	0	0	1	0	1	1	0	0.67500	96
1	0	0	1	0	1	1	1	0.66875	97
1	0	0	1	1	0	0	0	0.66250	98
1	0	0	1	1	0	0	1	0.65625	99
1	0	0	1	1	0	1	0	0.65000	9A
1	0	0	1	1	0	1	1	0.64375	9B
1	0	0	1	1	1	0	0	0.63750	9C
1	0	0	1	1	1	0	1	0.63125	9D
1	0	0	1	1	1	1	0	0.62500	9E
1	0	0	1	1	1	1	1	0.61875	9F
1	0	1	0	0	0	0	0	0.61250	A0
1	0	1	0	0	0	0	1	0.60625	A1
1	0	1	0	0	0	1	0	0.60000	A2
1	0	1	0	0	0	1	1	0.59375	A3
1	0	1	0	0	1	0	0	0.58750	A4
1	0	1	0	0	1	0	1	0.58125	A5
1	0	1	0	0	1	1	0	0.57500	A6
1	0	1	0	0	1	1	1	0.56875	A7
1	0	1	0	1	0	0	0	0.56250	A8
1	0	1	0	1	0	0	1	0.55625	A9
1	0	1	0	1	0	1	0	0.55000	AA
1	0	1	0	1	0	1	1	0.54375	AB



# NCP5378

Table 2. VRM11 VID Codes

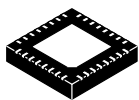
VID7 800 mV	VID6 400 mV	VID5 200 mV	VID4 100 mV	VID3 50 mV	VID2 25 mV	VID1 12.5 mV	VID0 6.25 mV	Voltage (V)	HEX
1	0	1	0	1	1	0	0	0.53750	AC
1	0	1	0	1	1	0	1	0.53125	AD
1	0	1	0	1	1	1	0	0.52500	AE
1	0	1	0	1	1	1	1	0.51875	AF
1	0	1	1	0	0	0	0	0.51250	B0
1	0	1	1	0	0	0	1	0.50625	B1
1	0	1	1	0	0	1	0	0.50000	B2
1	1	1	1	1	1	1	0	OFF	FE
1	1	1	1	1	1	1	1	OFF	FF

5. NOTE: Internal DAC voltage is centered 19 mV below the listed voltage for VR11.1.

# MECHANICAL CASE OUTLINE

## PACKAGE DIMENSIONS

ON Semiconductor®

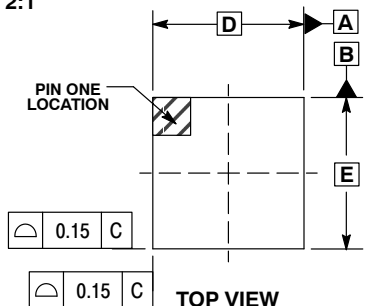


1 32

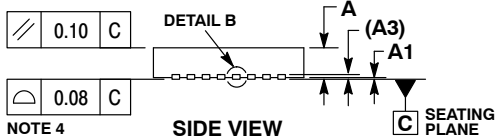
SCALE 2:1

QFN32 5x5, 0.5P  
CASE 488AM  
ISSUE A

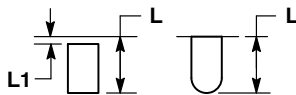
DATE 23 OCT 2013



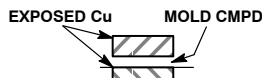
TOP VIEW



SIDE VIEW



DETAIL A  
ALTERNATE TERMINAL  
CONSTRUCTIONS



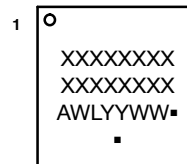
DETAIL B  
ALTERNATE  
CONSTRUCTION

NOTES:

1. DIMENSIONS AND TOLERANCING PER ASME Y14.5M, 1994.
2. CONTROLLING DIMENSION: MILLIMETERS.
3. DIMENSION b APPLIES TO PLATED TERMINAL AND IS MEASURED BETWEEN 0.15 AND 0.30MM FROM THE TERMINAL TIP. COPLANARITY APPLIES TO THE EXPOSED PAD AS WELL AS THE TERMINALS.
4. COPLANARITY APPLIES TO THE EXPOSED PAD AS WELL AS THE TERMINALS.

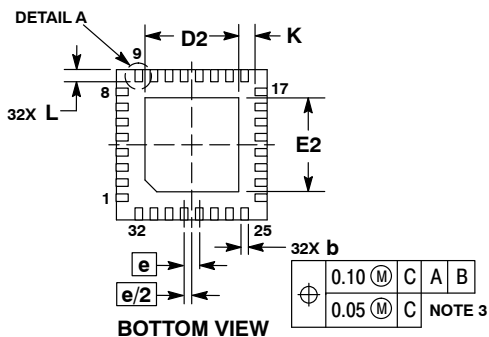
MILLIMETERS		
DIM	MIN	MAX
A	0.80	1.00
A1	---	0.05
A3	0.20	REF
b	0.18	0.30
D	5.00	BSC
D2	2.95	3.25
E	5.00	BSC
E2	2.95	3.25
e	0.50	BSC
K	0.20	---
L	0.30	0.50
L1	---	0.15

GENERIC MARKING DIAGRAM\*



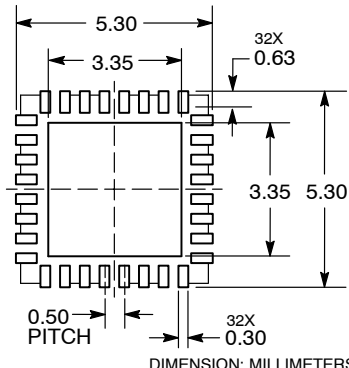
- XXXXX = Specific Device Code
- A = Assembly Location
- WL = Wafer Lot
- YY = Year
- WW = Work Week
- = Pb-Free Package

(Note: Microdot may be in either location)  
\*This information is generic. Please refer to device data sheet for actual part marking.  
Pb-Free indicator, "G" or microdot "▪", may or may not be present.



BOTTOM VIEW

RECOMMENDED SOLDERING FOOTPRINT\*



DIMENSION: MILLIMETERS

\*For additional information on our Pb-Free strategy and soldering details, please download the ON Semiconductor Soldering and Mounting Techniques Reference Manual, SOLDERRM/D.

DOCUMENT NUMBER:	98AON20032D	Electronic versions are uncontrolled except when accessed directly from the Document Repository. Printed versions are uncontrolled except when stamped "CONTROLLED COPY" in red.
DESCRIPTION:	QFN32 5x5 0.5P	PAGE 1 OF 1

ON Semiconductor and ON are trademarks of Semiconductor Components Industries, LLC dba ON Semiconductor or its subsidiaries in the United States and/or other countries. ON Semiconductor reserves the right to make changes without further notice to any products herein. ON Semiconductor makes no warranty, representation or guarantee regarding the suitability of its products for any particular purpose, nor does ON Semiconductor assume any liability arising out of the application or use of any product or circuit, and specifically disclaims any and all liability, including without limitation special, consequential or incidental damages. ON Semiconductor does not convey any license under its patent rights nor the rights of others.

**onsemi**, **Onsemi**, and other names, marks, and brands are registered and/or common law trademarks of Semiconductor Components Industries, LLC dba "**onsemi**" or its affiliates and/or subsidiaries in the United States and/or other countries. **onsemi** owns the rights to a number of patents, trademarks, copyrights, trade secrets, and other intellectual property. A listing of **onsemi**'s product/patent coverage may be accessed at [www.onsemi.com/site/pdf/Patent-Marking.pdf](http://www.onsemi.com/site/pdf/Patent-Marking.pdf). **onsemi** reserves the right to make changes at any time to any products or information herein, without notice. The information herein is provided "as-is" and **onsemi** makes no warranty, representation or guarantee regarding the accuracy of the information, product features, availability, functionality, or suitability of its products for any particular purpose, nor does **onsemi** assume any liability arising out of the application or use of any product or circuit, and specifically disclaims any and all liability, including without limitation special, consequential or incidental damages. Buyer is responsible for its products and applications using **onsemi** products, including compliance with all laws, regulations and safety requirements or standards, regardless of any support or applications information provided by **onsemi**. "Typical" parameters which may be provided in **onsemi** data sheets and/or specifications can and do vary in different applications and actual performance may vary over time. All operating parameters, including "Typicals" must be validated for each customer application by customer's technical experts. **onsemi** does not convey any license under any of its intellectual property rights nor the rights of others. **onsemi** products are not designed, intended, or authorized for use as a critical component in life support systems or any FDA Class 3 medical devices or medical devices with a same or similar classification in a foreign jurisdiction or any devices intended for implantation in the human body. Should Buyer purchase or use **onsemi** products for any such unintended or unauthorized application, Buyer shall indemnify and hold **onsemi** and its officers, employees, subsidiaries, affiliates, and distributors harmless against all claims, costs, damages, and expenses, and reasonable attorney fees arising out of, directly or indirectly, any claim of personal injury or death associated with such unintended or unauthorized use, even if such claim alleges that **onsemi** was negligent regarding the design or manufacture of the part. **onsemi** is an Equal Opportunity/Affirmative Action Employer. This literature is subject to all applicable copyright laws and is not for resale in any manner.

## ADDITIONAL INFORMATION

### TECHNICAL PUBLICATIONS:

Technical Library: [www.onsemi.com/design/resources/technical-documentation](http://www.onsemi.com/design/resources/technical-documentation)  
onsemi Website: [www.onsemi.com](http://www.onsemi.com)

### ONLINE SUPPORT: [www.onsemi.com/support](http://www.onsemi.com/support)

For additional information, please contact your local Sales Representative at [www.onsemi.com/support/sales](http://www.onsemi.com/support/sales)