

NCN2612B

6-Channel Differential 1:2 Switch for PCIe 2.0 and Display Port 1.1

The NCN2612B is a 6-Channel differential SPDT switch designed to route PCI Express Gen2 and/or DisplayPort 1.1a signals. Due to the ultra-low ON-state capacitance (2.1 pF typ) and resistance (8 Ω typ), this switch is ideal for switching high frequency signals up to a signal bit rate (BR) of 5 Gbps. This switch pinout is designed to be used in BTX form factor desktop PCs and is available in a space-saving 5x11x0.75 mm WQFN56 package. The NCN2612B uses 80% less quiescent power than other comparable PCIe switches.

Features

- BTX Pinout
- V_{DD} Power Supply from 3 V to 3.6 V
- Low Supply Current: 250 μA typ
- 6 Differential Channels, 2:1 MUX/DEMUX
- Compatible with Display Port 1.1a & PCIe 2.0
- Data Rate: Supports 5 Gbps
- Low R_{ON} Resistance: 8 Ω typ
- Low C_{ON} Capacitance: 2.1 pF
- Space Saving, Small WQFN-56 Package
- This is a Pb-Free Device

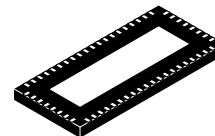
Typical Applications

- Notebook Computers
- Desktop Computers
- Server/Storage Networks



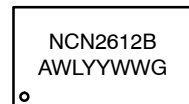
ON Semiconductor®

<http://onsemi.com>



WQFN56
CASE 510AK

MARKING DIAGRAM



1

- A = Assembly Location
- WL = Wafer Lot
- YY = Year
- WW = Work Week
- G = Pb-Free Package

ORDERING INFORMATION

Device	Package	Shipping [†]
NCN2612BMTTWG	WQFN56 (Pb-Free)	2000 / Tape & Reel

[†]For information on tape and reel specifications, including part orientation and tape sizes, please refer to our Tape and Reel Packaging Specifications Brochure, BRD8011/D.

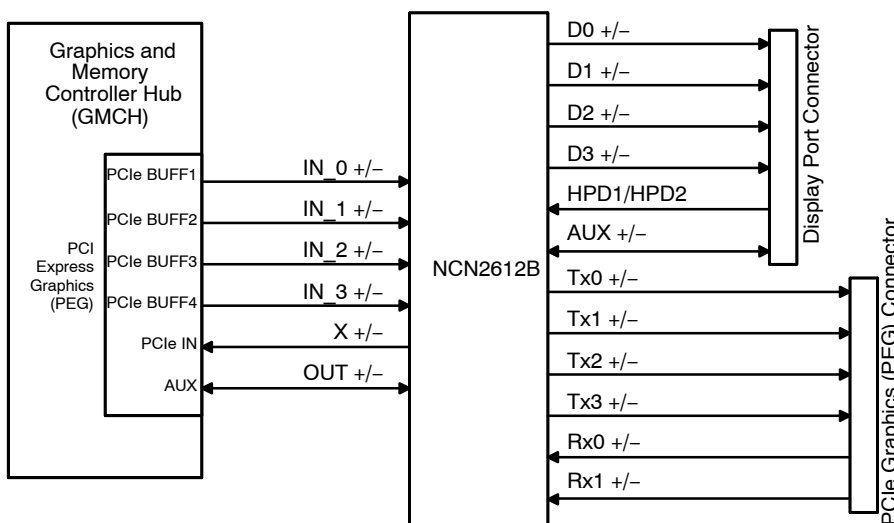


Figure 1. Application Schematic

NCN2612B

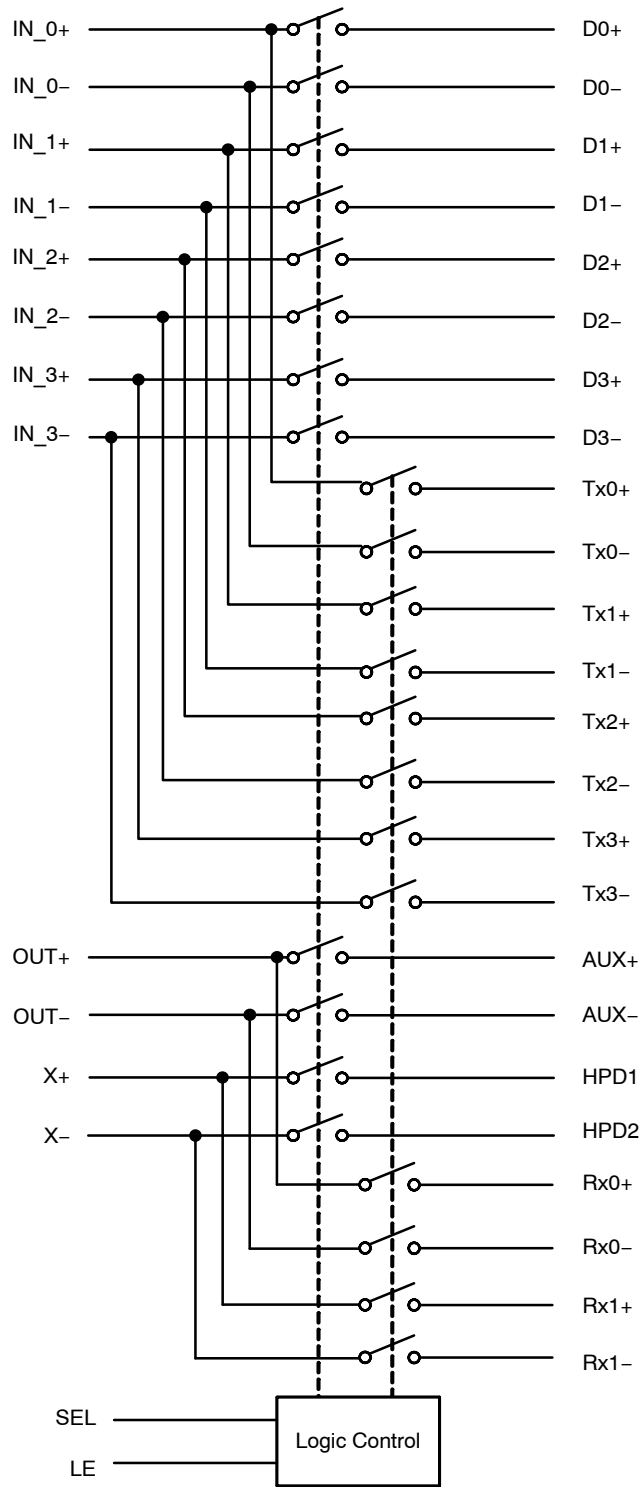


Figure 2. NCN2612B Block Diagram

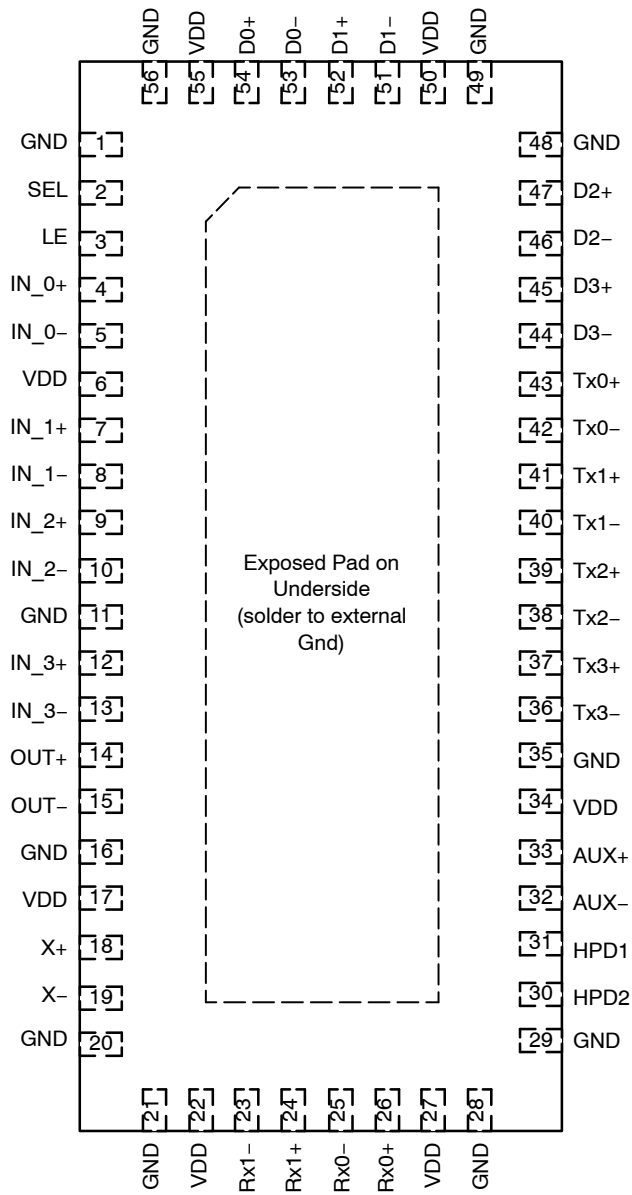
TRUTH TABLE (SEL Control)

Function	SEL
PCI Express Gen2 Path is Active (Tx, Rx)	L
Digital Video Port is Active (D, HPD, AUX)	H

TRUTH TABLE (Latch Control)

LE	Internal Mux Select
L	Respond to Changes on SEL
H	Latched

NCN2612B



**Figure 3. Pinout
(Top View)**

NCN2612B

PIN FUNCTION AND DESCRIPTION

Pin	Name	Description
6, 17, 22, 27, 34,50, 55	VDD	DC Supply, 3.3 V \pm 10%
1, 11, 16, 20, 21, 28, 29, 35, 48, 49, 56	GND	Power Ground.
Exposed Pad	-	The exposed pad on the backside of package is internally connected to Gnd. Externally the exposed pad should also be user-connected to GND.
2	SEL	SEL controls the mux through a flow-through latch. Do not float this pin. SEL = 0 for PCIE Mode; SEL = 1 for DP Mode
3	LE	LE controls the latch gate. Do not float this pin.
4	IN_0+	Differential input from GMCH PCIE outputs. IN_0+ makes a differential pair with IN_0-.
5	IN_0-	Differential input from GMCH PCIE outputs. IN_0- makes a differential pair with IN_0+.
7	IN_1+	Differential input from GMCH PCIE outputs. IN_1+ makes a differential pair with IN_1-.
8	IN_1-	Differential input from GMCH PCIE outputs. IN_1- makes a differential pair with IN_1+.
9	IN_2+	Differential input from GMCH PCIE outputs. IN_2+ makes a differential pair with IN_2-.
10	IN_2-	Differential input from GMCH PCIE outputs. IN_2- makes a differential pair with IN_2+.
12	IN_3+	Differential input from GMCH PCIE outputs. IN_3+ makes a differential pair with IN_3-.
13	IN_3-	Differential input from GMCH PCIE outputs. IN_3- makes a differential pair with IN_3+.
14	OUT+	Pass-through output from AUX+ input when SEL = 1. Pass-through output from Rx0+ input when SEL = 0.
15	OUT-	Pass-through output from AUX- input when SEL = 1. Pass-through output from Rx0- input when SEL = 0.
18	X+	X+ is an analog pass-through output corresponding to Rx1+.
19	X-	X- is an analog pass-through output corresponding to the Rx1- input. The path from Rx1- to X- must be matched with the path from Rx1+ to X+. X+ and X- form a differential pair when the pass-through mux mode is selected.
23	Rx1-	Differential input from PCIE connector or device. Rx1- makes a differential pair with Rx1+. Rx1- is passed through to the X- pin on the path that matches the Rx1+ to X+ pin.
24	Rx1+	Differential input from PCIE connector or device. Rx1+ makes a differential pair with Rx1-. Rx1+ is passed through to the X+ pin when SEL = 0.
25	Rx0-	Differential input from PCIE connector or device. Rx0- makes a differential pair with Rx0+. Rx0- is passed through to the OUT- pin when SEL = 0.
26	Rx0+	Differential input from PCIE connector or device. Rx0+ makes a differential pair with Rx0-. Rx0+ is passed through to the OUT+ pin when SEL = 0.
30	HPD2	Negative low frequency HPD input handshake protocol signal (normally not connected).
31	HPD1	Positive low frequency HPD input handshake protocol signal.
32	AUX-	Differential input from HDMI/DP connector. AUX- makes a differential pair with AUX+. AUX- is passed through to the OUT- pin when SEL = 1.
33	AUX+	Differential input from HDMI/DP connector. AUX+ makes a differential pair with AUX-. AUX+ is passed through to the OUT+ pin when SEL = 1.
37, 36	Tx3+, Tx3-	Analog pass-through output#2 corresponding to IN_3+ and IN_3- when SEL = 0.
39, 38	Tx2+, Tx2-	Analog pass-through output#2 corresponding to IN_2+ and IN_2- when SEL = 0.
41, 40	Tx1+, Tx1-	Analog pass-through output#2 corresponding to IN_1+ and IN_1- when SEL = 0.
43, 42	Tx0+, Tx0-	Analog pass-through output#2 corresponding to IN_0+ and IN_0- when SEL = 0.
45, 44	D3+, D3-	Analog pass-through output#1 corresponding to IN_3+ and IN_3-, when SEL = 1.
47, 46	D2+, D2-	Analog pass-through output#1 corresponding to IN_2+ and IN_2-, when SEL = 1.
52, 51	D1+, D1-	Analog pass-through output#1 corresponding to IN_1+ and IN_1-, when SEL = 1.
54, 53	D0+, D0-	Analog pass-through output#1 corresponding to IN_0+ and IN_0-, when SEL = 1.

NCN2612B

MAXIMUM RATINGS

Parameter	Symbol	Rating	Unit
Power Supply Voltage	V_{DD}	-0.5 to 5.3	V_{DC}
Input/Output Voltage Range of the Switch (Tx, Rx, D, HPD, AUX, IN_, OUT, X)	V_{IS}	-0.5 to $V_{DD} + 0.3$	V_{DC}
Selection Pin Voltages (SEL and LE)	V_{IN}	-0.5 to $V_{DD} + 0.3$	V_{DC}
Continuous Current Through One Switch Channel	I_{IS}	± 120	mA
Maximum Junction Temperature (Note 1)	T_J	150	$^{\circ}C$
Operating Ambient Temperature	T_A	-40 to +85	$^{\circ}C$
Storage Temperature Range	T_{stg}	-65 to +150	$^{\circ}C$
Thermal Resistance, Junction-to-Air (Note 2)	$R_{\theta JA}$	37	$^{\circ}C/W$
Latch-up Current (Note 3)	I_{LU}	± 100	mA
Human Body Model (HBM) ESD Rating (Note 4)	ESD HBM	7000	V
Machine Model (MM) ESD Rating (Note 4)	ESD MM	400	V
Moisture Sensitivity (Note 5)	MSL	Level 1	-

Stresses exceeding Maximum Ratings may damage the device. Maximum Ratings are stress ratings only. Functional operation above the Recommended Operating Conditions is not implied. Extended exposure to stresses above the Recommended Operating Conditions may affect device reliability.

1. Power dissipation must be considered to ensure maximum junction temperature (T_J) is not exceeded.
2. This parameter is based on EIA/JEDEC 51-7 with a 4-layer PCB, 80 mm x 80 mm, two 1oz Cu material internal planes and top planes of 2oz Cu material.
3. Latch up Current Maximum Rating: ± 100 mA per JEDEC standard: JESD78.
4. This device series contains ESD protection and passes the following tests:
 Human Body Model (HBM) ± 7.0 kV per JEDEC standard: JESD22-A114 for all pins.
 Machine Model (MM) ± 400 V per JEDEC standard: JESD22-A115 for all pins.
5. Moisture Sensitivity Level (MSL): 1 per IPC/JEDEC standard: J-STD-020A.

NCN2612B

ELECTRICAL CHARACTERISTICS ($V_{DD} = +3.3V \pm 10\%$, $T_A = -40^\circ C$ to $+85^\circ C$, unless otherwise noted. All Typical values are at $V_{DD} = +3.3 V$, $T_A = +25^\circ C$, unless otherwise noted.)

Symbol	Characteristics	Conditions	Min	Typ	Max	Unit
--------	-----------------	------------	-----	-----	-----	------

POWER SUPPLY

V_{DD}	Supply Voltage Range		3.0	3.3	3.6	V
I_{DD}	Power Supply Current	$V_{DD} = 3.6 V, V_{IN} = GND$ or V_{DD}		250	350	μA

DATA SWITCH PERFORMANCE (for both PCIe and Display Port applications, unless otherwise noted)

V_{IS}	Data Input/Output Voltage Range		0		1.2	V
R_{ON}	On Resistance (Tx, Rx)	$V_{DD} = 3 V, V_{IS} = 0 V$ to $1.2 V, I_{IS} = 15 mA$		8.0	13	Ω
R_{ON}	On Resistance (D, HPD, AUX)	$V_{DD} = 3 V, V_{IS} = 0 V$ to $1.2 V, I_{IS} = 15 mA$		9.0	13	Ω
$R_{ON(Flat)}$	On Resistance Flatness	$V_{DD} = 3 V, V_{IS} = 0 V$ to $1.2 V, I_{IS} = 15 mA$ (Note 6)		0.1	1.24	Ω
ΔR_{ON}	On Resistance Matching (Tx, Rx)	$V_{DD} = 3 V, V_{IS} = 0 V, I_{IS} = 15 mA$		0.35		Ω
ΔR_{ON}	On Resistance Matching (D, HPD, AUX)	$V_{DD} = 3 V, V_{IS} = 0 V, I_{IS} = 15 mA$		0.35		Ω
C_{ON}	On Capacitance	$f = 1 MHz$, Switch On, Open Output		2.1		pF
C_{OFF}	Off Capacitance	$f = 1 MHz$, Switch Off		1.6		pF
I_{ON}	On Leakage Current (IN_/X/OUT)	$V_{DD} = 3.6 V, V_{IN} = V_X = V_{OUT} = 0 V, 1.2 V$; Switch On to D/HPD/AUX or Tx/Rx; outputs unconnected	-1		+1	μA
I_{OFF}	Off Leakage Current (D/Tx/HPD/Rx/AUX)	$V_{DD} = 3.6 V, V_{IN} = V_X = V_{OUT} = 0 V, 1.2 V$; Switch Off; $V_D = V_{HPD} = V_{AUX}$ or $V_D = V_{HPD} = V_{AUX}$ set to $1.2 V, 0 V$	-1		+1	μA

CONTROL LOGIC CHARACTERISTICS (SEL and LE pins)

V_{IL}	Off voltage input		0		0.8	V
V_{IH}	High voltage input		2		V_{DD}	V
I_{IN}	Off voltage input	$V_{IN} = 0 V$ or V_{DD}	-1		+1	μA
C_{IN}	High voltage input	$f = 1 MHz$		1		pF

DYNAMIC CHARACTERISTICS

BR	Signal Data Rate			5		Gbps
D_{IL}	Differential Insertion Loss	$f = 100 MHz$		-0.7		dB
		$f = 1.35 GHz$		-1.3		
		$f = 2.5 GHz$		-1.9		
		$f = 3.0 GHz$		-1.9		
D_{ISO}	Differential Off Isolation	$f = 100 MHz$		-54		dB
		$f = 1.35 GHz$		-30		
		$f = 2.5 GHz$		-24		
		$f = 3.0 GHz$		-22		
		$f = 5.0 GHz$		-17		
D_{CTK}	Differential Crosstalk	$f = 100 MHz$		-50		dB
		$f = 1.35 GHz$		-32		
		$f = 2.5 GHz$		-27		
		$f = 3.0 GHz$		-25		
		$f = 5.0 GHz$		-25		
D_{RL}	Differential Return Loss	$f = 100 MHz$		-20		dB
		$f = 1.35 GHz$		-14		
		$f = 2.5 GHz$		-10		
		$f = 3.0 GHz$		-6		

6. Guaranteed by characterization and/or design.

NCN2612B

SWITCHING CHARACTERISTICS ($V_{DD} = +3.3\text{ V}$, $T_A = 25^\circ\text{C}$, unless otherwise specified)

Symbol	Characteristics	Conditions	Min	Typ	Max	Unit
t_{b-b}	Bit-to-bit skew	Within the same differential pair		7		ps
t_{ch-ch}	Channel-to-channel skew	Maximum skew between all channels		55		ps

SELECTION PINS SWITCHING CHARACTERISTICS ($V_{DD} = +3.3\text{ V}$, $T_A = 25^\circ\text{C}$, unless otherwise specified)

Symbol	Characteristics	Conditions	Min	Typ	Max	Unit
$T_{SELO\text{N}}$	SEL to Switch turn ON time	$V_{IS} = 1\text{ V}$, $R_L = 50\ \Omega$, $V_{LE} = V_{DD}$, $C_L = 100\text{ pF}$		9.5		ns
$T_{SELO\text{F\text{F}}}$	SEL to Switch turn OFF time	$V_{IS} = 1\text{ V}$, $R_L = 50\ \Omega$, $V_{LE} = V_{DD}$, $C_L = 100\text{ pF}$		5		ns
$T_{SE\text{T}}$	LE setup time SEL to LE	$V_{IS} = 1\text{ V}$, $R_L = 50\ \Omega$, $V_{LE} = V_{DD}$, $C_L = 100\text{ pF}$		1		ns
$T_{SE\text{HOLD}}$	LE hold time LE to SEL	$V_{IS} = 1\text{ V}$, $R_L = 50\ \Omega$, $V_{LE} = V_{DD}$, $C_L = 100\text{ pF}$		1		ns

TYPICAL OPERATING CHARACTERISTICS

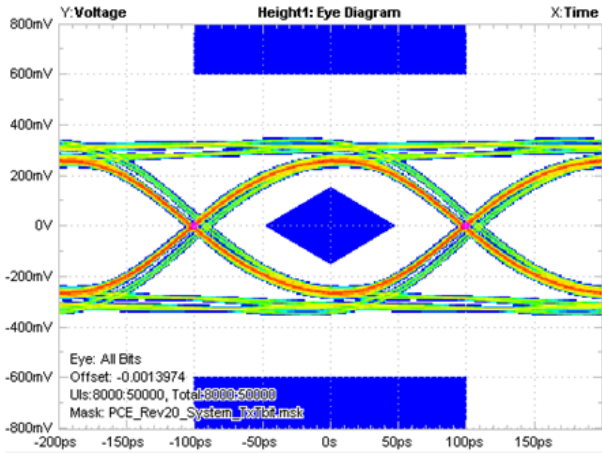


Figure 4. Eye Diagram for PCI Express at 5 Gbps, 800 mVpp Differential Swing (Minimum Case)

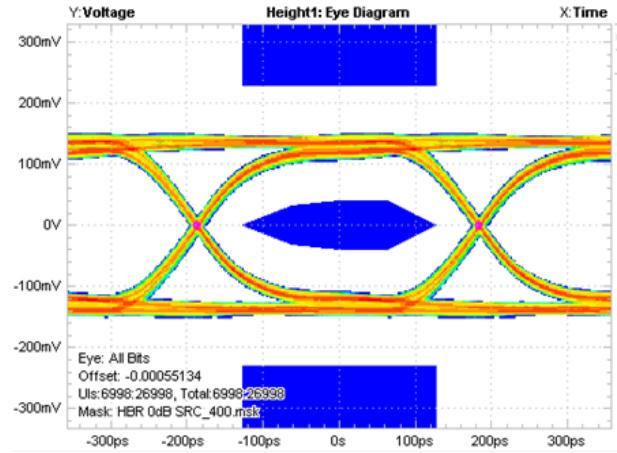


Figure 5. Eye Diagram for DisplayPort at 2.7 Gbps, 340 mVpp Differential Swing (Minimum Case)

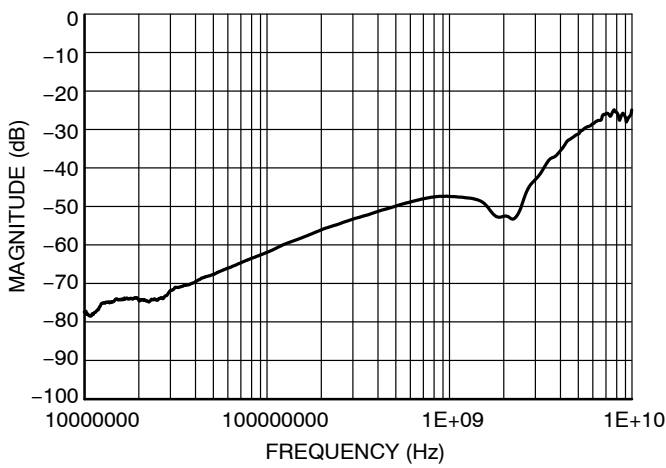


Figure 6. Differential Crosstalk

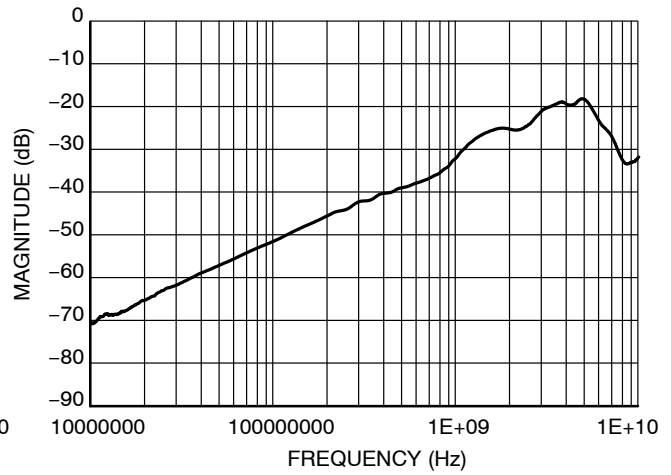


Figure 7. Differential Off Isolation

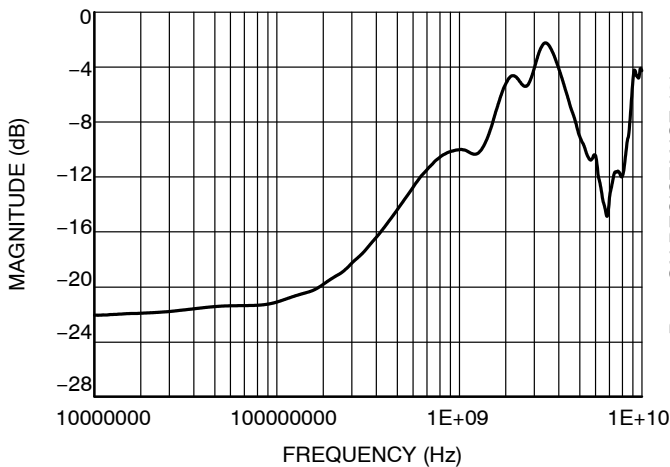


Figure 8. Differential Return Loss

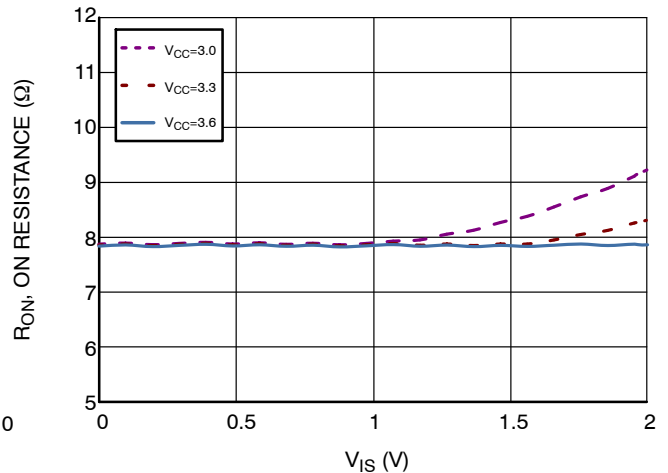


Figure 9. RON vs. VIS

PARAMETER MEASUREMENT INFORMATION

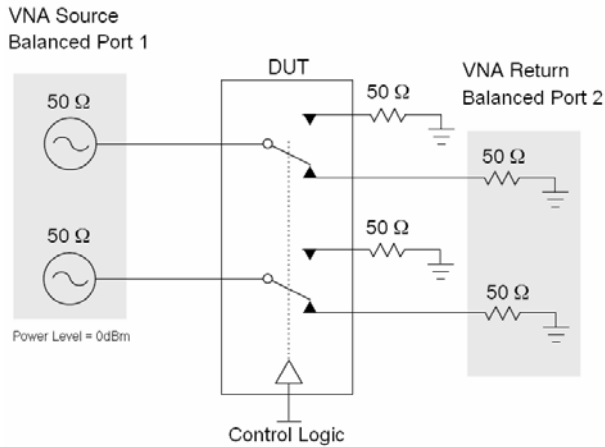


Figure 10. Differential Insertion Loss (S_{DD21}) and Differential Return Loss (S_{DD11})

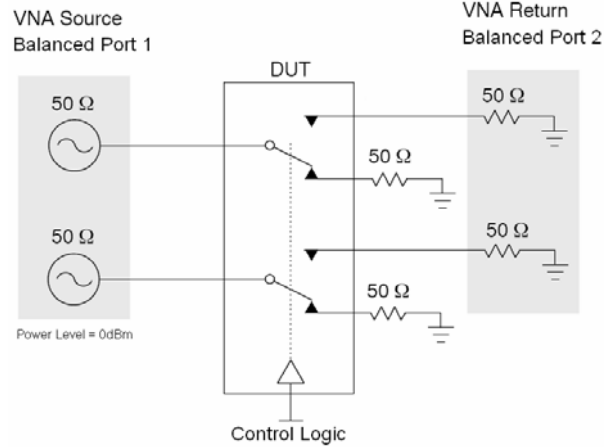


Figure 11. Differential Off Isolation (S_{DD21})

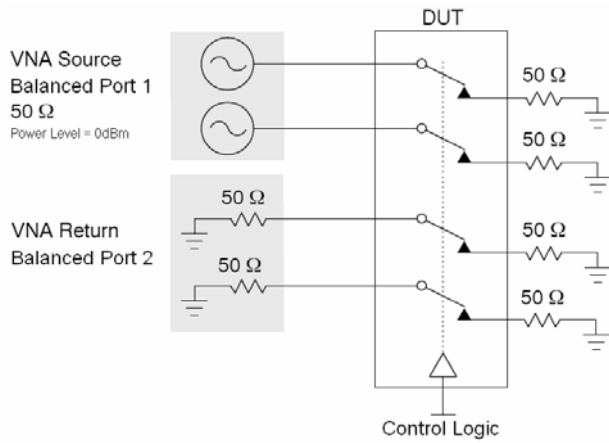


Figure 12. Differential Crosstalk (S_{DD21})

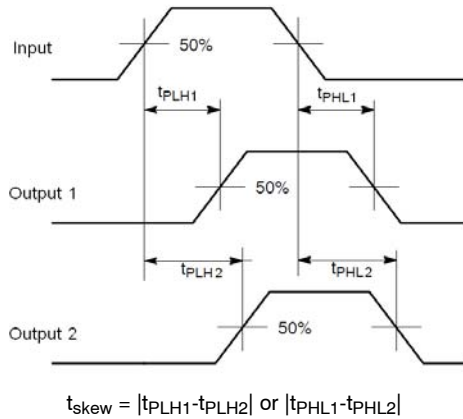


Figure 13. Bit-to-Bit and Channel-to-Channel Skew

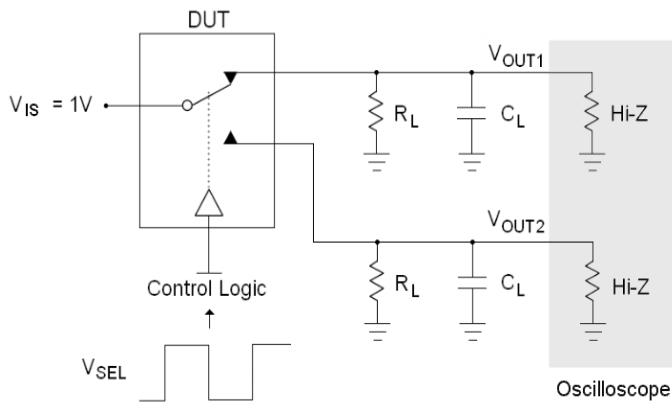


Figure 14. t_{ON} and t_{OFF}

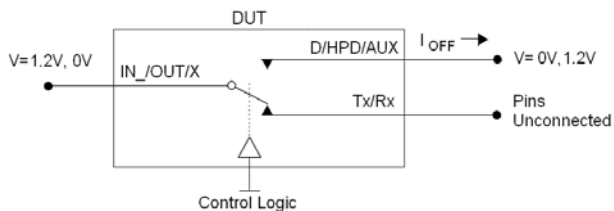
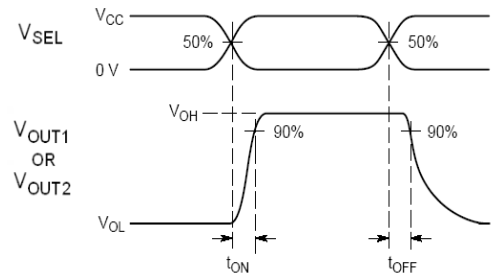


Figure 15. Off State Leakage

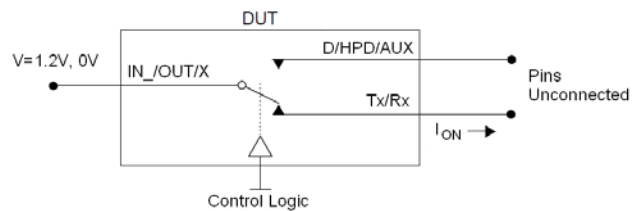


Figure 16. On State Leakage

MECHANICAL CASE OUTLINE

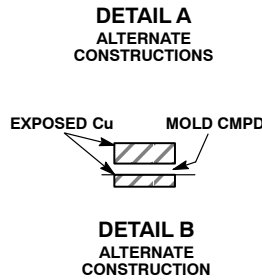
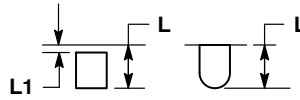
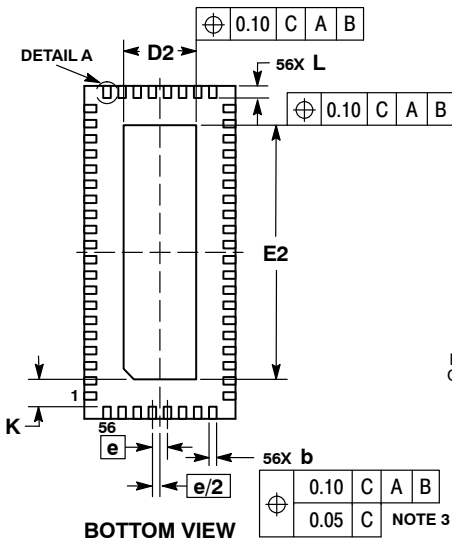
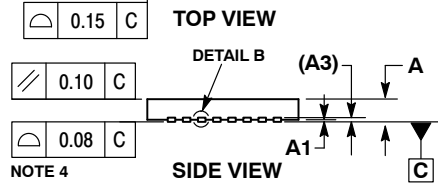
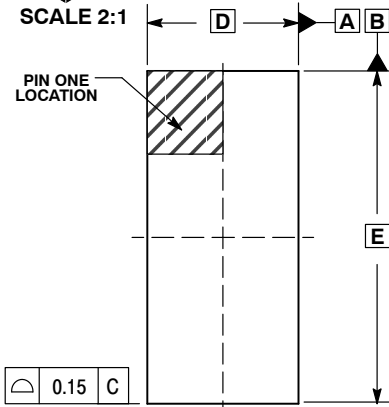
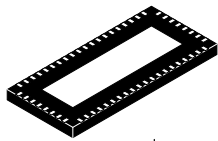
PACKAGE DIMENSIONS

ON Semiconductor®

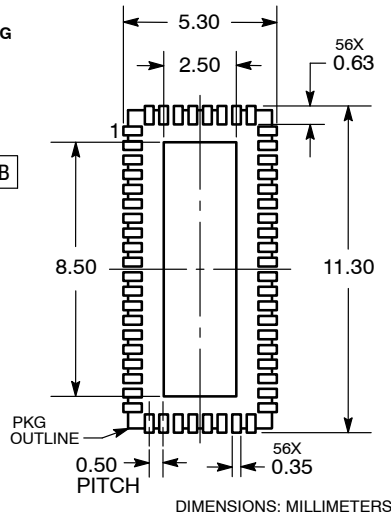


WQFN56 5x11, 0.5P
CASE 510AK-01
ISSUE A

DATE 02 MAR 2010



RECOMMENDED SOLDERING FOOTPRINT

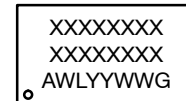


NOTES:

1. DIMENSIONING AND TOLERANCING PER ASME Y14.5M, 1994.
2. CONTROLLING DIMENSIONS: MILLIMETERS.
3. DIMENSION b APPLIES TO PLATED TERMINAL AND IS MEASURED BETWEEN 0.15 AND 0.30mm FROM THE TERMINAL TIP.
4. COPLANARITY APPLIES TO THE EXPOSED PAD AS WELL AS THE TERMINALS.

MILLIMETERS		
DIM	MIN	MAX
A	0.70	0.80
A1	---	0.05
A3	0.20	REF
b	0.20	0.30
D	5.00	BSC
D2	2.30	2.50
E	11.00	BSC
E2	8.30	8.50
e	0.50	BSC
K	0.20	MIN
L	0.30	0.50
L1	---	0.15

GENERIC MARKING DIAGRAM*



- XXXXX = Specific Device Code
- A = Assembly Location
- WL = Wafer Lot
- YY = Year
- WW = Work Week
- G = Pb-Free Package

*This information is generic. Please refer to device data sheet for actual part marking. Pb-Free indicator, "G", may or not be present.

DOCUMENT NUMBER:	98AON45390E	Electronic versions are uncontrolled except when accessed directly from the Document Repository. Printed versions are uncontrolled except when stamped "CONTROLLED COPY" in red.
DESCRIPTION:	WQFN56 5x11, 0.5P	PAGE 1 OF 1

ON Semiconductor and are trademarks of Semiconductor Components Industries, LLC dba ON Semiconductor or its subsidiaries in the United States and/or other countries. ON Semiconductor reserves the right to make changes without further notice to any products herein. ON Semiconductor makes no warranty, representation or guarantee regarding the suitability of its products for any particular purpose, nor does ON Semiconductor assume any liability arising out of the application or use of any product or circuit, and specifically disclaims any and all liability, including without limitation special, consequential or incidental damages. ON Semiconductor does not convey any license under its patent rights nor the rights of others.

onsemi, **Onsemi**, and other names, marks, and brands are registered and/or common law trademarks of Semiconductor Components Industries, LLC dba "**onsemi**" or its affiliates and/or subsidiaries in the United States and/or other countries. **onsemi** owns the rights to a number of patents, trademarks, copyrights, trade secrets, and other intellectual property. A listing of **onsemi**'s product/patent coverage may be accessed at www.onsemi.com/site/pdf/Patent-Marking.pdf. **onsemi** reserves the right to make changes at any time to any products or information herein, without notice. The information herein is provided "as-is" and **onsemi** makes no warranty, representation or guarantee regarding the accuracy of the information, product features, availability, functionality, or suitability of its products for any particular purpose, nor does **onsemi** assume any liability arising out of the application or use of any product or circuit, and specifically disclaims any and all liability, including without limitation special, consequential or incidental damages. Buyer is responsible for its products and applications using **onsemi** products, including compliance with all laws, regulations and safety requirements or standards, regardless of any support or applications information provided by **onsemi**. "Typical" parameters which may be provided in **onsemi** data sheets and/or specifications can and do vary in different applications and actual performance may vary over time. All operating parameters, including "Typicals" must be validated for each customer application by customer's technical experts. **onsemi** does not convey any license under any of its intellectual property rights nor the rights of others. **onsemi** products are not designed, intended, or authorized for use as a critical component in life support systems or any FDA Class 3 medical devices or medical devices with a same or similar classification in a foreign jurisdiction or any devices intended for implantation in the human body. Should Buyer purchase or use **onsemi** products for any such unintended or unauthorized application, Buyer shall indemnify and hold **onsemi** and its officers, employees, subsidiaries, affiliates, and distributors harmless against all claims, costs, damages, and expenses, and reasonable attorney fees arising out of, directly or indirectly, any claim of personal injury or death associated with such unintended or unauthorized use, even if such claim alleges that **onsemi** was negligent regarding the design or manufacture of the part. **onsemi** is an Equal Opportunity/Affirmative Action Employer. This literature is subject to all applicable copyright laws and is not for resale in any manner.

ADDITIONAL INFORMATION

TECHNICAL PUBLICATIONS:

Technical Library: www.onsemi.com/design/resources/technical-documentation
onsemi Website: www.onsemi.com

ONLINE SUPPORT: www.onsemi.com/support

For additional information, please contact your local Sales Representative at www.onsemi.com/support/sales

