

## 3.3 V ECL Programmable Delay Chip with FTUNE

### MC100EP196

The MC100EP196 is a programmable delay chip (PDC) designed primarily for clock deskewing and timing adjustment. It provides variable delay of a differential NECL/PECL input transition. It has similar architecture to the EP195 with the added feature of further tuneability in delay using the FTUNE pin. The FTUNE input takes an analog voltage from  $V_{CC}$  to  $V_{EE}$  to fine tune the output delay from 0 to 60 ps.

The delay section consists of a programmable matrix of gates and multiplexers as shown in the logic diagram, Figure 2. The delay increment of the EP196 has a digitally selectable resolution of about 10 ps and a net range of up to 10.2 ns. The required delay is selected by the 10 data select inputs D[9:0] values and controlled by the LEN (pin 10). A LOW level on LEN allows a transparent LOAD mode of real time delay values by D[9:0]. A LOW to HIGH transition on LEN will LOCK and HOLD current values present against any subsequent changes in D[10:0]. The approximate delay values for varying tap numbers correlating to D0 (LSB) through D9 (MSB) are shown in Table 5.

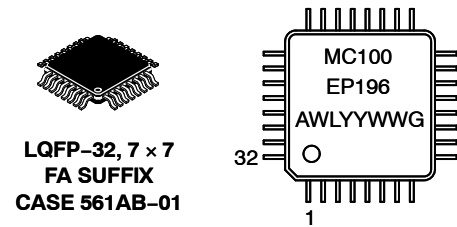
Because the EP196 is designed using a chain of multiplexers, it has a fixed minimum delay of 2.4 ns. An additional pin, D10, is provided for controlling Pins 14 and 15, CASCADE and  $\overline{CASCADE}$ , also latched by LEN, in cascading multiple PDCs for increased programmable range. The cascade logic allows full control of multiple PDCs. Switching devices from all “1” states on D[0:9] with SETMAX LOW to all “0” states on D[0:9] with SETMAX HIGH will increase the delay equivalent to “D0”, the minimum increment.

Select input pins, D[10:0], may be threshold controlled by combinations of interconnects between  $V_{EF}$  (pin 7) and  $V_{CF}$  (pin 8) for LVCMOS, ECL, or LVTTL level signals. LVTTL and LVCMOS operation is available in PECL mode only. For LVCMOS input levels, leave  $V_{CF}$  and  $V_{EF}$  open. For ECL operation, short  $V_{CF}$  and  $V_{EF}$  (pins 7 and 8). For LVTTL level operation, connect a 1.5 V supply reference to  $V_{CF}$  and leave open  $V_{EF}$  pin. The 1.5 V reference voltage to  $V_{CF}$  pin can be accomplished by placing a 2.2 k $\Omega$  resistor between  $V_{CF}$  and  $V_{EE}$  for 3.3 V power supply.

The  $V_{BB}$  pin, an internally generated voltage supply, is available to this device only. For single-ended input conditions, the unused differential input is connected to  $V_{BB}$  as a switching reference voltage.  $V_{BB}$  may also rebias AC coupled inputs. When used, decouple  $V_{BB}$  and  $V_{CC}$  via a 0.01  $\mu$ F capacitor and limit current sourcing or sinking to 0.5 mA. When not used,  $V_{BB}$  should be left open.

The 100 Series contains temperature compensation.

#### MARKING DIAGRAM\*



LQFP-32, 7 x 7  
FA SUFFIX  
CASE 561AB-01

A = Assembly Location  
WL = Wafer Lot  
YY = Year  
WW = Work Week  
G = Pb-Free Package

\*For additional marking information, refer to Application Note [AND8002/D](#).

- Maximum Frequency > 1.2 GHz Typical
- Programmable Range: 0 ns to 10 ns
- Delay Range: 2.4 ns to 12.4 ns
- 10 ps Increments
- PECL Mode Operating Range:  
 $V_{CC} = 3.0$  V to 3.6 V with  $V_{EE} = 0$  V
- NECL Mode Operating Range:  
 $V_{CC} = 0$  V with  $V_{EE} = -3.0$  V to  $-3.6$  V
- Open Input Default State
- Safety Clamp on Inputs
- A Logic High on the  $\overline{EN}$  Pin Will Force Q to Logic Low
- D[10:0] Can Accept Either ECL, LVCMOS, or LVTTL Inputs
- $V_{BB}$  Output Reference Voltage
- These are Pb-Free Devices\*

\*For additional information on our Pb-Free strategy and soldering details, please download the **onsemi** Soldering and Mounting Techniques Reference Manual, [SOLDERRM/D](#).

#### ORDERING INFORMATION

See detailed ordering and shipping information in the package dimensions section on page 17 of this data sheet.

# MC100EP196

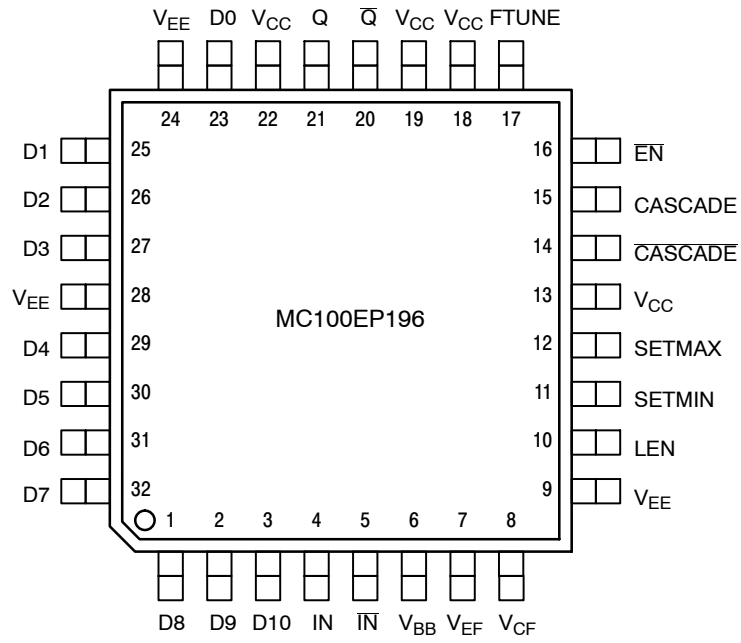


Figure 1. 32-Lead LQFP Pinout (Top View)

# MC100EP196

**Table 1. PIN DESCRIPTION**

Pin	Name	I/O	Default State	Description
23, 25, 26, 27, 29, 30, 31, 32, 1, 2	D[0:9]	LVC MOS, LV TTL, ECL Input	LOW	Single-ended Parallel Data Inputs [0:9]. Internal 75 k $\Omega$ to V <sub>EE</sub> . (Note 1)
3	D[10]	LVC MOS, LV TTL, ECL Input	LOW	Single-ended CASCADE/CASCADE Control Input. Internal 75 k $\Omega$ to V <sub>EE</sub> . (Note 1)
4	IN	ECL Input	LOW	Noninverted Differential Input. Internal 75 k $\Omega$ to V <sub>EE</sub> .
5	$\overline{\text{IN}}$	ECL Input	HIGH	Inverted Differential Input. Internal 75 k $\Omega$ to V <sub>EE</sub> .
6	V <sub>BB</sub>	-	-	ECL Reference Voltage Output
7	V <sub>EF</sub>	-	-	Reference Voltage for ECL Mode Connection
8	V <sub>CF</sub>	-	-	LVC MOS, ECL, OR LV TTL Input Mode Select
9, 28	V <sub>EE</sub>	-	-	Negative Supply Voltage. All V <sub>EE</sub> Pins must be Externally Connected to Power Supply to Guarantee Proper Operation. (Note 2)
13, 18, 19, 22	V <sub>CC</sub>	-	-	Positive Supply Voltage. All V <sub>CC</sub> Pins must be externally Connected to Power Supply to Guarantee Proper Operation. (Note 2)
10	LEN	ECL Input	LOW	Single-ended D pins LOAD / HOLD input. Internal 75 k $\Omega$ to V <sub>EE</sub> .
11	SETMIN	ECL Input	LOW	Single-ended Minimum Delay Set Logic Input. Internal 75 k $\Omega$ to V <sub>EE</sub> . (Note 1)
12	SETMAX	ECL Input	LOW	Single-ended Maximum Delay Set Logic Input. Internal 75 k $\Omega$ to V <sub>EE</sub> . (Note 1)
14	$\overline{\text{CASCADE}}$	ECL Output	-	Inverted Differential Cascade Output for D[10] Input. Typically Terminated with 50 $\Omega$ to V <sub>TT</sub> = V <sub>CC</sub> - 2 V.
15	CASCADE	ECL Output	-	Noninverted Differential Cascade Output for D[10] Input. Typically Terminated with 50 $\Omega$ to V <sub>TT</sub> = V <sub>CC</sub> - 2 V.
16	$\overline{\text{EN}}$	ECL Input	LOW	Single-ended Output Enable Pin. Internal 75 k $\Omega$ to V <sub>EE</sub> .
17	FTUNE	Analog Input	-	Fine Tuning Input.
21	Q	ECL Output	-	Noninverted Differential Output. Typically Terminated with 50 $\Omega$ to V <sub>TT</sub> = V <sub>CC</sub> - 2 V.
20	$\overline{\text{Q}}$	ECL Output	-	Inverted Differential Output. Typically Terminated with 50 $\Omega$ to V <sub>TT</sub> = V <sub>CC</sub> - 2 V.

1. SETMIN will override SETMAX if both are high. SETMAX and SETMIN will override all D[0:10] inputs.
2. All V<sub>CC</sub> and V<sub>EE</sub> pins must be externally connected to Power Supply to guarantee proper operation.

# MC100EP196

**Table 2. CONTROL PIN**

Pin	State	Function
EN	LOW (Note 3)	Input Signal is Propagated to the Output
	HIGH	Output Holds Logic Low State
LEN	LOW (Note 3)	Transparent or LOAD mode for real time delay values present on D[0:10].
	HIGH	LOCK and HOLD mode for delay values on D[0:10]; further changes on D[0:10] are not recognized and do not affect delay.
SETMIN	LOW (Note 3)	Output Delay set by D[0:10]
	HIGH	Set Minimum Output Delay
SETMAX	LOW (Note 3)	Output Delay set by D[0:10]
	HIGH	Set Maximum Output Delay
D10	LOW	CASCADE Output LOW, $\overline{\text{CASCADE}}$ Output HIGH
	HIGH	$\overline{\text{CASCADE}}$ Output LOW, CASCADE Output High

3. Internal pulldown resistor will provide a logic LOW if pin is left unconnected.

**Table 3. CONTROL D[0:10] INTERFACE**

Pin	State	Function
$V_{CF}$	$V_{EF}$ Pin (Note 4)	ECL Mode
$V_{CF}$	No Connect	LVC MOS Mode
$V_{CF}$	$1.5\text{ V} \pm 100\text{ mV}$	LVTTTL Mode (Note 5)

4. Short  $V_{CF}$  (pin 8) and  $V_{EF}$  (pin 7).

5. When Operating in LVTTTL Mode, the reference voltage can be provided by connecting an external resistor,  $R_{CF}$  (suggested resistor value is  $2.2\text{ k}\Omega \pm 5\%$ ), between  $V_{CF}$  and  $V_{EE}$  pins.

**Table 4. DATA INPUT ALLOWED OPERATING VOLTAGE MODE TABLE**

POWER SUPPLY	CONTROL DATA SELECT INPUTS PINS (D [0:10])			
	LVC MOS	LVTTTL	LVPECL	LVNECL
PECL Mode Operating Range	YES	YES	YES	N/A
NECL Mode Operating Range	N/A	N/A	N/A	YES

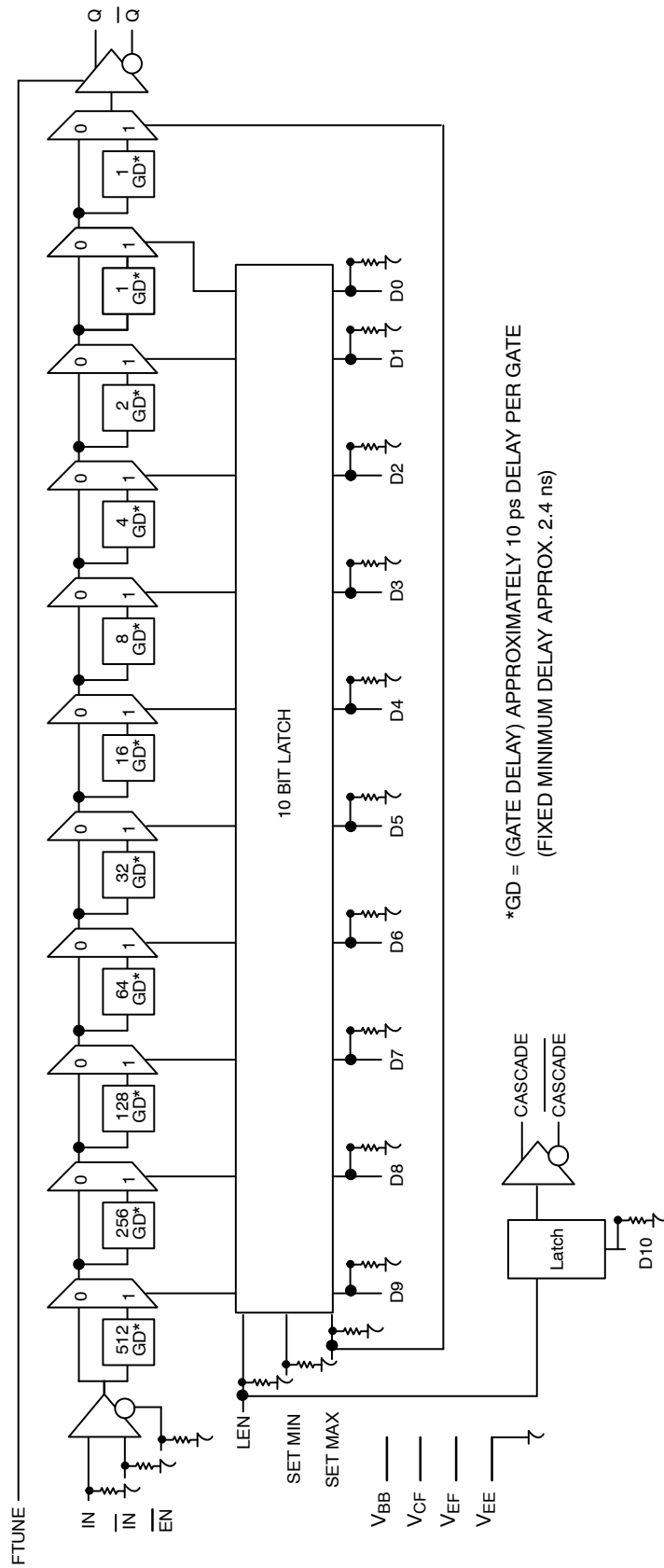


Figure 2. Logic Diagram

# MC100EP196

**Table 5. THEORETICAL DELTA DELAY VALUES**

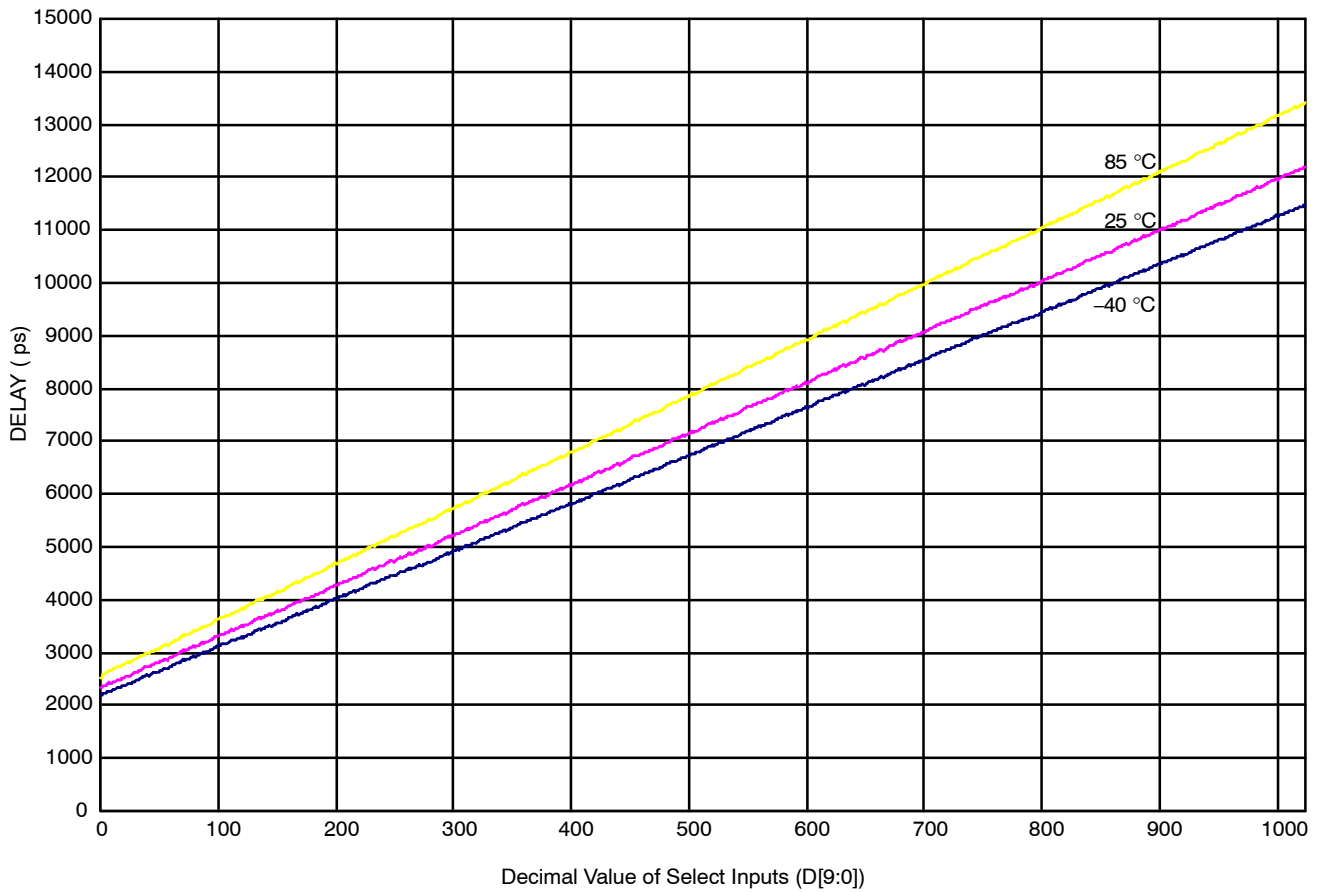
D(9:0) Value	SETMIN	SETMAX	Programmable Delay*
XXXXXXXXXX	H	L	0 ps
000000000	L	L	0 ps
000000001	L	L	10 ps
000000010	L	L	20 ps
000000011	L	L	30 ps
000000100	L	L	40 ps
000000101	L	L	50 ps
000000110	L	L	60 ps
000000111	L	L	70 ps
000001000	L	L	80 ps
000010000	L	L	160 ps
000100000	L	L	320 ps
001000000	L	L	640 ps
010000000	L	L	1280 ps
100000000	L	L	2560 ps
100000000	L	L	5120 ps
111111111	L	L	10230 ps
XXXXXXXXXX	L	H	10240 ps

\*Fixed minimum delay not included.

**Table 6. TYPICAL FTUNE DELAY PIN**

Input Range	Output Range
$V_{CC}-V_{EE}$ (V)	0 – 60 (ps)

# MC100EP196



**Figure 3. Measured Delay vs. Select Inputs**

**Table 7. ATTRIBUTES**

Characteristics		Value
Internal Input Pulldown Resistor		75 kΩ
Internal Input Pullup Resistor		N/A
ESD Protection	Human Body Model	> 2 kV
	Machine Model	> 100 V
	Charged Device Model	> 2 kV
Moisture Sensitivity, Indefinite Time Out of Drypack (Note 1)		Pb-Free Pkg
LQFP-32		Level 2
Flammability Rating Oxygen Index: 28 to 34		UL 94 V-0 @ 0.125 in
Transistor Count		1237 Devices
Meets or exceeds JEDEC Spec EIA/JESD78 IC Latchup Test		

1. For additional information, see Application Note AND8003/D.

# MC100EP196

**Table 8. MAXIMUM RATINGS**

Symbol	Parameter	Condition 1	Condition 2	Rating	Units
$V_{CC}$	PECL Mode Power Supply	$V_{EE} = 0\text{ V}$		6	V
$V_{EE}$	NECL Mode Power Supply	$V_{CC} = 0\text{ V}$		-6	V
$V_I$	PECL Mode Input Voltage	$V_{EE} = 0\text{ V}$	$V_I \leq V_{CC}$	6	V
	NECL Mode Input Voltage	$V_{CC} = 0\text{ V}$	$V_I \geq V_{EE}$	-6	V
$I_{out}$	Output Current	Continuous Surge		50	mA
				100	mA
$I_{BB}$	$V_{BB}$ Sink/Source			$\pm 0.5$	mA
$T_A$	Operating Temperature Range			-40 to +85	$^{\circ}\text{C}$
$T_{stg}$	Storage Temperature Range			-65 to +150	$^{\circ}\text{C}$
$\theta_{JA}$	Thermal Resistance (Junction-to-Ambient)	0 lfpm	LQFP-32	80	$^{\circ}\text{C}/\text{W}$
		500 lfpm	LQFP-32	55	$^{\circ}\text{C}/\text{W}$
$\theta_{JC}$	Thermal Resistance (Junction-to-Case)	Standard Board	LQFP-32	12 to 17	$^{\circ}\text{C}/\text{W}$
$T_{sol}$	Wave Solder                      Pb-Free			265	$^{\circ}\text{C}$

Stresses exceeding those listed in the Maximum Ratings table may damage the device. If any of these limits are exceeded, device functionality should not be assumed, damage may occur and reliability may be affected.



# MC100EP196

**Table 9. DC CHARACTERISTICS, PECL**  $V_{CC} = 3.3\text{ V}$ ,  $V_{EE} = 0\text{ V}$  (Note 2)

Symbol	Characteristic	-40°C			25°C			85°C			Unit
		Min	Typ	Max	Min	Typ	Max	Min	Typ	Max	
$I_{EE}$	Power Supply Current	100	125	160	110	130	170	110	135	175	mA
$V_{OH}$	Output HIGH Voltage (Note 3)	2155	2300	2405	2155	2300	2405	2155	2300	2405	mV
$V_{OL}$	Output LOW Voltage (Note 3)	1305	1520	1605	1305	1500	1605	1305	1485	1605	mV
$V_{IH}$	Input HIGH Voltage (Single-Ended)										mV
	LVPECL	2075		2420	2075		2420	2075		2420	
	LVC MOS	2000		3300	2000		3300	2000		3300	
	LVTTL	2000		3300	2000		3300	2000		3300	
$V_{IL}$	Input LOW Voltage (Single-Ended)										mV
	LVPECL	1305		1675	1305		1675	1305		1675	
	LVC MOS	0		800	0		800	0		800	
	LVTTL	0		800	0		800	0		800	
$V_{BB}$	Output Voltage Reference	1775	1875	1975	1775	1875	1975	1775	1875	1975	mV
$V_{CF}$	LVTTL Mode Input Detect Voltage @ $I_{V_{CF}} = 700\ \mu\text{A}$	1.4	1.5	1.6	1.4	1.5	1.6	1.4	1.5	1.6	V
$V_{EF}$	Reference Voltage for ECL Mode Connection	1900	1960	2050	1875	1953	2050	1850	1945	2050	mV
$V_{IHCMR}$	Input HIGH Voltage Common Mode Range (Differential Configuration) (Note 4)	2.0		3.3	2.0		3.3	2.0		3.3	V
$I_{IH}$	Input HIGH Current (PECL) IN, $\overline{IN}$ , $\overline{EN}$ , LEN, SETMIN, SETMAX			150			150			150	$\mu\text{A}$
$I_{IHH}$	FTUNE Input High Current @ $V_{CC}$	50	87	150	50	84	150	50	82	150	$\mu\text{A}$
$I_{IL}$	Input LOW Current (PECL) IN, $\overline{IN}$ , $\overline{EN}$ , LEN, SETMIN, SETMAX	0.5			0.5			0.5			$\mu\text{A}$
$I_{ILL}$	FTUNE Input LOW Current @ $V_{EE}$	-10	0	10	-10	0	10	-10	0	10	$\mu\text{A}$

NOTE: Device will meet the specifications after thermal equilibrium has been established when mounted in a test socket or printed circuit board with maintained transverse airflow greater than 500 lpm.

- Input and output parameters vary 1:1 with  $V_{CC}$ .  $V_{EE}$  can vary +0.3 V to -0.3 V.
- All loading with  $50\ \Omega$  to  $V_{CC} - 2.0\text{ V}$ .
- $V_{IHCMR}$  min varies 1:1 with  $V_{EE}$ ,  $V_{IHCMR}$  max varies 1:1 with  $V_{CC}$ . The  $V_{IHCMR}$  range is referenced to the most positive side of the differential input signal.

# MC100EP196

**Table 10. DC CHARACTERISTICS, NECL**  $V_{CC} = 0\text{ V}$ ,  $V_{EE} = -3.3\text{ V}$  (Note 5)

Symbol	Characteristic	-40°C			25°C			85°C			Unit
		Min	Typ	Max	Min	Typ	Max	Min	Typ	Max	
$I_{EE}$	Power Supply Current	100	125	160	110	130	170	110	135	175	mA
$V_{OH}$	Output HIGH Voltage (Note 6)	-1145	-1000	-895	-1145	-1000	-895	-1145	-1000	-895	mV
$V_{OL}$	Output LOW Voltage (Note 6)	-1995	-1780	-1695	-1995	-1800	-1695	-1995	-1815	-1695	mV
$V_{IH}$	Input HIGH Voltage (Single-Ended) LVNECL	-1225		-880	-1225		-880	-1225		-880	mV
$V_{IL}$	Input LOW Voltage (Single-Ended) LVNECL	-1995		-1625	-1995		-1625	-1995		-1625	mV
$V_{BB}$	Output Voltage Reference	-1525	-1425	-1325	-1525	-1425	-1325	-1525	-1425	-1325	mV
$V_{EF}$	Reference Voltage for ECL Mode Connection	-1400	-1340	-1250	-1425	-1347	-1250	-1450	-1355	-1250	mV
$V_{IHCMR}$	Input HIGH Voltage Common Mode Range (Differential Configuration) (Note 7)	$V_{EE}+2.0$		0	$V_{EE}+2.0$		0	$V_{EE}+2.0$		0	V
$I_{IH}$	Input HIGH Current IN, $\overline{IN}$ , $\overline{EN}$ , LEN, SETMIN, SETMAX			150			150			150	$\mu\text{A}$
$I_{IHH}$	FTUNE Input High Current @ $V_{CC}$	50	87	150	50	84	150	50	82	150	$\mu\text{A}$
$I_{IL}$	Input LOW Current IN, $\overline{IN}$ , $\overline{EN}$ , LEN, SETMIN, SETMAX	0.5			0.5			0.5			$\mu\text{A}$
$I_{ILL}$	FTUNE Input LOW Current @ $V_{EE}$	-10	0	10	-10	0	10	-10	0	10	$\mu\text{A}$

NOTE: Device will meet the specifications after thermal equilibrium has been established when mounted in a test socket or printed circuit board with maintained transverse airflow greater than 500 lpm.

5. Input and output parameters vary 1:1 with  $V_{CC}$ .  $V_{EE}$  can vary +0.3 V to -0.3 V.

6. All loading with  $50\ \Omega$  to  $V_{CC} - 2.0\text{ V}$ .

7.  $V_{IHCMR}$  min varies 1:1 with  $V_{EE}$ .  $V_{IHCMR}$  max varies 1:1 with  $V_{CC}$ . The  $V_{IHCMR}$  range is referenced to the most positive side of the differential input signal.

# MC100EP196

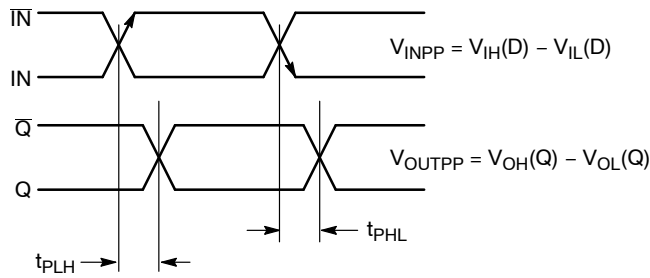
**Table 11. AC CHARACTERISTICS**  $V_{CC} = 0\text{ V}$ ;  $V_{EE} = -3.0\text{ V to }-3.6\text{ V}$  or  $V_{CC} = 3.0\text{ V to }3.6\text{ V}$ ;  $V_{EE} = 0\text{ V}$  (Note 8)

Symbol	Characteristic	-40°C			25°C			85°C			Unit
		Min	Typ	Max	Min	Typ	Max	Min	Typ	Max	
$f_{max}$	Maximum Frequency		1.2			1.2			1.2		GHz
$t_{PLH}$ $t_{PHL}$	Propagation Delay IN to Q; D(0-9) = 0 IN to Q; D(0-9) = 1023 $\overline{EN}$ to Q; D(0-9) = 0 D10 to CASCADE	1810 9500 1780 350	2210 11496 2277 450	2610 13500 2780 550	1960 10000 1930 380	2360 12258 2430 477	2760 14000 2930 580	2180 10955 2150 420	2580 13454 2650 520	2980 15955 3150 620	ps
$t_{RANGE}$	Programmable Range {D(0-9) = HI} - {D(0-9) = LO}	8600	9285	10000	9200	9897	10700	9900	10875	12000	ps
$\Delta t$	Step Delay (Note 9) D0 High D1 High D2 High D3 High D4 High D5 High D6 High D7 High D8 High D9 High		7 23 39 58 90 245 530 1060 2160 4335			11 30 48 67 100 149 200 260 313 370 429 495			13 32 53 73 90 154 225 270 337 410 600 681 770 1200 1353 1520 2450 2712 3015 5440		ps
Mono	Monotonicity (Note 10)										ps
$t_{SKEW}$	Duty Cycle Skew (Note 11) $ t_{PHL} - t_{PLH} $		20			22			27		ps
$t_s$	Setup Time D to LEN D to IN (Note 12) EN to IN (Note 13)	150 100 150	-10 -130 -105		150 100 150	-70 -150 -120		150 100 150	-70 -165 -140		ps
$t_h$	Hold Time LEN to D IN to $\overline{EN}$ (Note 14)	225 450	170 275		200 450	70 305		200 450	60 325		ps
$t_R$	Release Time $\overline{EN}$ to IN (Note 15) SET MAX to LEN SET MIN to LEN	150 400 300	-105 70 165		150 400 350	-120 110 180		150 400 350	-140 160 205		ps
$t_{jit}$	Random Clock Jitter @ 1.2 GHz, SETMAX Delay		3			3			3		ps
$V_{PP}$	Input Voltage Swing (Differential Configuration)	150	800	1200	150	800	1200	150	800	1200	mV
$t_r$ $t_f$	Output Rise/Fall Time 20-80% (Q) 20-80% (CASCADE)	85 100	110 150	130 200	95 110	120 160	145 210	110 125	135 175	160 225	ps

NOTE: Device will meet the specifications after thermal equilibrium has been established when mounted in a test socket or printed circuit board with maintained transverse airflow greater than 500 lpm.

8. Measured using a 750 mV source, 50% duty cycle clock source. All loading with 50  $\Omega$  to  $V_{CC} - 2.0\text{ V}$ .
9. Specification limits represent the amount of delay added with the assertion of each individual delay control pin. The various combinations of asserted delay control inputs will typically realize D0 resolution steps across the specified programmable range.
10. The monotonicity indicates the increased delay value for each binary count increment on the control inputs D(0-9).
11. Duty cycle skew guaranteed only for differential operation measured from the cross point of the input to the cross point of the output.
12. This setup time defines the amount of time prior to the input signal the delay tap of the device must be set.
13. This setup time is the minimum time that EN must be asserted prior to the next transition of IN/ $\overline{IN}$  to prevent an output response greater than  $V_{CC} - 1425\text{ mV}$  to that IN/ $\overline{IN}$  transition.
14. This hold time is the minimum time that  $\overline{EN}$  must remain asserted after a negative going IN or positive going  $\overline{IN}$  to prevent an output response greater than  $V_{CC} - 1425\text{ mV}$  to that IN/ $\overline{IN}$  transition.
15. This release time is the minimum time that EN must be deasserted prior to the next IN/ $\overline{IN}$  transition to ensure an output response that meets the specified IN to Q propagation delay and transition times.

## MC100EP196



**Figure 4. AC Reference Measurement**

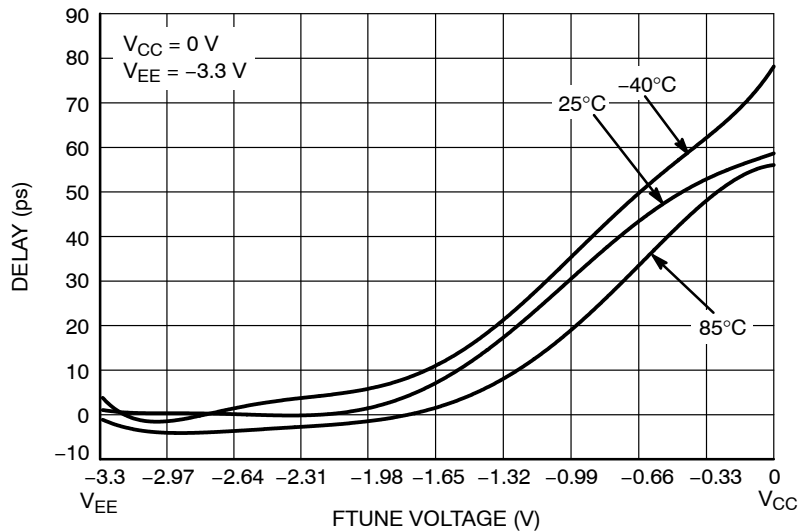
### USING THE FTUNE ANALOG INPUT

The analog FTUNE pin on the EP196 device is intended to add more delay in a tunable gate to enhance the 10 ps resolution capabilities of the fully digital EP196. The level of resolution obtained is dependent on the voltage applied to the FTUNE pin.

To provide this further level of resolution, the FTUNE pin must be capable of adjusting the additional delay finer than the 10 ps digital resolution (See Logic Diagram). This requirement is easily achieved because a 60 ps additional delay can be obtained over the entire FTUNE voltage range (See Figure 5). This extra analog range ensures that the

FTUNE pin will be capable even under worst case conditions of covering a digital resolution. Typically, the analog input will be driven by an external DAC to provide a digital control with very fine analog output steps. The final resolution of the device will be dependent on the width of the DAC chosen.

To determine the voltage range necessary for the FTUNE input, Figure 5 should be used. There are numerous voltage ranges which can be used to cover a given delay range; users are given the flexibility to determine which one best fits their designs.



**Figure 5. Typical EP196 Delay versus FTUNE Voltage**

**CASCADING MULTIPLE EP196S**

To increase the programmable range of the EP196, internal cascade circuitry has been included. This circuitry allows for the cascading of multiple EP196s without the need for any external gating. Furthermore, this capability requires only one more address line per added EP196. Obviously, cascading multiple programmable delay chips will result in a larger programmable range; however, this increase is at the expense of a longer minimum delay.

Figure 6 illustrates the interconnect scheme for cascading two EP196s. As can be seen, this scheme can easily be

expanded for larger EP196 chains. The D10 input of the EP196 is the cascade control pin and when assert **HIGH** switches output pin **CASCADE** to **LOW** and pin **CASCADE** to **LOW**. With the interconnect scheme of Figure 6 when D10 is asserted, it signals the need for a larger programmable range than is achievable with a single device. The A11 address can be added to generate a cascade output for the next EP196. For a 2-device configuration, A11 is not required.

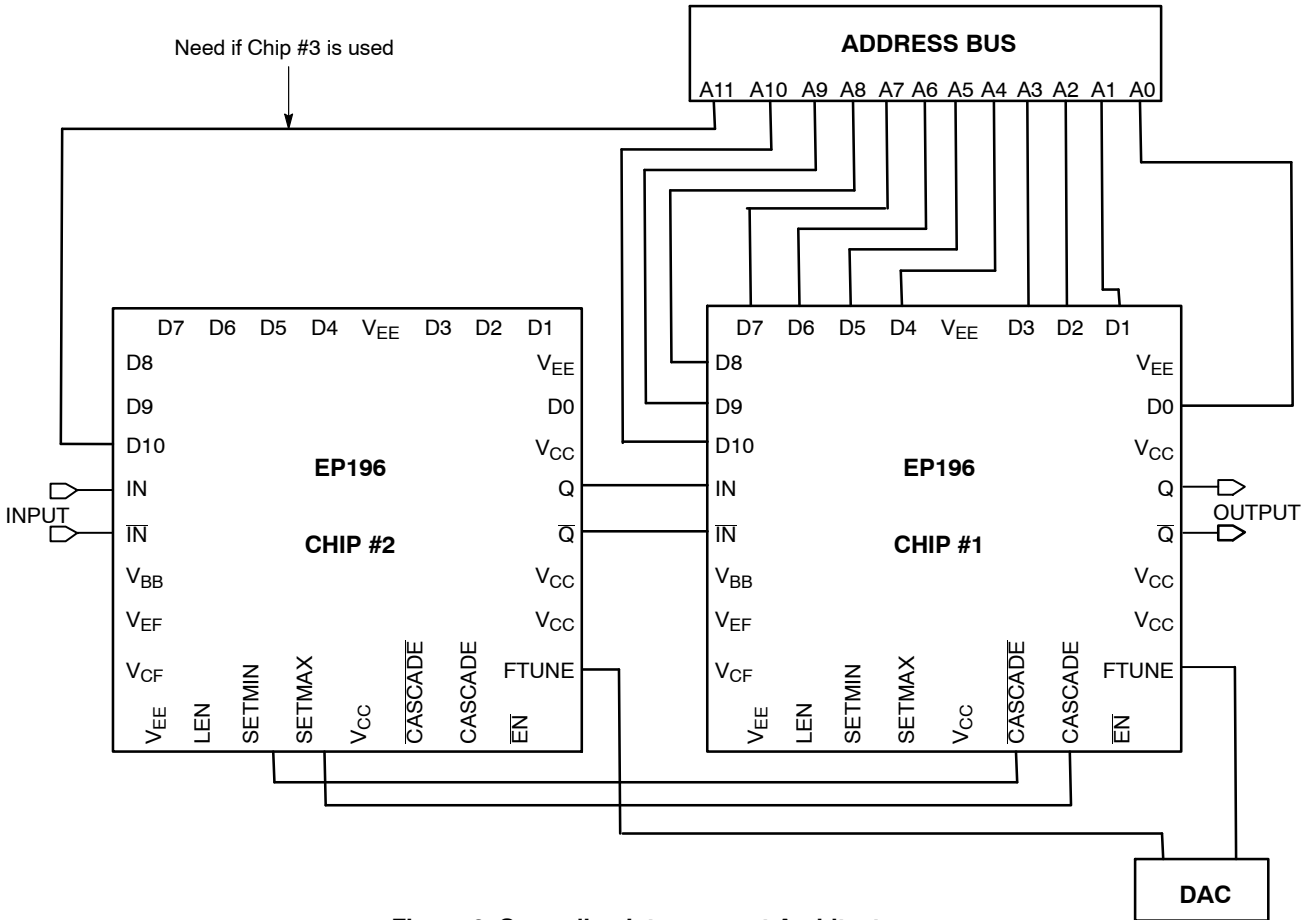


Figure 6. Cascading Interconnect Architecture

## MC100EP196

An expansion of the latch section of the block diagram is pictured in Figure 7. Use of this diagram will simplify the explanation of how the SETMIN and SETMAX circuitry works in cascade. When D10 of chip #1 in Figure 5 is LOW, this device's cascade output will also be LOW while the CASCADE output will be HIGH. In this condition, the SETMIN pin of chip #2 will be asserted HIGH and thus all of the latches of chip #2 will be reset and the device will be set at its minimum delay.

Chip #1, on the other hand, will have both SETMIN and SETMAX deasserted so that its delay will be controlled entirely by the address bus A0–A9. If the delay needed is greater than can be achieved with 1023 gate delays (111111111 on the A0–A9 address bus), D10 will be asserted to signal the need to cascade the delay to the next EP196 device. When D10 is asserted, the SETMIN pin of

chip #2 will be deasserted and the SETMAX pin asserted, resulting in the device delay to be the maximum delay. Table 12 shows the delay time of two EP196 chips in cascade.

To expand this cascading scheme to more devices, one simply needs to connect the D10 pin from the next chip to the address bus and CASCADE outputs to the next chip in the same manner as pictured in Figure 6. The only addition to the logic is the increase of one line to the address bus for cascade control of the second programmable delay chip.

Furthermore, to fully utilize EP196, the FTUNE pin can be used for additional delay and for finer resolution than 10 ps. As shown in Figure 5, an analog voltage input from DAC can adjust the FTUNE pin with an extra 60 ps of delay for each chip.

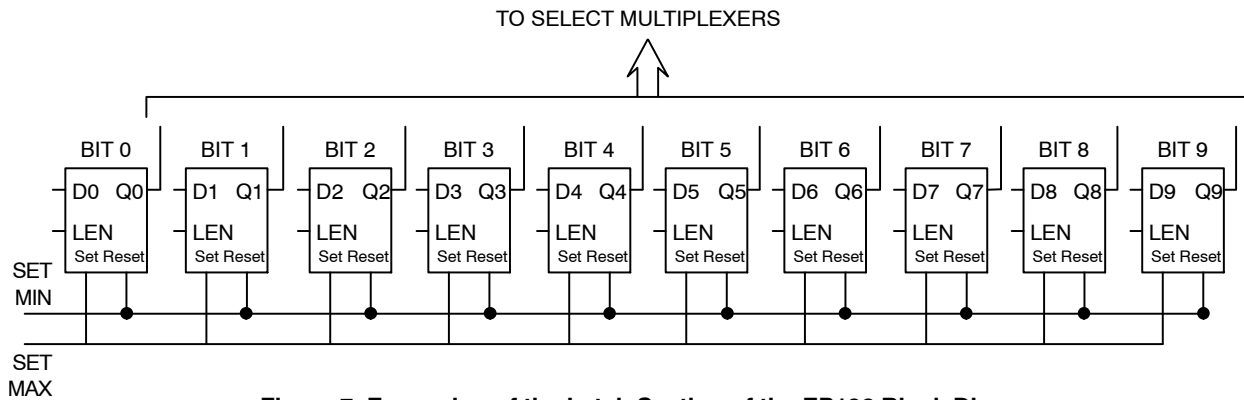


Figure 7. Expansion of the Latch Section of the EP196 Block Diagram

# MC100EP196

**Table 12. CASCADED DELAY VALUE OF TWO EP196S**

VARIABLE INPUT TO CHIP #1 AND SETMIN FOR CHIP #2												
INPUT FOR CHIP #1												Total
D10	D9	D8	D7	D6	D5	D4	D3	D2	D1	D0	Delay Value	Delay Value
0	0	0	0	0	0	0	0	0	0	0	0 ps	4400 ps
0	0	0	0	0	0	0	0	0	0	1	10 ps	4410 ps
0	0	0	0	0	0	0	0	0	1	0	20 ps	4420 ps
0	0	0	0	0	0	0	0	0	1	1	30 ps	4430 ps
0	0	0	0	0	0	0	0	1	0	0	40 ps	4440 ps
0	0	0	0	0	0	0	0	1	0	1	50 ps	4450 ps
0	0	0	0	0	0	0	0	1	1	0	60 ps	4460 ps
0	0	0	0	0	0	0	0	1	1	1	70 ps	4470 ps
0	0	0	0	0	0	0	1	0	0	0	80 ps	4480 ps
0	0	0	0	0	0	1	0	0	0	0	160 ps	4560 ps
0	0	0	0	0	1	0	0	0	0	0	320 ps	4720 ps
0	0	0	0	1	0	0	0	0	0	0	640 ps	5040 ps
0	0	0	1	0	0	0	0	0	0	0	1280 ps	5680 ps
0	0	1	0	0	0	0	0	0	0	0	2560 ps	6960 ps
0	1	0	0	0	0	0	0	0	0	0	5120 ps	9520 ps
0	1	1	1	1	1	1	1	1	1	1	10230 ps	14630 ps

VARIABLE INPUT TO CHIP #1 AND SETMAX FOR CHIP #2												
INPUT FOR CHIP #1												Total
D10	D9	D8	D7	D6	D5	D4	D3	D2	D1	D0	Delay Value	Delay Value
1	0	0	0	0	0	0	0	0	0	0	10240 ps	14640 ps
1	0	0	0	0	0	0	0	0	0	1	10250 ps	14650 ps
1	0	0	0	0	0	0	0	0	1	0	10260 ps	14660 ps
1	0	0	0	0	0	0	0	0	1	1	10270 ps	14670 ps
1	0	0	0	0	0	0	0	1	0	0	10280 ps	14680 ps
1	0	0	0	0	0	0	0	1	0	1	10290 ps	14690 ps
1	0	0	0	0	0	0	0	1	1	0	10300 ps	14700 ps
1	0	0	0	0	0	0	0	1	1	1	10310 ps	14710 ps
1	0	0	0	0	0	0	1	0	0	0	10320 ps	14720 ps
1	0	0	0	0	0	1	0	0	0	0	10400 ps	14800 ps
1	0	0	0	0	1	0	0	0	0	0	10560 ps	14960 ps
1	0	0	0	1	0	0	0	0	0	0	10880 ps	15280 ps
1	0	0	1	0	0	0	0	0	0	0	11520 ps	15920 ps
1	0	1	0	0	0	0	0	0	0	0	12800 ps	17200 ps
1	1	0	0	0	0	0	0	0	0	0	15360 ps	19760 ps
1	1	1	1	1	1	1	1	1	1	1	20470 ps	24870 ps

# MC100EP196

## MULTI-CHANNEL DESKEWING

The most practical application for EP196 is in multiple channel delay matching. Slight differences in impedance and cable length can create large timing skews within a high-speed system. To deskew multiple signal channels, each channel can be sent through each EP196 as shown in

Figure 8. One signal channel can be used as reference and the other EP196s can be used to adjust the delay to eliminate the timing skews. Nearly any high-speed system can be fine tuned (as small as 10 ps) to reduce the skew to extremely tight tolerances using the available FTUNE pin.

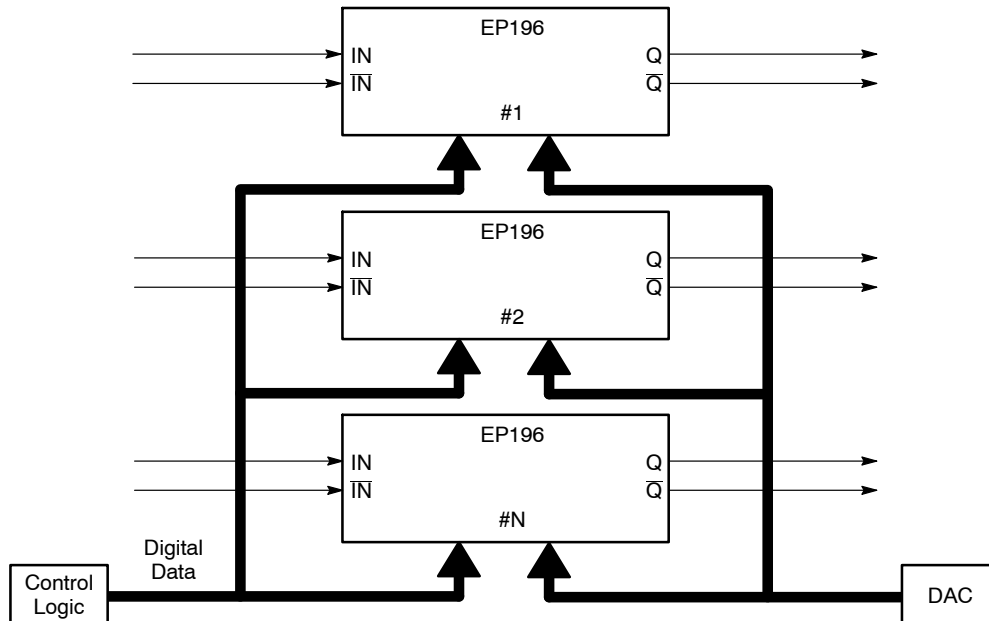
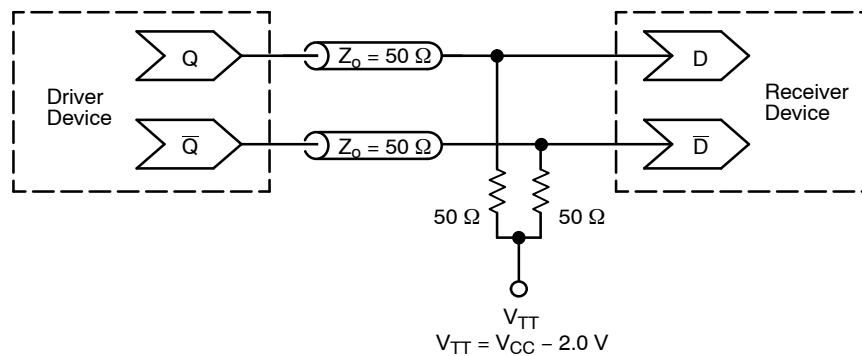


Figure 8. Multiple Channel Deskewing Diagram



## MC100EP196



**Figure 9. Typical Termination for Output Driver and Device Evaluation  
(See Application Note AND8020/D – Termination of ECL Logic Devices.)**

### ORDERING INFORMATION

Device	Package	Shipping <sup>†</sup>
MC100EP196FAG	LQFP-32 (Pb-Free)	250 Units / Tray
MC100EP196FAR2G	LQFP-32 (Pb-Free)	2000 / Tape & Reel

<sup>†</sup>For information on tape and reel specifications, including part orientation and tape sizes, please refer to our Tape and Reel Packaging Specifications Brochure, [BRD8011/D](#).

### Resource Reference of Application Notes

- AN1405/D** – ECL Clock Distribution Techniques
- AN1406/D** – Designing with PECL (ECL at +5.0 V)
- AN1503/D** – ECLinPS™ I/O SPICE Modeling Kit
- AN1504/D** – Metastability and the ECLinPS Family
- AN1568/D** – Interfacing Between LVDS and ECL
- AN1672/D** – The ECL Translator Guide
- AND8001/D** – Odd Number Counters Design
- AND8002/D** – Marking and Date Codes
- AND8020/D** – Termination of ECL Logic Devices
- AND8066/D** – Interfacing with ECLinPS
- AND8090/D** – AC Characteristics of ECL Devices

ECLinPS is a trademark of Semiconductor Components Industries, LLC dba "onsemi" or its affiliates and/or subsidiaries in the United States and/or other countries.

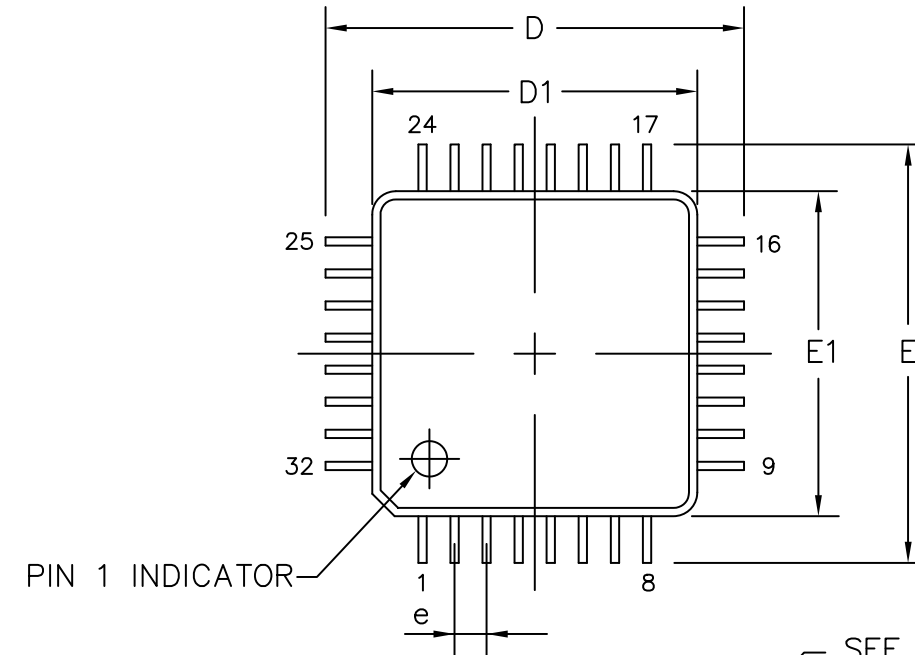
**MECHANICAL CASE OUTLINE**  
**PACKAGE DIMENSIONS**

ON Semiconductor®

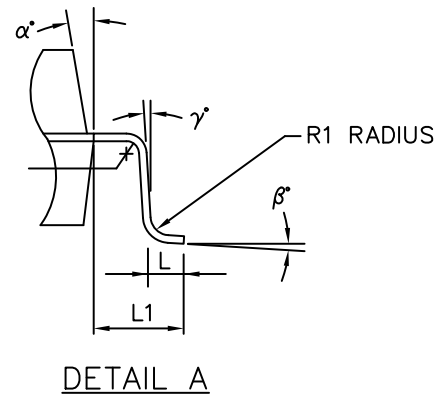
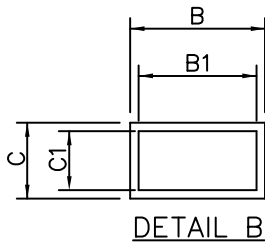
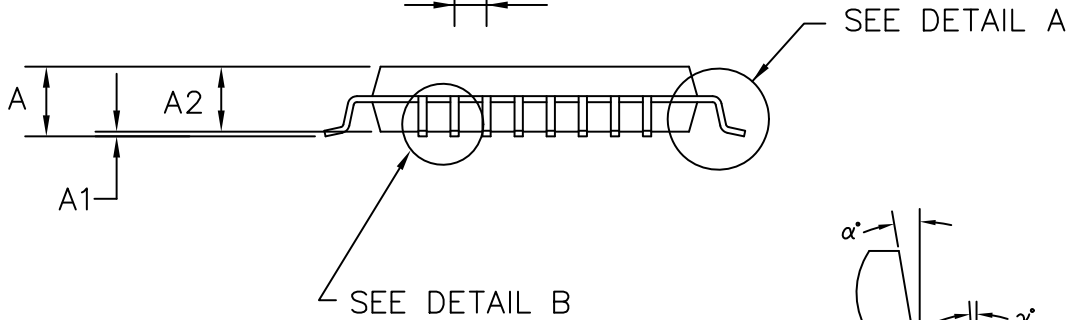


**LQFP-32, 7x7**  
**CASE 561AB-01**  
**ISSUE O**

DATE 19 JUN 2008



SYMBOL	MIN	NOM	MAX
A	—	—	1.60
A1	0.05	—	0.15
A2	1.35	1.40	1.45
B	0.30	0.37	0.45
B1	0.30	0.35	0.40
C	0.09	—	0.20
C1	0.09	—	0.16
D	9.00 BSC		
D1	7.00 BSC		
E	9.00 BSC		
E1	7.00 BSC		
e	0.80 BSC		
L	0.45	0.60	0.75
L1	1.00		
R1	0.08	—	0.20
$\alpha^\circ$	11	—	13
$\beta^\circ$	0	—	7
$\gamma^\circ$	0	—	—



ALL DIMENSIONS IN MM

<b>DOCUMENT NUMBER:</b>	<b>98AON30893E</b>	Electronic versions are uncontrolled except when accessed directly from the Document Repository. Printed versions are uncontrolled except when stamped "CONTROLLED COPY" in red.
<b>DESCRIPTION:</b>	<b>32 LEAD LQFP, 7X7</b>	<b>PAGE 1 OF 1</b>

ON Semiconductor and are trademarks of Semiconductor Components Industries, LLC dba ON Semiconductor or its subsidiaries in the United States and/or other countries. ON Semiconductor reserves the right to make changes without further notice to any products herein. ON Semiconductor makes no warranty, representation or guarantee regarding the suitability of its products for any particular purpose, nor does ON Semiconductor assume any liability arising out of the application or use of any product or circuit, and specifically disclaims any and all liability, including without limitation special, consequential or incidental damages. ON Semiconductor does not convey any license under its patent rights nor the rights of others.

**onsemi**, **Onsemi**, and other names, marks, and brands are registered and/or common law trademarks of Semiconductor Components Industries, LLC dba "**onsemi**" or its affiliates and/or subsidiaries in the United States and/or other countries. **onsemi** owns the rights to a number of patents, trademarks, copyrights, trade secrets, and other intellectual property. A listing of **onsemi**'s product/patent coverage may be accessed at [www.onsemi.com/site/pdf/Patent-Marking.pdf](http://www.onsemi.com/site/pdf/Patent-Marking.pdf). **onsemi** reserves the right to make changes at any time to any products or information herein, without notice. The information herein is provided "as-is" and **onsemi** makes no warranty, representation or guarantee regarding the accuracy of the information, product features, availability, functionality, or suitability of its products for any particular purpose, nor does **onsemi** assume any liability arising out of the application or use of any product or circuit, and specifically disclaims any and all liability, including without limitation special, consequential or incidental damages. Buyer is responsible for its products and applications using **onsemi** products, including compliance with all laws, regulations and safety requirements or standards, regardless of any support or applications information provided by **onsemi**. "Typical" parameters which may be provided in **onsemi** data sheets and/or specifications can and do vary in different applications and actual performance may vary over time. All operating parameters, including "Typicals" must be validated for each customer application by customer's technical experts. **onsemi** does not convey any license under any of its intellectual property rights nor the rights of others. **onsemi** products are not designed, intended, or authorized for use as a critical component in life support systems or any FDA Class 3 medical devices or medical devices with a same or similar classification in a foreign jurisdiction or any devices intended for implantation in the human body. Should Buyer purchase or use **onsemi** products for any such unintended or unauthorized application, Buyer shall indemnify and hold **onsemi** and its officers, employees, subsidiaries, affiliates, and distributors harmless against all claims, costs, damages, and expenses, and reasonable attorney fees arising out of, directly or indirectly, any claim of personal injury or death associated with such unintended or unauthorized use, even if such claim alleges that **onsemi** was negligent regarding the design or manufacture of the part. **onsemi** is an Equal Opportunity/Affirmative Action Employer. This literature is subject to all applicable copyright laws and is not for resale in any manner.

## ADDITIONAL INFORMATION

### TECHNICAL PUBLICATIONS:

Technical Library: [www.onsemi.com/design/resources/technical-documentation](http://www.onsemi.com/design/resources/technical-documentation)  
onsemi Website: [www.onsemi.com](http://www.onsemi.com)

### ONLINE SUPPORT: [www.onsemi.com/support](http://www.onsemi.com/support)

For additional information, please contact your local Sales Representative at [www.onsemi.com/support/sales](http://www.onsemi.com/support/sales)

