



NCV890103 Evaluation Board User's Manual

ON Semiconductor®

<http://onsemi.com>

EVAL BOARD USER'S MANUAL

Description

The NCV890103 is a fixed-frequency, monolithic, Buck switching regulator intended for Automotive, battery-connected applications that must operate with up to a 36 V input supply. The regulator is suitable for systems with low noise and small form factor requirements often encountered in automotive driver information systems. The NCV890103 is capable of converting the typical 4.5 V to 18 V automotive input voltage range to outputs as low as 3.3 V at a constant switching frequency above the sensitive AM band, eliminating the need for costly filters and EMI countermeasures. A Reset pin signals when the output is in regulation, and a pin is provided to adjust the delay before the RSTB signal goes high. The NCV890103 also provides several protection features expected in Automotive power supply systems such as current limit, short circuit protection, and thermal shutdown. In addition, the high switching frequency produces low output voltage ripple even when using small inductor values and an all-ceramic output filter capacitor – forming a space-efficient switching regulator solution.

Key Features

- Internal N-channel Power Switch
- Low V_{IN} Operation Down to 4.5 V
- High V_{IN} Operation to 36 V
- Withstands Load Dump to 40 V
- 2 MHz Free-running Switching Frequency
- Reset with Adjustable Delay
- Logic level Enable Input Can be Directly Tied to Battery
- 1.4 A (min) Cycle-by-Cycle Peak Current Limit
- Short Circuit Protection enhanced by Frequency Foldback
- $\pm 1.75\%$ Output Voltage Tolerance
- Output Voltage Adjustable Down to 0.8 V
- 1.4 Millisecond Internal Soft-Start
- Thermal Shutdown (TSD)
- Low Shutdown Current
- NCV Prefix for Automotive and Other Applications Requiring Unique Site and Control Change Requirements; AEC-Q100 Qualified and PPAP Capable
- Wettable Flanks DFN (Pin Edge Plating)
- These Devices are Pb-Free and are RoHS Compliant

Typical Applications

- Audio, Infotainment, Safety – Vision Systems, Instrumentation

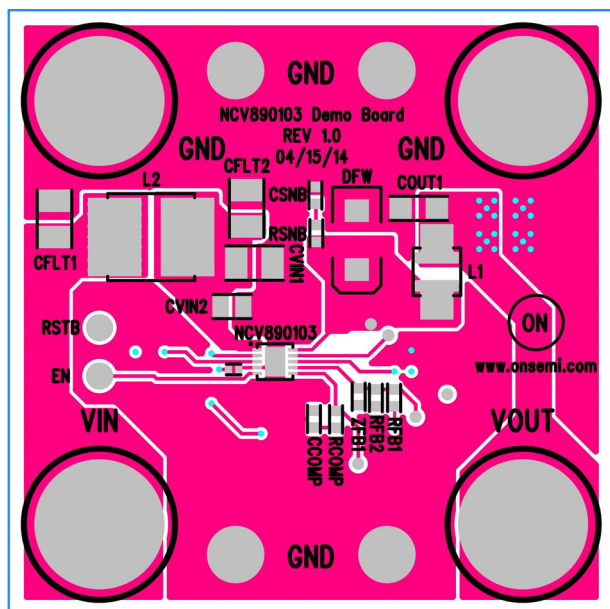


Figure 1. NCV890103 Evaluation Board

NCV890103GEVB

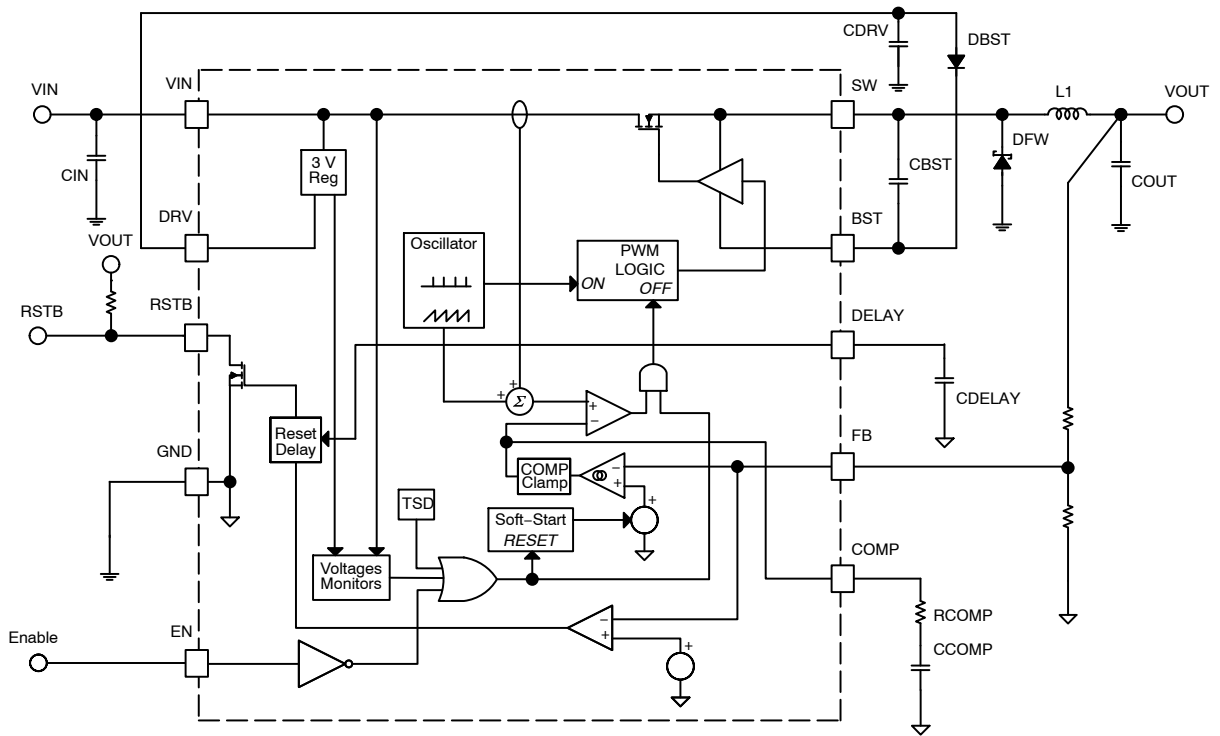


Figure 2. NCV890103 Block Diagram

TYPICAL APPLICATION

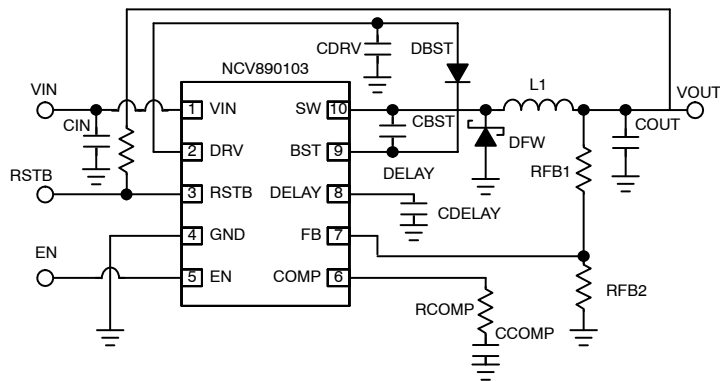


Figure 3. NCV890103 Typical Application

NCV890103GEVB

Table 1. EVALUATION BOARD TERMINALS

| Pin Name | Function |
|----------|-----------------------------|
| VIN | Positive dc Input Voltage |
| GND | Common dc Return |
| VOUT | Positive dc Output Voltage |
| EN | Master Enable Input |
| RSTB | Reset with Adjustable Delay |

Table 2. ABSOLUTE MAXIMUM RATINGS (Voltages are with respect to GND)

| Rating | Value | Unit |
|-----------------------------|-------------|------|
| Dc Supply Voltage (VIN, EN) | -0.3 to 40 | V |
| Dc Supply Voltage (RSTB) | -0.3 to 6 | V |
| Storage Temperature Range | -55 to +150 | °C |

Stresses exceeding those listed in the Maximum Ratings table may damage the device. If any of these limits are exceeded, device functionality should not be assumed, damage may occur and reliability may be affected.

Table 3. ELECTRICAL CHARACTERISTICS

| Characteristic | Conditions | Typical Value | Unit |
|-----------------------------------|---------------------------|---------------|------|
| REGULATION | | | |
| Output Voltage (VOUT) | | 5.0 | V |
| Line Regulation (VOUT) | $I_{OUT} = 1.0 \text{ A}$ | 0.1 | % |
| Load Regulation (VOUT) | $V_{IN} = 13.2 \text{ V}$ | 0.1 | % |
| SWITCHING | | | |
| Switching Frequency | | 2.0 | MHz |
| Soft-start Time | | 1.4 | ms |
| CURRENT LIMIT | | | |
| Peak Current Limit (VOUT) | $EN = 5 \text{ V}$ | 2.35 | A |
| PROTECTIONS | | | |
| Input Undervoltage Lockout (UVLO) | V_{IN} Decreasing | 3.4 | V |
| Thermal Shutdown | T_J Rising | 170 | °C |

Product parametric performance is indicated in the Electrical Characteristics for the listed test conditions, unless otherwise noted. Product performance may not be indicated by the Electrical Characteristics if operated under different conditions.

NCV890103GEVB

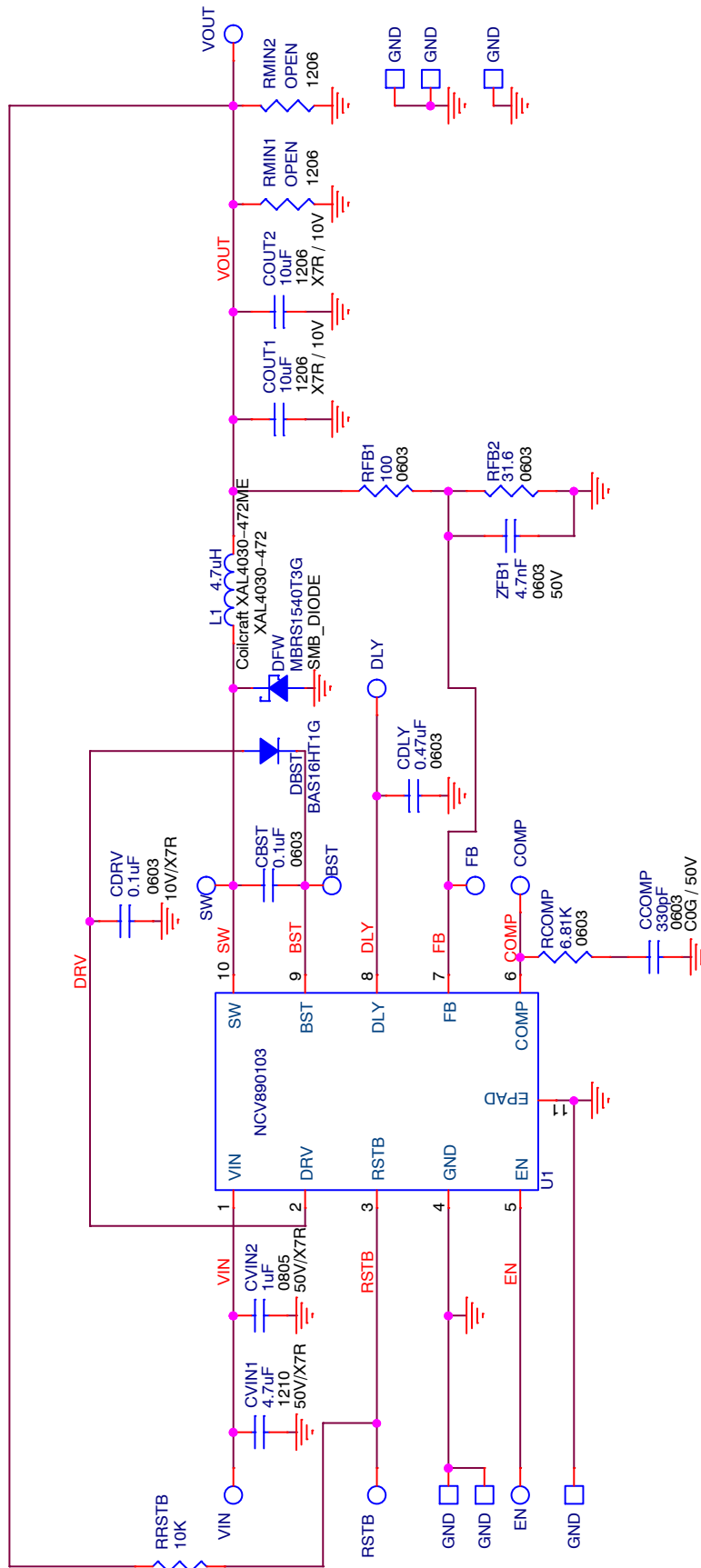


Figure 4. NCV890103GEVB Evaluation Board Schematic

NCV890103GEVB

OPERATIONAL GUIDELINES

1. Connect a dc input voltage, within the 6.0 V to 36 V range, between VIN and GND.
2. Connect a dc enable voltage, within the 2.0 V to 36 V range, between EN and GND. This will power up the switcher. The VOUT signal should be 3.3 V.
3. Add a load to VOUT – up to 1.0 A.

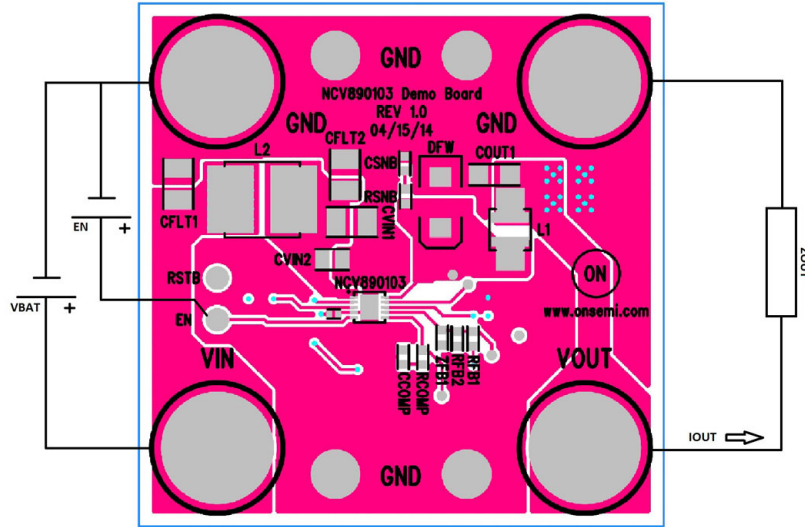
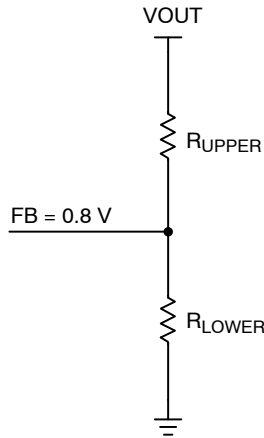


Figure 5. NCV890103 Board Connections

ADDITIONAL GUIDELINES

Output Voltage Selection

The voltage output for the switcher is adjustable and can be set with a resistor divider. The FB reference for the switcher is 0.8 V.



Use the following equation:

$$R_{UPPER} = R_{LOWER} \frac{V_{OUT} - V_{FB}}{V_{FB}}$$

Some common setups are listed below:

| Desired Output (V) | VREF (V) | R _{UPPER} (kΩ, 1%) | R _{LOWER} (kΩ, 1%) |
|--------------------|----------|-----------------------------|-----------------------------|
| 1.2 | 0.8 | 5.11 | 10.0 |
| 1.5 | 0.8 | 8.87 | 10.0 |
| 1.8 | 0.8 | 12.7 | 10.0 |
| 2.5 | 0.8 | 21.5 | 10.0 |
| 3.3 | 0.8 | 31.6 | 10.0 |
| 5.0 | 0.8 | 52.3 | 10.0 |

Reset with Adjustable Delay

The RSTB pin is pulled low as long as the voltage on the FB pin is lower than 92% (typical) of the reference voltage (which corresponds to the output voltage being lower than 92% of its regulation level). It is high impedance when the voltage goes above 94% (typical) of the regulation level, after a delay adjusted by the capacitor on the DELAY pin.

The capacitor is held at ground until the output enters regulation: C_{DELAY} is then quickly charged to the internal rail voltage (V_{RESU}), then discharged by the I_{delay} current until its voltage reaches the lower threshold V_{DELTH}. Only at this moment the RSTB pin voltage goes high, indicating the end of the Reset condition.

NCV890103GEVB

A small filtering delay (of duration t_{PG}) ensures that the RSTB signal doesn't toggle from high to low in case of high frequency noise when the output is in regulation.

A pull-up resistor is needed on the RSTB pin, as it features an open collector output, capable of sinking 1 mA minimum at 400 mV.

The RSTB pin is also pulled low in case of UVLO (V_{IN} below the UVLO threshold), TSD (temperature shutdown) or Disable (V_{EN} below the enable threshold) events.

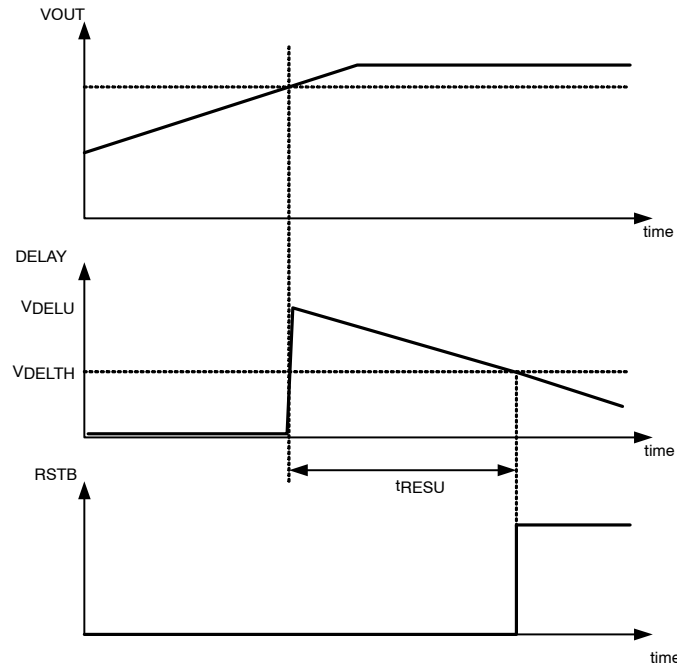


Figure 6. Typical Operation of the Reset with Delay Function

NCV890103GEVB

TYPICAL PERFORMANCE

Efficiency

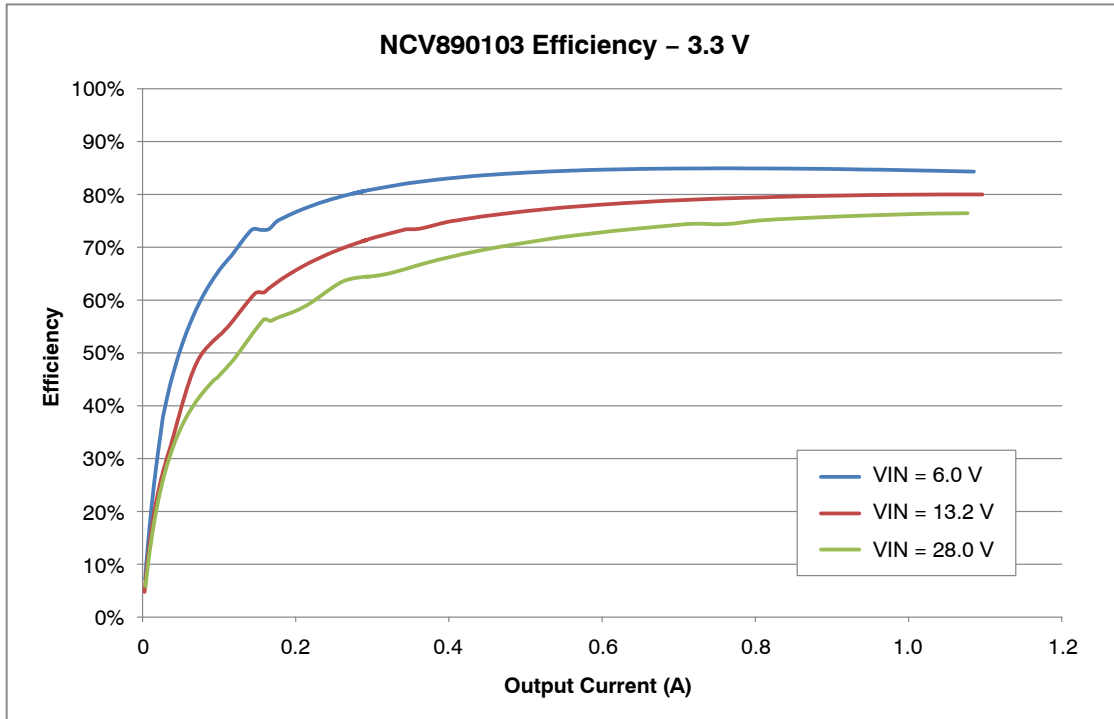


Figure 7. Efficiency with a 3.3 V Output

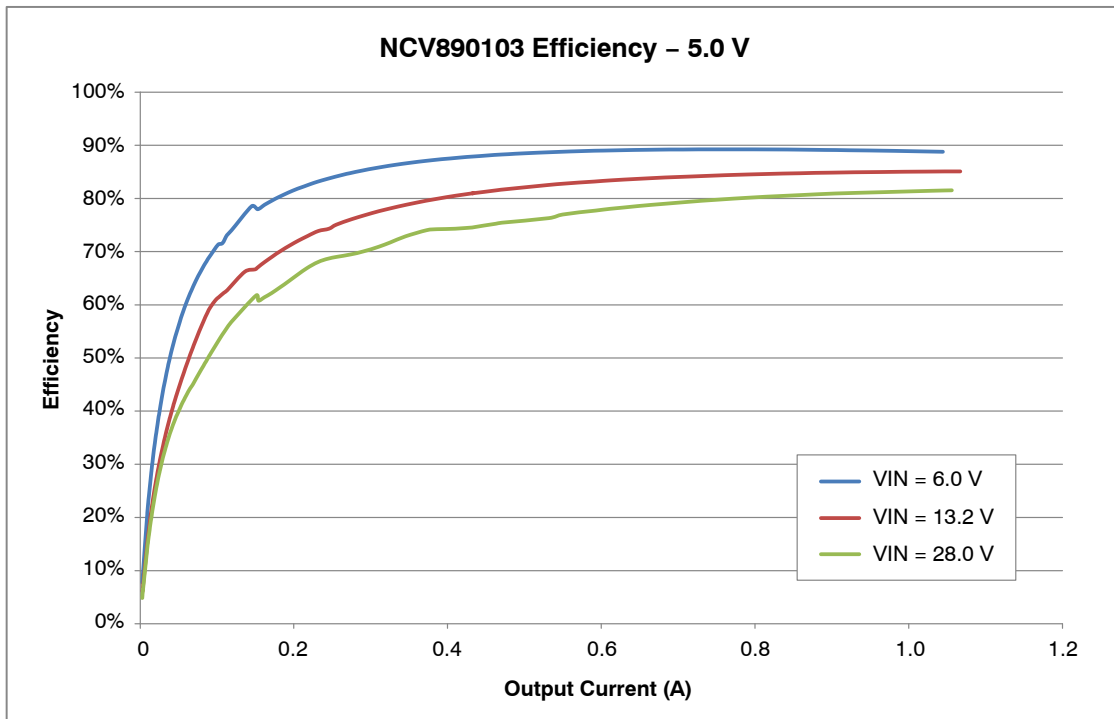


Figure 8. Efficiency with a 5.0 V Output

NCV890103GEVB

Line Regulation

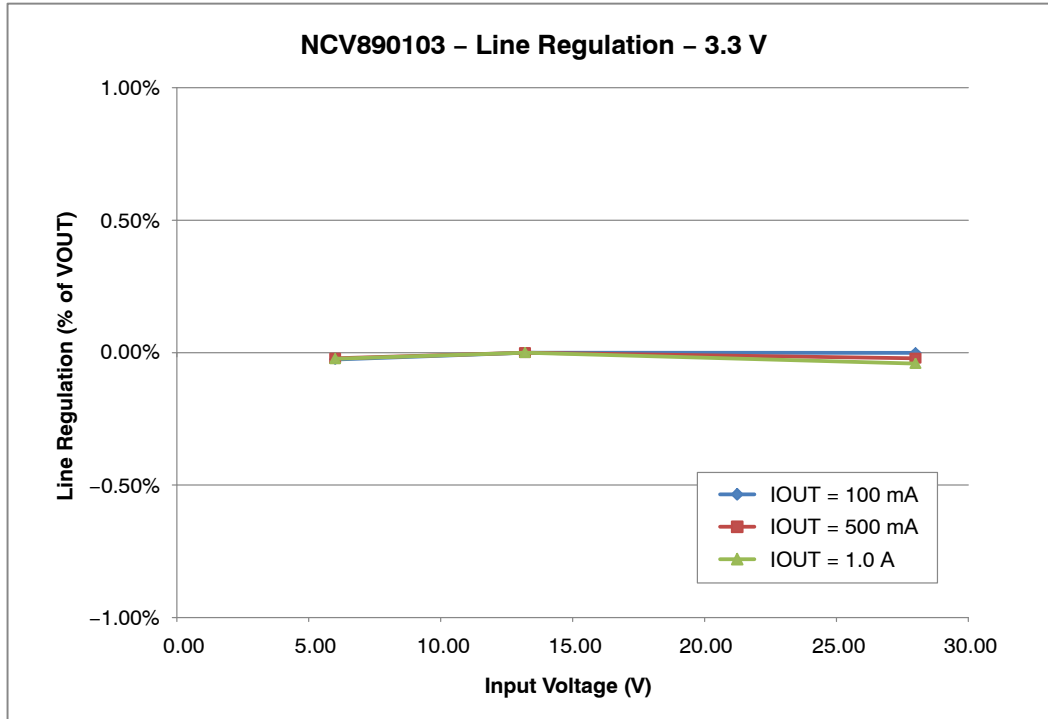


Figure 9. Line Regulation for a 3.3 V Output

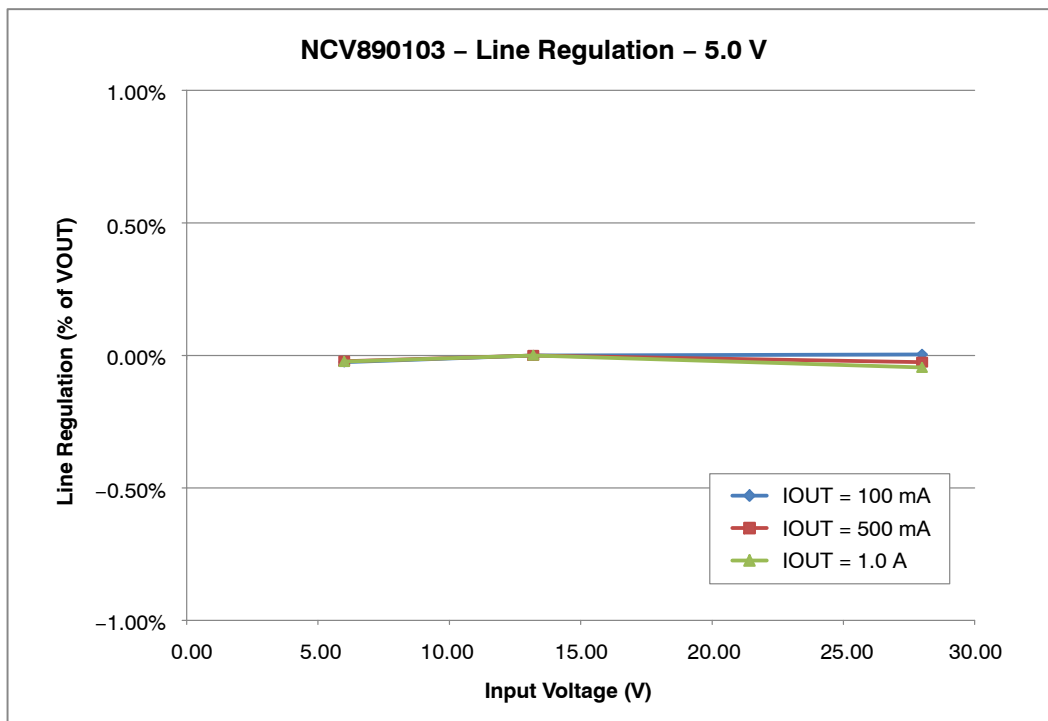


Figure 10. Line Regulation for a 5.0 V Output

NCV890103GEVB

Load Regulation

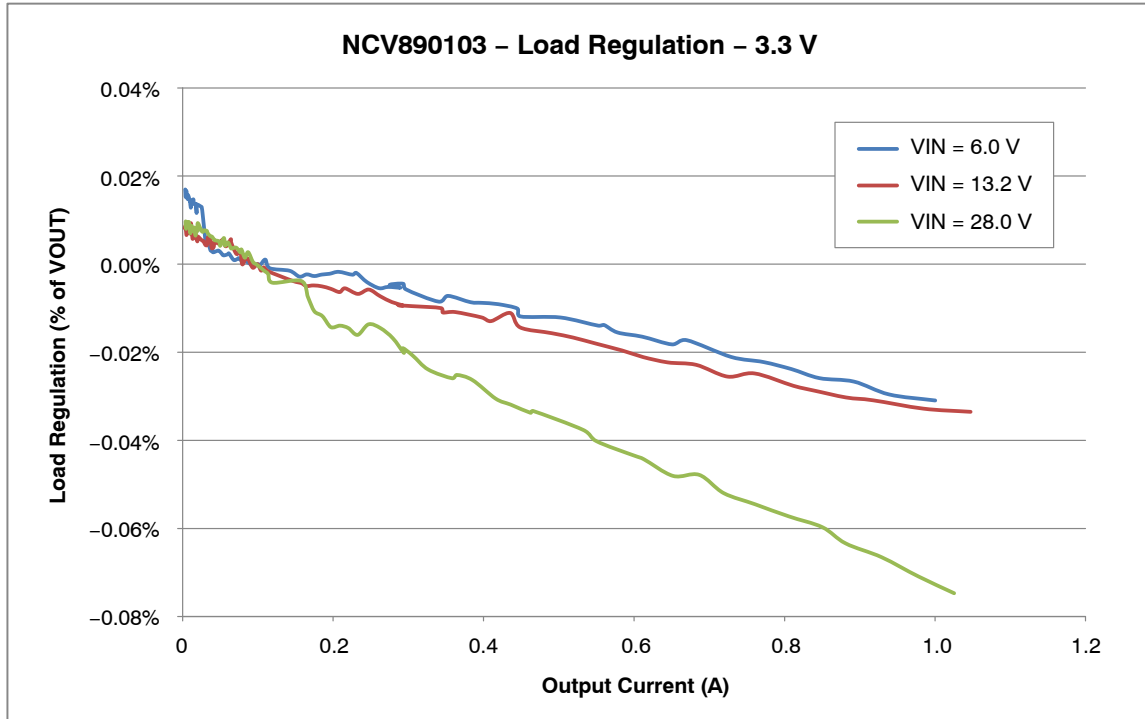


Figure 11. Load Regulation with a 3.3 V Output

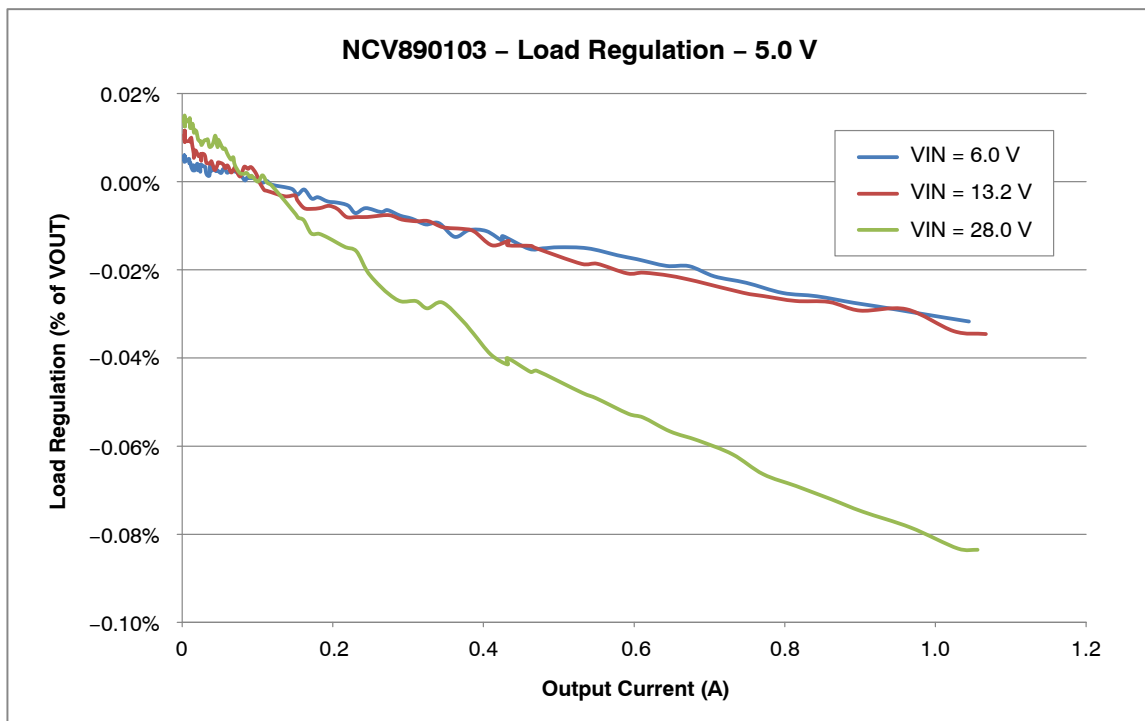


Figure 12. Load Regulation with a 5.0 V Output

NCV890103GEVB

SCHEMATIC

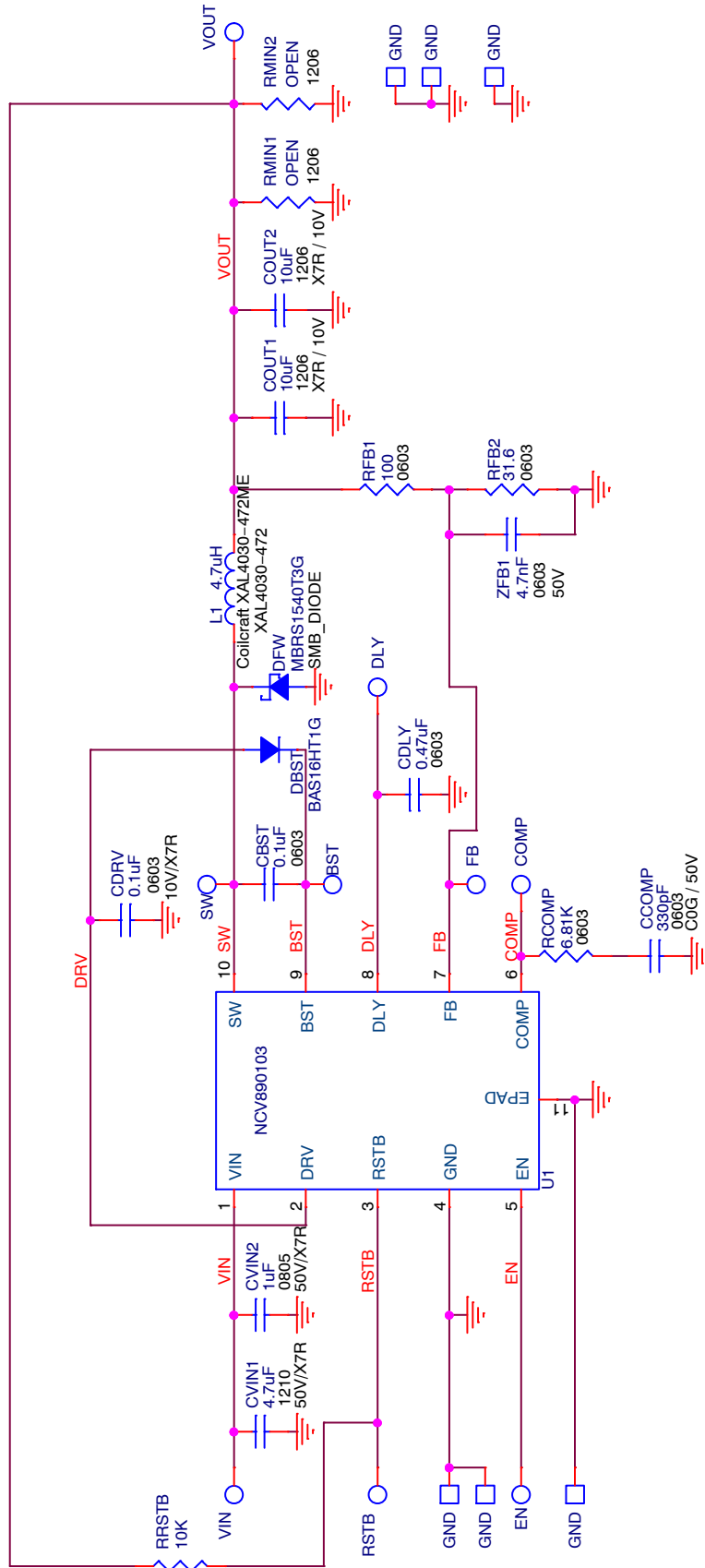


Figure 13. Schematic

NCV890103GEVB

PCB LAYOUT

NCV890103 Demo Board Rev. 1 – 04/15/14
TOP Layer

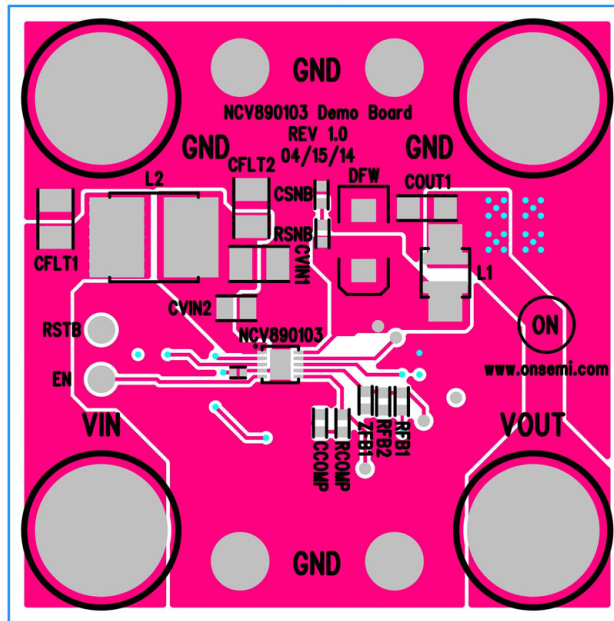


Figure 14. Top View

NCV890103 Demo Board Rev. 1 – 04/15/14
BOTTOM Layer (mirrored)

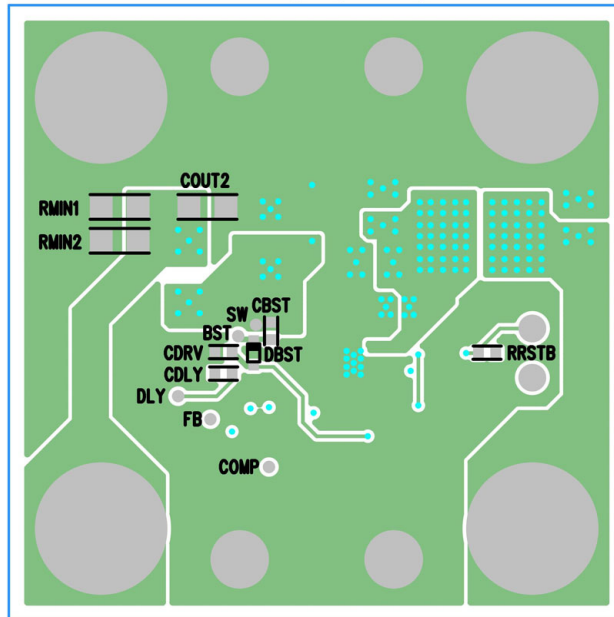


Figure 15. Bottom View

NCV890103GEVB

BILL OF MATERIALS

Table 4. BILL OF MATERIALS

| Reference Designator(s) | Qty. | Description | Value | Tolerance | Footprint | Manufacturer | Manufacturer's Part Number | Substitution Allowed |
|---|------|--|--------------------|-----------|-------------|--|----------------------------|----------------------|
| CBST, CDRV | 2 | CAP .10 μ F 10 V CERAMIC X7R 0603 | 0.1 μ F | 10% | 603 | Kemet | C0603C104K8RACTU | Yes |
| CCOMP | 1 | CAP CER 330 pF 50 V C0G 0603 | 330 pF | 10% | 603 | Murata Electronics North America | GCM1885C1H331JA16D | Yes |
| CDLY | 1 | CAP CER 0.47 μ F 25 V 10% X7R 0603 | 0.47 μ F | 10% | 603 | Murata Electronics North America | GCM188R71E474KA64D | Yes |
| CFLT1, CFLT2, CVIN1 | 3 | CAP CER 4.7 μ F 50 V 10% X7R 1210 | 4.7 μ F | 10% | 1210 | Murata Electronics North America | GRM32ER71H475KA88L | Yes |
| COUT1, COUT2 | 2 | CAP CER 10 μ F 10 V 10% X7R 1206 | 10 μ F | 10% | 1206 | Taiyo Yuden | LMK316AB7106KLHT | Yes |
| CVIN2 | 1 | CAP CER 1.0 μ F 50 V X5R 0805 | 1.0 μ F | 10% | 805 | Murata Electronics North America | UMK212BJ105KG-T | Yes |
| DBST | 1 | DIODE SWITCH 200 mA 75 V SOD323 | 75 V/0.2 A | N/A | SOD_323 | ON Semiconductor | BAS16HT1G | No |
| DFW | 1 | DIODE SCHOTTKY 4.0 A 40 V SMB | 40 V/4.0 A | N/A | SMB_DIODE | ON Semiconductor | NRVB440MFST1G | No |
| L1 | 1 | INDUCTOR POWER 4.7 μ H 4.5 A 20% SMD | 4.7 μ H | 4.5A | XAL4030-472 | Coilcraft | XAL4030-472ME | No |
| *L2 | 1 | RES 0.0 Ω 1/4 W JUMP 1206 SMD | 0 Ω | 5% | 1206 | Yageo | RC1206JR-070RL | Yes |
| RCOMP | 1 | RES 6.98 k Ω 1/10 W 1% 0603 SMD | 6.98 k Ω | 1% | 603 | Vishay/Dale | CRCW06036K98FKEA | Yes |
| RFB1 | 1 | RES 100 Ω 1/10 W 1% 0603 SMD | 100 Ω | 1% | 603 | Vishay/Dale | CRCW0603100RFKEA | Yes |
| RFB2 | 1 | RES 31.6 Ω 1/10 W 1% 0603 SMD | 31.6 Ω | 1% | 603 | Vishay/Dale | CRCW060331R6FKEA | Yes |
| RRSTB | 1 | RES 10.0 k Ω 1/10 W 1% 0603 SMD | 10.0 k Ω | 1% | 603 | Vishay/Dale | CRCW060310K0FKEA | Yes |
| ZFB1 | 1 | CAP CER 4700 pF 50 V 10% X7R 0603 | 4700 pF | 10% | 603 | Murata Electronics North America | GRM188R71H472KA01D | Yes |
| CSNB | 1 | | Do Not Populate | | 603 | | | Yes |
| RMIN1, RMIN2 | 2 | | Do Not Populate | | 1206 | | | Yes |
| RSNB | 1 | | Do Not Populate | | 603 | | | Yes |
| BST, COMP, DLY, FB, RDEP, RMOD, SW | 7 | CIRCUIT PIN PRNTD .020"D .425"L | Do Not Populate | N/A | TPA | Mill-Max Manufacturing Corp. | 3128-2-00-15-00-00-08-0 | Yes |
| GND1, GND2, VIN, VOUT | 4 | CONN JACK BANANA UNINS PANEL MOU | N/A | N/A | BANANA | Emerson Network Power Connectivity Solutions | 108-0740-001 | Yes |

NCV890103GEVB

Table 4. BILL OF MATERIALS (continued)

| Reference Designator(s) | Qty. | Description | Value | Tolerance | Footprint | Manufacturer | Manufacturer's Part Number | Substitution Allowed |
|-------------------------|------|---|-----------|-----------|------------|------------------------------|----------------------------|----------------------|
| GND3-GND6 | 4 | TERM SOLDER TURRET .219" .109"L | N/A | N/A | TURRET | Mill-Max Manufacturing Corp. | 2501-2-00-44-00-00-07-0 | Yes |
| EN, RSTB | 2 | PIN INBOARD .042" HOLE 1000/PKG | N/A | N/A | TP | Vector Electronics | K24C/M | Yes |
| NCV890103 | 1 | 1.2 A 2 MHz Automotive Buck Switching Regulator | NCV890103 | N/A | 10PINDFNP5 | ON Semiconductor | NCV890103MWTXG | No |

*L2 is a placeholder footprint for an optional input inductor filter component. Boards are shipped with a shorting jumper installed to complete the input path.

NOTE: All devices are RoHS Compliant.

onsemi, **Onsemi**, and other names, marks, and brands are registered and/or common law trademarks of Semiconductor Components Industries, LLC dba "**onsemi**" or its affiliates and/or subsidiaries in the United States and/or other countries. **onsemi** owns the rights to a number of patents, trademarks, copyrights, trade secrets, and other intellectual property. A listing of **onsemi**'s product/patent coverage may be accessed at www.onsemi.com/site/pdf/Patent-Marking.pdf. **onsemi** is an Equal Opportunity/Affirmative Action Employer. This literature is subject to all applicable copyright laws and is not for resale in any manner.

The evaluation board/kit (research and development board/kit) (hereinafter the "board") is not a finished product and is not available for sale to consumers. The board is only intended for research, development, demonstration and evaluation purposes and will only be used in laboratory/development areas by persons with an engineering/technical training and familiar with the risks associated with handling electrical/mechanical components, systems and subsystems. This person assumes full responsibility/liability for proper and safe handling. Any other use, resale or redistribution for any other purpose is strictly prohibited.

THE BOARD IS PROVIDED BY ONSEMI TO YOU "AS IS" AND WITHOUT ANY REPRESENTATIONS OR WARRANTIES WHATSOEVER. WITHOUT LIMITING THE FOREGOING, ONSEMI (AND ITS LICENSORS/SUPPLIERS) HEREBY DISCLAIMS ANY AND ALL REPRESENTATIONS AND WARRANTIES IN RELATION TO THE BOARD, ANY MODIFICATIONS, OR THIS AGREEMENT, WHETHER EXPRESS, IMPLIED, STATUTORY OR OTHERWISE, INCLUDING WITHOUT LIMITATION ANY AND ALL REPRESENTATIONS AND WARRANTIES OF MERCHANTABILITY, FITNESS FOR A PARTICULAR PURPOSE, TITLE, NON-INFRINGEMENT, AND THOSE ARISING FROM A COURSE OF DEALING, TRADE USAGE, TRADE CUSTOM OR TRADE PRACTICE.

onsemi reserves the right to make changes without further notice to any board.

You are responsible for determining whether the board will be suitable for your intended use or application or will achieve your intended results. Prior to using or distributing any systems that have been evaluated, designed or tested using the board, you agree to test and validate your design to confirm the functionality for your application. Any technical, applications or design information or advice, quality characterization, reliability data or other services provided by **onsemi** shall not constitute any representation or warranty by **onsemi**, and no additional obligations or liabilities shall arise from **onsemi** having provided such information or services.

onsemi products including the boards are not designed, intended, or authorized for use in life support systems, or any FDA Class 3 medical devices or medical devices with a similar or equivalent classification in a foreign jurisdiction, or any devices intended for implantation in the human body. You agree to indemnify, defend and hold harmless **onsemi**, its directors, officers, employees, representatives, agents, subsidiaries, affiliates, distributors, and assigns, against any and all liabilities, losses, costs, damages, judgments, and expenses, arising out of any claim, demand, investigation, lawsuit, regulatory action or cause of action arising out of or associated with any unauthorized use, even if such claim alleges that **onsemi** was negligent regarding the design or manufacture of any products and/or the board.

This evaluation board/kit does not fall within the scope of the European Union directives regarding electromagnetic compatibility, restricted substances (RoHS), recycling (WEEE), FCC, CE or UL, and may not meet the technical requirements of these or other related directives.

FCC WARNING – This evaluation board/kit is intended for use for engineering development, demonstration, or evaluation purposes only and is not considered by **onsemi** to be a finished end product fit for general consumer use. It may generate, use, or radiate radio frequency energy and has not been tested for compliance with the limits of computing devices pursuant to part 15 of FCC rules, which are designed to provide reasonable protection against radio frequency interference. Operation of this equipment may cause interference with radio communications, in which case the user shall be responsible, at its expense, to take whatever measures may be required to correct this interference.

onsemi does not convey any license under its patent rights nor the rights of others.

LIMITATIONS OF LIABILITY: **onsemi** shall not be liable for any special, consequential, incidental, indirect or punitive damages, including, but not limited to the costs of requalification, delay, loss of profits or goodwill, arising out of or in connection with the board, even if **onsemi** is advised of the possibility of such damages. In no event shall **onsemi**'s aggregate liability from any obligation arising out of or in connection with the board, under any theory of liability, exceed the purchase price paid for the board, if any.

The board is provided to you subject to the license and other terms per **onsemi**'s standard terms and conditions of sale. For more information and documentation, please visit www.onsemi.com.

ADDITIONAL INFORMATION

TECHNICAL PUBLICATIONS:

Technical Library: www.onsemi.com/design/resources/technical-documentation
onsemi Website: www.onsemi.com

ONLINE SUPPORT: www.onsemi.com/support

For additional information, please contact your local Sales Representative at www.onsemi.com/support/sales