

MOSFET – Power, Dual, N-Channel, for 1-2 Cells Lithium-ion Battery Protection

20 V, 4.7 mΩ, 23 A

EFC3J018NUZ

Introduction

This Power MOSFET features a low on-state resistance. This device is suitable for applications such as power switches of portable machines. Best suited for 1–2 cells lithium–ion battery applications.

Features

- 2.5 V Drive
- 2 kV ESD HBM
- Common-Drain Type
- ESD Diode-Protected Gate
- This Device is Pb-Free and Halide Free

Applications

- 1-2 Cells Lithium-ion Battery Charging and Discharging Switch

Specifications

ABSOLUTE MAXIMUM RATINGS (T_A = 25°C)

Parameter	Symbol	Value	Unit
Source to Source Voltage	V _{SSS}	20	V
Gate to Source Voltage	V _{GSS}	±12	V
Maximum Operating Gate to Source Voltage (Note 1)	V _{GSS(OP)}	±8	V
Source Current (DC)	I _S	23	A
Source Current (Pulse) PW ≤ 100 μs, duty cycle ≤ 1%	I _{SP}	100	A
Total Dissipation (Note 2)	P _T	2.5	W
Junction Temperature	T _j	150	°C
Storage Temperature	T _{stg}	-55 to +150	°C

Stresses exceeding those listed in the Maximum Ratings table may damage the device. If any of these limits are exceeded, device functionality should not be assumed, damage may occur and reliability may be affected.

1. Functional operation above the stresses listed in the recommended operating ranges is not implied. Extended exposure to stresses beyond the recommended operating ranges limits may affect device reliability.

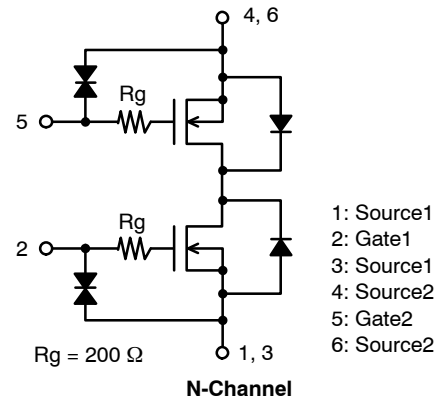
THERMAL RESISTANCE RATINGS

Parameter	Symbol	Value	Unit
Junction to Ambient (Note 2)	R _{θJA}	50	°C/W

2. Surface mounted on ceramic substrate (5000 mm² × 0.8 mm).

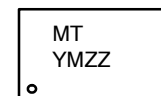
V _{SSS}	R _{SS(ON)} MAX	I _S MAX
20 V	4.7 mΩ @ 4.5 V	23 A
	4.75 mΩ @ 4.0 V	
	4.9 mΩ @ 3.8 V	
	5.4 mΩ @ 3.1 V	
	9.0 mΩ @ 2.5 V	

ELECTRICAL CONNECTION



WLCSP6, 1.77 × 3.05
CASE 567KS

MARKING DIAGRAM



- MT = Specific Device Code
- Y = Year
- M = Month
- ZZ = Assembly Lot Number

ORDERING INFORMATION

See detailed ordering and shipping information on page 6 of this data sheet.

EFC3J018NUZ

ELECTRICAL CHARACTERISTICS ($T_A = 25^\circ\text{C}$) (Note 3)

Parameter	Symbol	Conditions	Min	Typ	Max	Unit
Source to Source Breakdown Voltage	$V_{(BR)SSS}$	$I_S = 1 \text{ mA}, V_{GS} = 0 \text{ V}$ (Figure 1)	20	-	-	V
Zero-Gate Voltage Source Current	I_{SSS}	$V_{SS} = 20 \text{ V}, V_{GS} = 0 \text{ V}$ (Figure 1)	-	-	1	μA
Gate to Source Leakage Current	I_{GSS}	$V_{GS} = \pm 8 \text{ V}, V_{SS} = 0 \text{ V}$ (Figure 2)	-	-	± 1	μA
Gate Threshold Voltage	$V_{GS(th)}$	$V_{SS} = 10 \text{ V}, I_S = 1 \text{ mA}$ (Figure 3)	0.5	-	1.3	V
Static Source to Source On-State Resistance	$R_{SS(on)}$	$I_S = 5 \text{ A}, V_{GS} = 4.5 \text{ V}$ (Figure 4)	2.5	3.6	4.7	$\text{m}\Omega$
		$I_S = 5 \text{ A}, V_{GS} = 4.0 \text{ V}$ (Figure 4)	2.56	3.65	4.75	$\text{m}\Omega$
		$I_S = 5 \text{ A}, V_{GS} = 3.8 \text{ V}$ (Figure 4)	2.6	3.75	4.9	$\text{m}\Omega$
		$I_S = 5 \text{ A}, V_{GS} = 3.1 \text{ V}$ (Figure 4)	2.9	4.15	5.4	$\text{m}\Omega$
		$I_S = 5 \text{ A}, V_{GS} = 2.5 \text{ V}$ (Figure 4)	3.3	4.75	9.0	$\text{m}\Omega$
Turn-ON Delay Time	$t_{d(on)}$	$V_{SS} = 10 \text{ V}, V_{GS} = 4.5 \text{ V}, I_S = 3 \text{ A}$ (Figure 5)	-	280	-	ns
Rise Time	t_r		-	890	-	ns
Turn-OFF Delay Time	$t_{d(off)}$		-	4100	-	ns
Fall Time	t_f		-	2800	-	ns
Total Gate Charge	Qg	$V_{SS} = 10 \text{ V}, V_{GS} = 4.5 \text{ V}, I_S = 23 \text{ A}$ (Figure 6)	-	75	-	nC
Forward Source to Source Voltage	$V_{F(S-S)}$	$I_S = 3 \text{ A}, V_{GS} = 0 \text{ V}$ (Figure 7)	-	0.74	1.2	V

Product parametric performance is indicated in the Electrical Characteristics for the listed test conditions, unless otherwise noted. Product performance may not be indicated by the Electrical Characteristics if operated under different conditions.

3. Refer to the JIS 7030 measuring methods for transistors for measuring.

Test Circuits are Example of Measuring FET1 Side

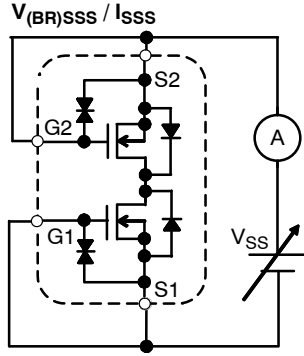


Figure 1. Test Circuit 1

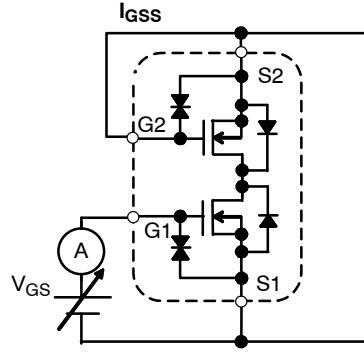


Figure 2. Test Circuit 2

When FET1 is measured, Gate and Source of FET2 are short-circuited.

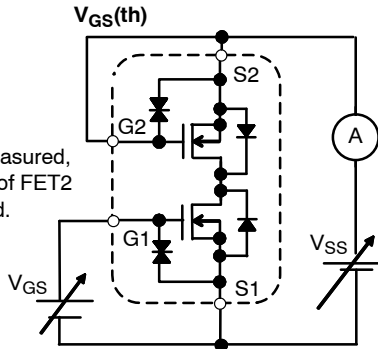


Figure 3. Test Circuit 3

When FET1 is measured, Gate and Source of FET2 are short-circuited.

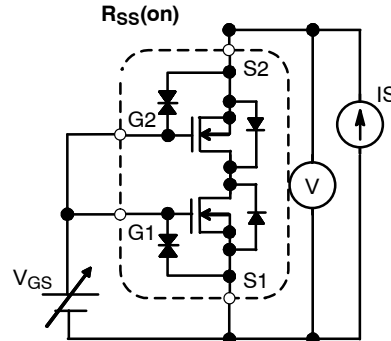


Figure 4. Test Circuit 4

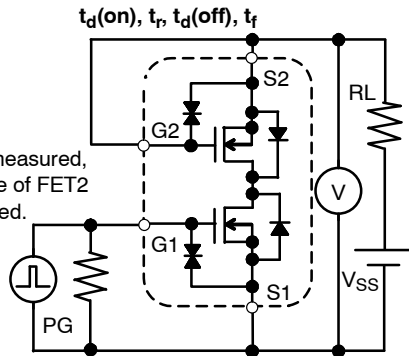


Figure 5. Test Circuit 5

When FET1 is measured, Gate and Source of FET2 are short-circuited.

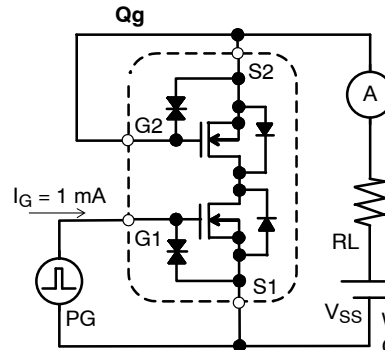


Figure 6. Test Circuit 6

When FET1 is measured, Gate and Source of FET2 are short-circuited.

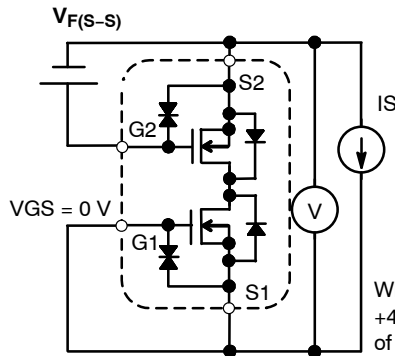


Figure 7. Test Circuit 7

When FET1 is measured, +4.5 V is added to V_{GS} of FET2.

NOTE: When FET2 is measured, the position of FET1 and FET2 is switched.

EFC3J018NUZ

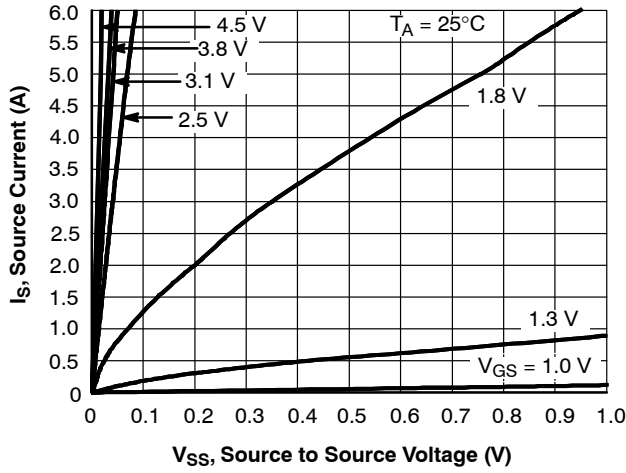


Figure 8. $I_S - V_{SS}$

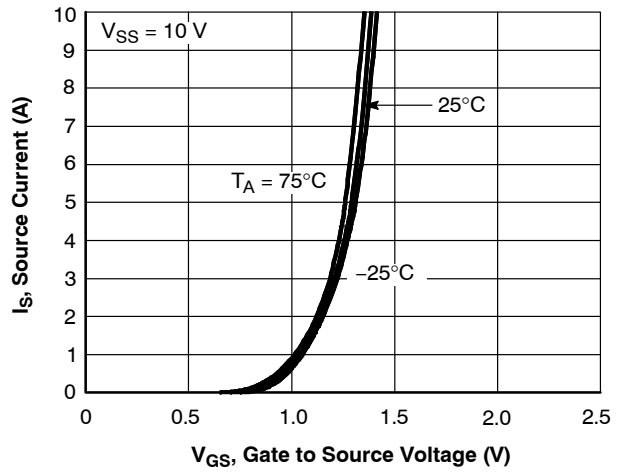


Figure 9. $I_S - V_{GS}$

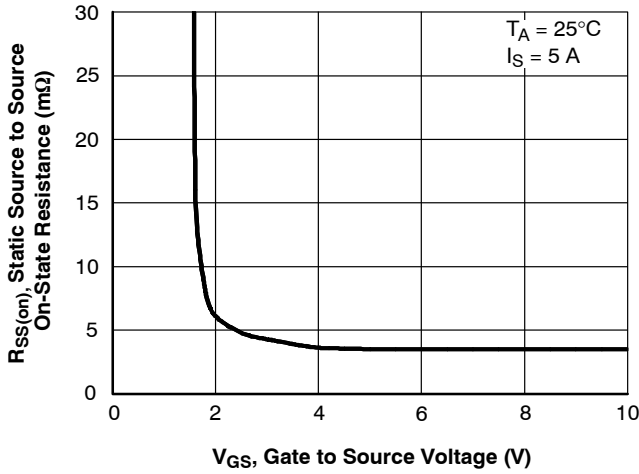


Figure 10. $R_{SS(on)} - V_{GS}$

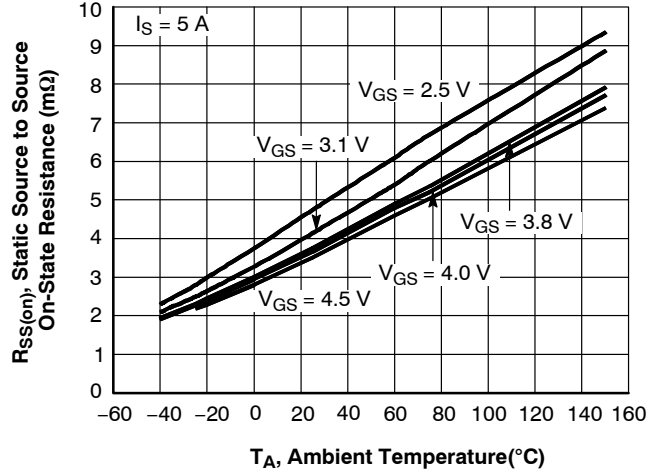


Figure 11. $R_{SS(on)} - T_A$

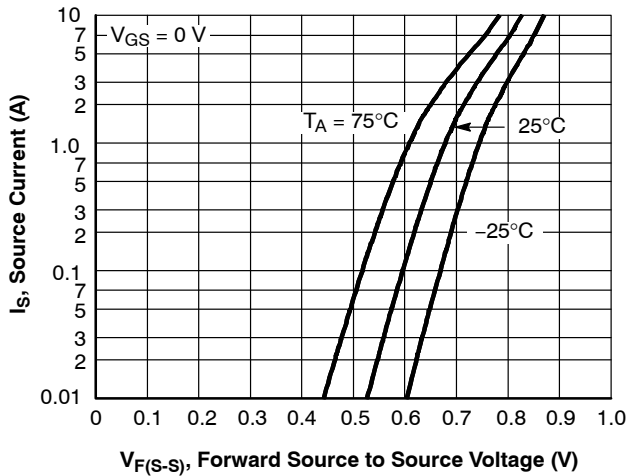


Figure 12. $I_S - V_{F(S-S)}$

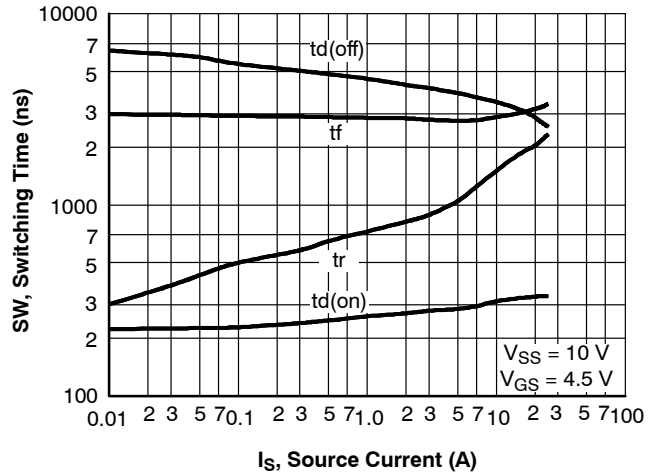


Figure 13. SW Time - I_S

EFC3J018NUZ

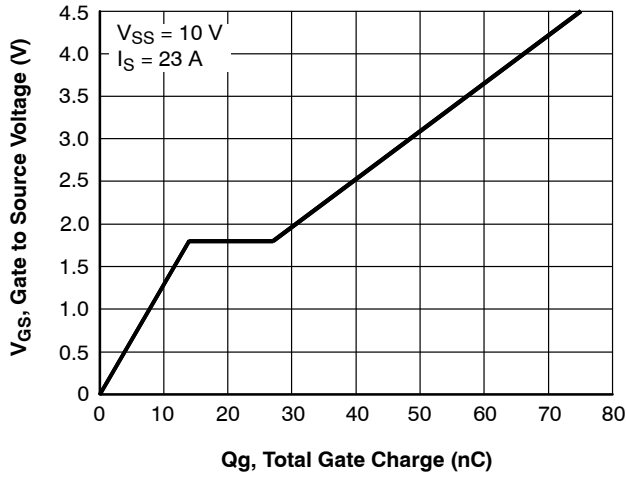


Figure 14. $V_{GS} - Q_g$

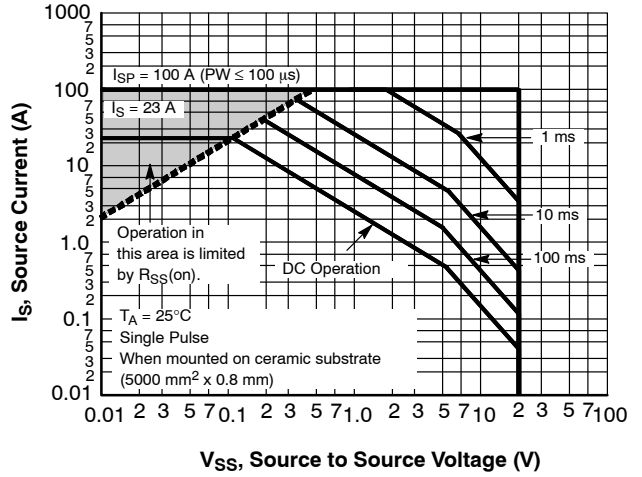


Figure 15. SOA

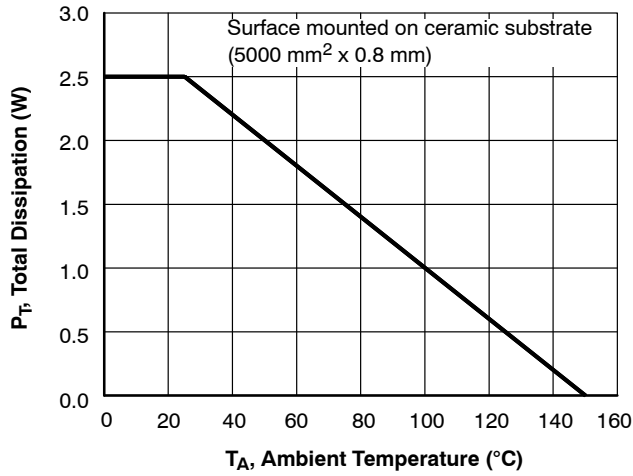


Figure 16. $P_T - T_a$

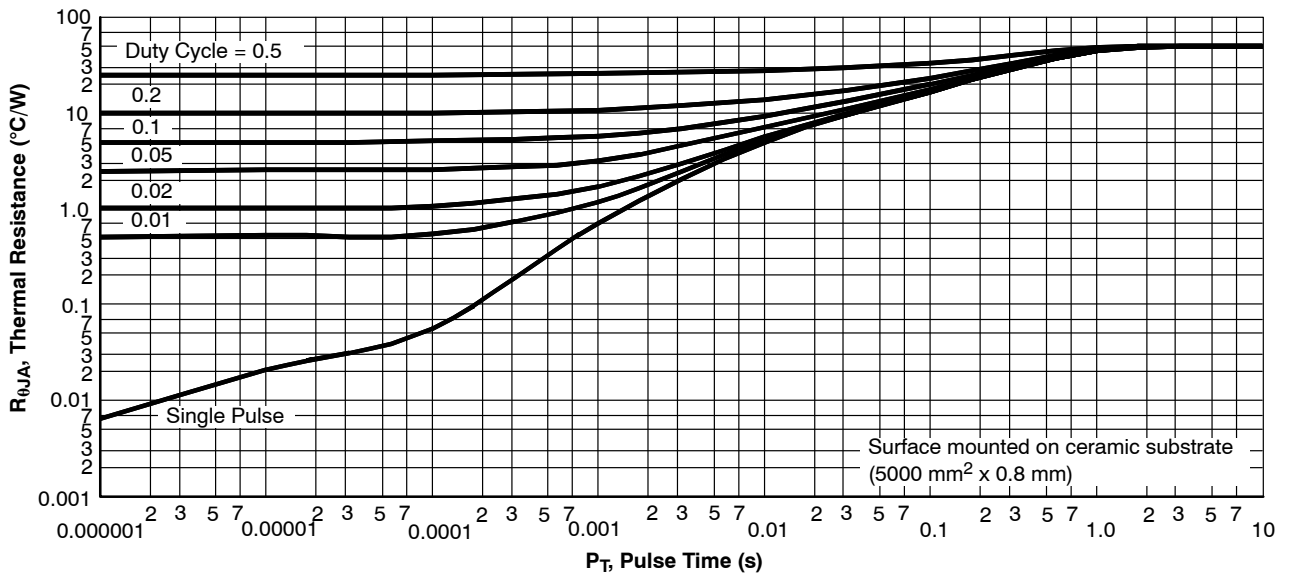


Figure 17. $R_{\theta JA} - \text{Pulse Time}$

EFC3J018NUZ

ORDERING INFORMATION

Device	Marking	Package	Shipping [†] (Qty / Packing)
EFC3J018NUZTDG	MT	WLCSP6, 1.77 × 3.05 (Pb-Free / Halide Free)	5000 / Tape & Reel

†For information on tape and reel specifications, including part orientation and tape sizes, please refer to our Tape and Reel Packaging Specifications Brochure, [BRD8011/D](#).

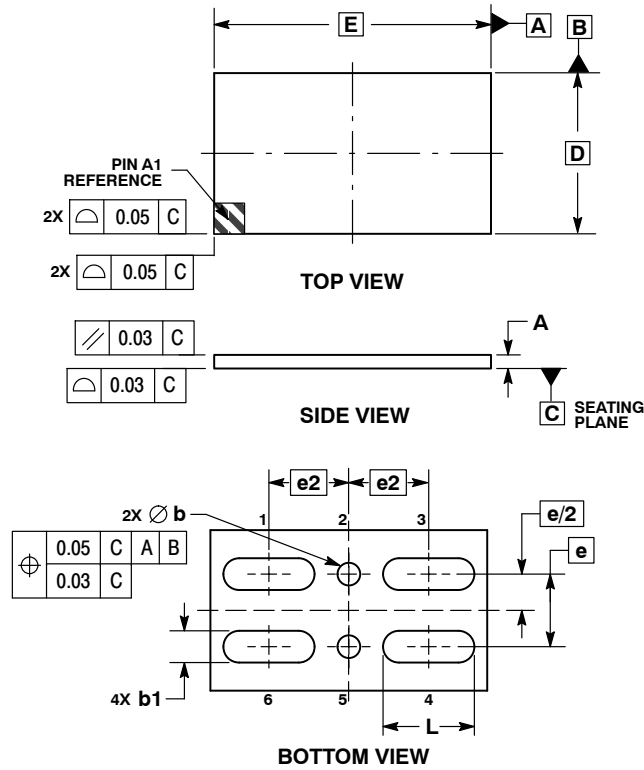
Note on usage: Since the EFC3J018NUZ is a MOSFET product, please avoid using this device in the vicinity of highly charged objects. Please contact sales for use except the designated application.



SCALE 4:1

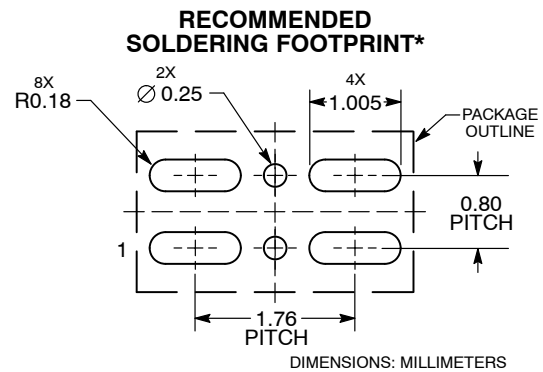
WLCSP6, 1.77x3.05
CASE 567KS
ISSUE O

DATE 29 OCT 2014



- NOTES:
1. DIMENSIONING AND TOLERANCING PER ASME Y14.5M, 1994.
 2. CONTROLLING DIMENSION: MILLIMETERS.

DIM	MILLIMETERS	
	MIN	MAX
A	---	0.145
b	0.22	0.28
b1	0.32	0.38
D	1.77 BSC	
E	3.05 BSC	
e	0.80 BSC	
e2	0.8775 BSC	
L	0.975	1.035



*For additional information on our Pb-Free strategy and soldering details, please download the ON Semiconductor Soldering and Mounting Techniques Reference Manual, SOLDERRM/D.

DOCUMENT NUMBER:	98AON92329F	Electronic versions are uncontrolled except when accessed directly from the Document Repository. Printed versions are uncontrolled except when stamped "CONTROLLED COPY" in red.
DESCRIPTION:	WLCSP6, 1.77X3.05	PAGE 1 OF 1

onsemi and ONSEMI are trademarks of Semiconductor Components Industries, LLC dba onsemi or its subsidiaries in the United States and/or other countries. onsemi reserves the right to make changes without further notice to any products herein. onsemi makes no warranty, representation or guarantee regarding the suitability of its products for any particular purpose, nor does onsemi assume any liability arising out of the application or use of any product or circuit, and specifically disclaims any and all liability, including without limitation special, consequential or incidental damages. onsemi does not convey any license under its patent rights nor the rights of others.

onsemi, **Onsemi**, and other names, marks, and brands are registered and/or common law trademarks of Semiconductor Components Industries, LLC dba "**onsemi**" or its affiliates and/or subsidiaries in the United States and/or other countries. **onsemi** owns the rights to a number of patents, trademarks, copyrights, trade secrets, and other intellectual property. A listing of **onsemi**'s product/patent coverage may be accessed at www.onsemi.com/site/pdf/Patent-Marking.pdf. **onsemi** reserves the right to make changes at any time to any products or information herein, without notice. The information herein is provided "as-is" and **onsemi** makes no warranty, representation or guarantee regarding the accuracy of the information, product features, availability, functionality, or suitability of its products for any particular purpose, nor does **onsemi** assume any liability arising out of the application or use of any product or circuit, and specifically disclaims any and all liability, including without limitation special, consequential or incidental damages. Buyer is responsible for its products and applications using **onsemi** products, including compliance with all laws, regulations and safety requirements or standards, regardless of any support or applications information provided by **onsemi**. "Typical" parameters which may be provided in **onsemi** data sheets and/or specifications can and do vary in different applications and actual performance may vary over time. All operating parameters, including "Typicals" must be validated for each customer application by customer's technical experts. **onsemi** does not convey any license under any of its intellectual property rights nor the rights of others. **onsemi** products are not designed, intended, or authorized for use as a critical component in life support systems or any FDA Class 3 medical devices or medical devices with a same or similar classification in a foreign jurisdiction or any devices intended for implantation in the human body. Should Buyer purchase or use **onsemi** products for any such unintended or unauthorized application, Buyer shall indemnify and hold **onsemi** and its officers, employees, subsidiaries, affiliates, and distributors harmless against all claims, costs, damages, and expenses, and reasonable attorney fees arising out of, directly or indirectly, any claim of personal injury or death associated with such unintended or unauthorized use, even if such claim alleges that **onsemi** was negligent regarding the design or manufacture of the part. **onsemi** is an Equal Opportunity/Affirmative Action Employer. This literature is subject to all applicable copyright laws and is not for resale in any manner.

ADDITIONAL INFORMATION

TECHNICAL PUBLICATIONS:

Technical Library: www.onsemi.com/design/resources/technical-documentation
onsemi Website: www.onsemi.com

ONLINE SUPPORT: www.onsemi.com/support

For additional information, please contact your local Sales Representative at www.onsemi.com/support/sales