

ON Semiconductor

Is Now

onsemi™

To learn more about onsemi™, please visit our website at
www.onsemi.com

onsemi and **onsemi** and other names, marks, and brands are registered and/or common law trademarks of Semiconductor Components Industries, LLC dba "**onsemi**" or its affiliates and/or subsidiaries in the United States and/or other countries. **onsemi** owns the rights to a number of patents, trademarks, copyrights, trade secrets, and other intellectual property. A listing of **onsemi** product/patent coverage may be accessed at www.onsemi.com/site/pdf/Patent-Marking.pdf. **onsemi** reserves the right to make changes at any time to any products or information herein, without notice. The information herein is provided "as-is" and **onsemi** makes no warranty, representation or guarantee regarding the accuracy of the information, product features, availability, functionality, or suitability of its products for any particular purpose, nor does **onsemi** assume any liability arising out of the application or use of any product or circuit, and specifically disclaims any and all liability, including without limitation special, consequential or incidental damages. Buyer is responsible for its products and applications using **onsemi** products, including compliance with all laws, regulations and safety requirements or standards, regardless of any support or applications information provided by **onsemi**. "Typical" parameters which may be provided in **onsemi** data sheets and/or specifications can and do vary in different applications and actual performance may vary over time. All operating parameters, including "Typicals" must be validated for each customer application by customer's technical experts. **onsemi** does not convey any license under any of its intellectual property rights nor the rights of others. **onsemi** products are not designed, intended, or authorized for use as a critical component in life support systems or any FDA Class 3 medical devices or medical devices with a same or similar classification in a foreign jurisdiction or any devices intended for implantation in the human body. Should Buyer purchase or use **onsemi** products for any such unintended or unauthorized application, Buyer shall indemnify and hold **onsemi** and its officers, employees, subsidiaries, affiliates, and distributors harmless against all claims, costs, damages, and expenses, and reasonable attorney fees arising out of, directly or indirectly, any claim of personal injury or death associated with such unintended or unauthorized use, even if such claim alleges that **onsemi** was negligent regarding the design or manufacture of the part. **onsemi** is an Equal Opportunity/Affirmative Action Employer. This literature is subject to all applicable copyright laws and is not for resale in any manner. Other names and brands may be claimed as the property of others.

CM1771

Advance Information

1-Channel ESD Protector

Product Description

The CM1771 provides robust ESD protection for sensitive parts that may be subjected to electrostatic discharge (ESD). The tiny form factor means it can be used in very confined spaces. The electrical 'back-to-back Zener' configuration provides symmetrical ESD protection in cases where nodes with AC signals are present. This device is designed and characterized to safely dissipate ESD strikes of at least ± 3 kV, according to the MIL-STD-883 (Method 3015) specification for Human Body Model (HBM) ESD.

Features

- Compact Die Protects from ESD Discharges
- Almost no Conduction at Signal Amplitudes less than +85 V
- ESD Protection to over ± 6 kV Contact Discharge per MIL_STD_883 International ESD Standard
- ESD Protection to over ± 3 kV Contact Discharge per IEC61000-4-2 Standard
- These Devices are Pb-Free and are RoHS Compliant

Applications

- LED Lighting
- Modules
- Interface Circuits



ON Semiconductor®

<http://onsemi.com>

ELECTRICAL SCHEMATIC

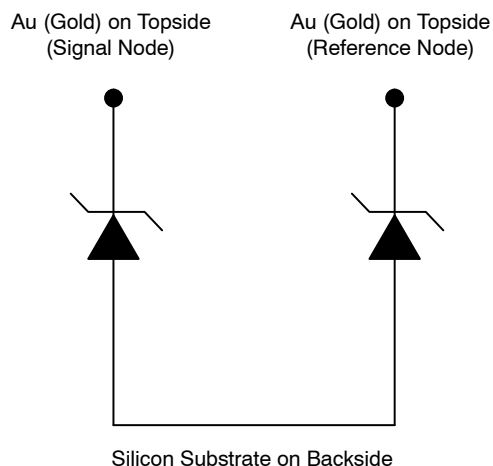


Table 1. ORDERING INFORMATION†

Part Numbering Information					
Ordering Part Number	Topside Metal	Back Metal	BG Thickness	Inking?	Shipping Method
CM1771-5006YL	Gold (Au)	None (silicon Substrate)	6 mils	N	Wafer Jar

NOTE: Contact your sales representative for other ordering options.

This document contains information on a new product. Specifications and information herein are subject to change without notice.

CM1771

SPECIFICATIONS

Table 2. OPERATING CONDITIONS

Parameter	Rating	Units
Operating Temperature Range	-40 to +150	°C
Storage Temperature Range	-55 to +150	°C

Table 3. ELECTRICAL OPERATING CHARACTERISTICS

Symbol	Parameter	Conditions	Min	Typ	Max	Units
I_{LEAK}	Leakage Current	$V = +85\text{ V}$, $T_A = 25^\circ\text{C}$			1.0	μA
V_{BD}	Breakdown Voltage on Signal Node Positive polarity on Signal Node Negative polarity on Signal Node	$T_A = 25^\circ\text{C}$ at 1.0 mA (I_{CL+}) at -1.0 mA (I_{CL-})	+90 -80	+100	+110 -60	V
V_{ESD}	ESD Voltage Rating Contact Discharge per Human Body Model, MIL-STD-883 (Method 3015) Contact Discharge per IEC61000-4-2 Standard	(Notes 1 and 2)	± 6 ± 3			kV

- Per the standard, 3 positive and 3 negative strikes are applied, one second apart.
- V_{ESD} is the ESD capability for the protection device only.

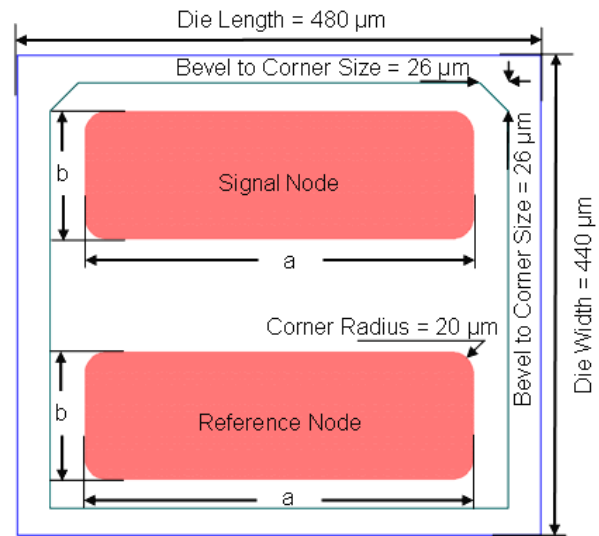
MECHANICAL DETAILS

Table 4. MECHANICAL SPECIFICATIONS (Note 1)

Parameter	Condition	Unit
Composition	Silicon Wafer, P+ doped	
Die Shape	Rectangular	
Length (Sawn)	480 ± 10	μm
Width (Sawn)	440 ± 10	μm
BG Thickness	6	mils
Top Pad Length (a)	356	μm
Top Pad Width (b)	117	μm
Top Pads Spacing	103	μm
Top Pad Composition	Au (Gold)	
Top Pad Thickness	3	μm
Back Metal (Underside)	None (silicon Substrate)	

- Dimensions are typical values if tolerances are not specified.

SAWN DIE DIAGRAM



Package Dimensions

ON Semiconductor and  are registered trademarks of Semiconductor Components Industries, LLC (SCILLC). SCILLC reserves the right to make changes without further notice to any products herein. SCILLC makes no warranty, representation or guarantee regarding the suitability of its products for any particular purpose, nor does SCILLC assume any liability arising out of the application or use of any product or circuit, and specifically disclaims any and all liability, including without limitation special, consequential or incidental damages. "Typical" parameters which may be provided in SCILLC data sheets and/or specifications can and do vary in different applications and actual performance may vary over time. All operating parameters, including "Typicals" must be validated for each customer application by customer's technical experts. SCILLC does not convey any license under its patent rights nor the rights of others. SCILLC products are not designed, intended, or authorized for use as components in systems intended for surgical implant into the body, or other applications intended to support or sustain life, or for any other application in which the failure of the SCILLC product could create a situation where personal injury or death may occur. Should Buyer purchase or use SCILLC products for any such unintended or unauthorized application, Buyer shall indemnify and hold SCILLC and its officers, employees, subsidiaries, affiliates, and distributors harmless against all claims, costs, damages, and expenses, and reasonable attorney fees arising out of, directly or indirectly, any claim of personal injury or death associated with such unintended or unauthorized use, even if such claim alleges that SCILLC was negligent regarding the design or manufacture of the part. SCILLC is an Equal Opportunity/Affirmative Action Employer. This literature is subject to all applicable copyright laws and is not for resale in any manner.

PUBLICATION ORDERING INFORMATION

LITERATURE FULFILLMENT:

Literature Distribution Center for ON Semiconductor
P.O. Box 5163, Denver, Colorado 80217 USA
Phone: 303-675-2175 or 800-344-3860 Toll Free USA/Canada
Fax: 303-675-2176 or 800-344-3867 Toll Free USA/Canada
Email: orderlit@onsemi.com

N. American Technical Support: 800-282-9855 Toll Free
USA/Canada
Europe, Middle East and Africa Technical Support:
Phone: 421 33 790 2910
Japan Customer Focus Center
Phone: 81-3-5817-1050

ON Semiconductor Website: www.onsemi.com
Order Literature: <http://www.onsemi.com/orderlit>
For additional information, please contact your local
Sales Representative