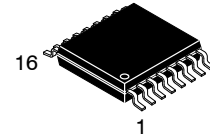


# Inductive Position Sensor Interface

## NCV77320



TSSOP-16  
CASE 948F-01

### Introduction

The NCV77320 is a single-chip inductive position sensor interface that, in combination with a *PCB*, forms a system that measures angular or linear positions accurately.

The operating principle of the inductive sensor is based on mutual inductance. The chip contains an excitation source, which generates an AC magnetic field through a primary coil on the PCB. The field mutually couples to the rotor. The rotor on its turn induces voltages in secondary coils. These voltages, measured by the chip, depend on the rotor position and give a measure for the position.

The NCV77320 contains 3 interfaces: A single ended analog output, a SENT interface with fast and slow channel and a SPI channel for direct interconnection to a micro controller.

The analog output is proportionally ratio metric with the supply voltage.

The NCV77320 has several fault detection circuitries. When a fault is detected, fault flags are set and available for readout. In case the analog output is used, OUT pin is put to HiZ and its voltage goes to fail band close to GND or VCC based on the pull-up or pull-down resistor assembled.

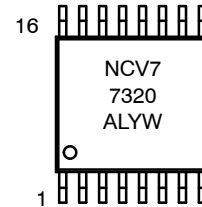
To address automotive functional safety, different kind of topologies can be implemented, e.g.:

- Two devices with independent supplies. There is no galvanic connection between the ICs. Each IC drives its own excitation coil and measures its own set of receiver coils.
- Two devices with their own supply but with a shared excitation coil connected to both ICs.

### Features

- Integrated DSP Position Calculation with Flexible 15 Point Linearization
- Diagnostics, Including for Missing Wire / Wire Misconnection Tolerant
- Analog Output or SENT Output Configurable
- Temperature Sensor Embedded
- SPI Watchdog Feature
- Supply Voltage 5 V; -15 V to 30 V Tolerant Robustness
- Flexible SPI Operation with 3.3 V or 5 V Micro Controllers
- Maximum Rotational Speed of 10800 rpm
- Operating Ambient Temperature -40 to 150°C
- Developed According to the Automotive Safety Standard ISO26262
- These Devices are Pb-Free, Halogen Free/BFR Free and are RoHS Compliant

### MARKING DIAGRAM



NCV77320 = Specific Device Code  
A = Assembly Site  
L = Wafer Lot Number  
YW = Assembly Start Week

### ORDERING INFORMATION

Device	Package	Shipping <sup>†</sup>
NCV77320DB0R2G	TSSOP-16	4000 / Tape & Reel

<sup>†</sup>For information on tape and reel specifications, including part orientation and tape sizes, please refer to our Tape and Reel Packaging Specifications Brochure, BRD8011/D.

### Typical Applications

- Angular Position Sensors Up to 360°, e.g. Pedal Position, Throttle Position, Chassis Height, Actuators Position Feedback etc.
- Linear Position Sensors, e.g. Lever Position, Linear Actuator, Level Sensors etc.

# NCV77320

## QUICK REFERENCE DATA

**Table 1. MAXIMUM RATINGS** (Voltages are referred to the device ground GND and are DC level)

Rating	Min	Max	Unit
Power Supply VCC	-15	30	V
SPI Power Supply VIO	-0.3	6	V
Analog Output	-15	30	V
SPI Inputs	-0.3	VIO + 0.3 V, 6 V absolute	V
SPI Output	-0.3	VIO + 0.3 V, 6 V absolute	V
Storage Temperature, T <sub>STG</sub>	-55	160	°C
Junction Temperature (Note 1)	-40	170	°C
Peak Reflow Soldering Temperature: Pb-Free, 60 to 150 Seconds at 217°C (Note 2)	-	265 peak	°C
HBM Electrostatic Discharge Voltage	-2	+2	kV
CDM Electrostatic Discharge Voltage; Corner Pins	-750	+750	V
CDM Electrostatic Discharge Voltage; All Other Pins	-500	+500	V

Stresses exceeding those listed in the Maximum Ratings table may damage the device. If any of these limits are exceeded, device functionality should not be assumed, damage may occur and reliability may be affected.

1. For limited time during the operational lifetime, based on the mission profile.
2. For additional information, see or download **onsemi's** Soldering and Mounting Techniques Reference Manual, SOLDERRM/D, and Application Note [AND8003/D](#).

## RECOMMENDED OPERATING RANGES

**Table 2. RECOMMENDED OPERATING CONDITIONS**

Symbol	Parameter	Min	Max	Unit
VCC	Power Supply	4.5	5.5	V
VIO	SPI Interface Power Supply	3.0	5.5	V
TST	Digital Inputs for Test Mode / to be Tied to GND for Normal Operation	-0.3	0.3	V
SPI_SI, SPI_CS, SPI_CLK	SPI Inputs	-0.3	5.5	V
T <sub>J</sub>	Junction operating temperature (Note 3)	-40	170	°C

Functional operation above the stresses listed in the Recommended Operating Ranges is not implied. Extended exposure to stresses beyond the Recommended Operating Ranges limits may affect device reliability.

3. A mission profile describes the application specific conditions such as, but not limited to, the cumulative operating conditions over lifetime, the system's environmental conditions and the thermal design of the customer's system.

# NCV77320

## APPLICATIONS

The NCV77320 is an inductive position sensor interface that is suited for applications where a contactless angular or linear position has to be measured with high accuracy.

Figure 1 to Figure 3 give simplified application diagrams of the NCV77320 in single chip operation. Table 3 gives the parameters for system level operation.

**Table 3. SYSTEM PARAMETERS**

Symbol	Parameter	Conditions	Min	Typ	Max	Unit
ICC_A	Current Consumption with Active Primary Coil Driven. Analog Output Operation without SPI.	VCC = 5.5 V (Note 4)	-	-	11	mA
ICC_SENT	Current Consumption with Active Primary Coil Driven. SENT Output Operation without SPI.	VCC = 5.5 V (Note 4)	-	-	12.5	mA
ICC_SPI	Current Consumption with Active Primary Coil Driven. SPI Operation.	VCC = 5.5 V, VIO 5.5 V (Note 4)	-	-	9.5	mA
IDD_SPI_VIO	Current Consumption in VIO Pin with Active Primary Coil Driven. SPI Operation Idle.	VCC = 5.5 V, VIO 5.5 V SPI communication idle (Note 4)	-	-	100	µA
V_MAX	Angular Speed (Electrical)		-	-	180	Rps
POS_ACC	Static Position Linearity Error (Excluding the Sensor)	V_REC > 4 mV (Note 5, 8)	-	-	0.15	% FS
POS_NOISE	Output Position rms Noise	V_REC = 4 mV (Note 6, 7, 8)	-	0.02	-	% FS
POS_RES	Static Position Resolution Expressed as Effective Number of Bits (ENOB)	(Note 8)	-	14.5	-	Bit
POS_DLY	Delay Time between Average Input Position to DSP Output		-	100	-	µs
t_PER	Position DSP Update Rate		-	216	-	µs
t_INIT	Power On Time		-	-	2	ms

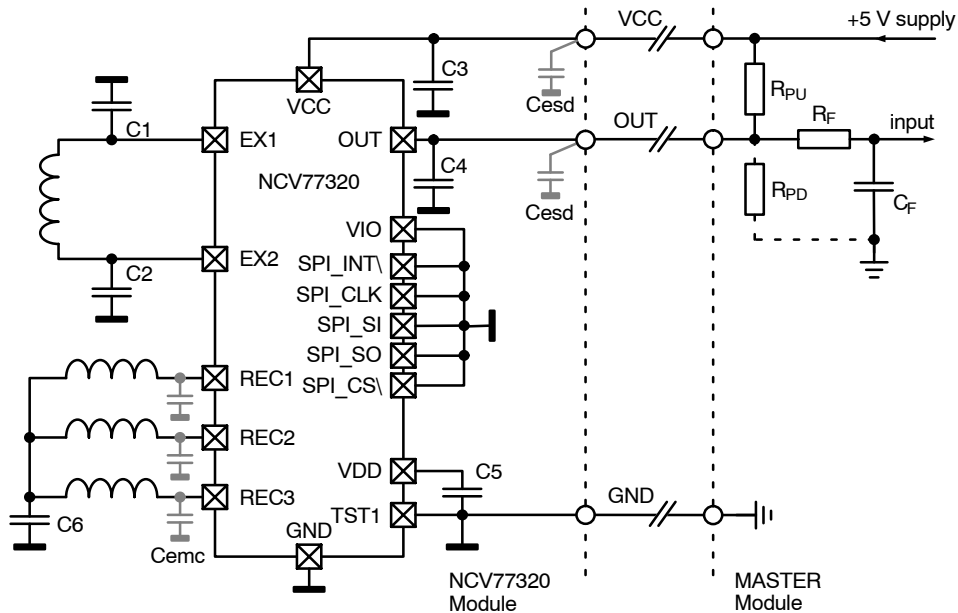
4. Values based on design and characterization, not tested in production

5. Not including error of Analogue driver

6. Analogue driver – OUT rms noise is reduced by factor  $\sqrt{t\_PER / (2 * R_F * C_F)}$  for  $R_F * C_F > 0.2$  ms

7. Noise is inversely proportional to input voltage V\_REC. RMS noise level = POS\_NOISE \* V\_REC / 4 mV

8. PWL correction table set to slope equal to gain = 1



**Figure 1. NCV77320 Single Chip Application Diagram with Analog Output**

# NCV77320

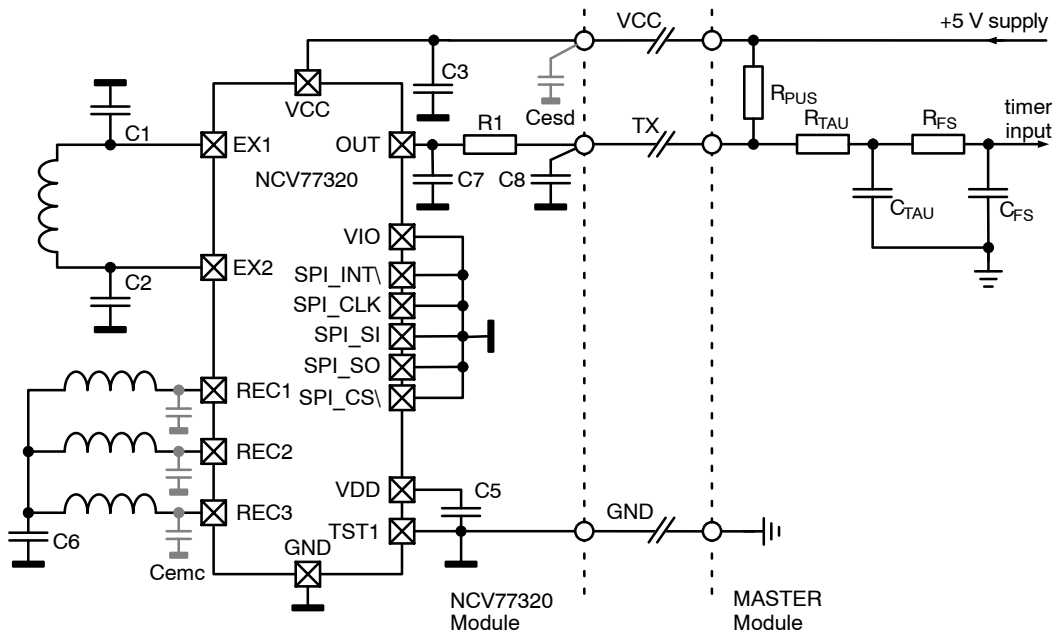


Figure 2. NCV77320 Single Chip Application Diagram with SENT Output

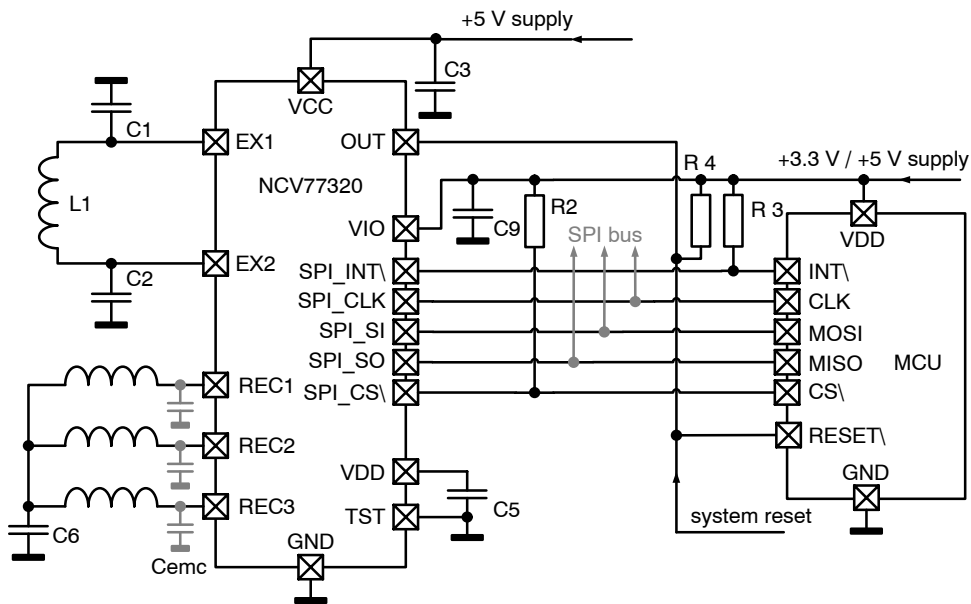


Figure 3. NCV77320 Single Chip Application Diagram with SPI Interface

Table 4. EXTERNAL COMPONENTS

Component	Description	Min. Value	Typ. Value	Max. Value	Note
C1, C2	Primary Coil Resonator Capacitor	–	Refer to <a href="#">LC Oscillator</a> chapter	3.3 nF	C0G type ceramic
C3	Decoupling Capacitors	–	100 nF	–	X7R type ceramic
C4	Output Stabilization Capacitor for Analogue OUT Configuration	80 nF	100 nF	390 nF	X7R type ceramic C4 + Cesd < 390 nF Place the output capacitor C4 as close as possible to the OUT pin and returning GND pin.
C5	Decoupling and Stabilization Capacitor	70 nF	100 nF	100 µF	X7R type ceramic
C6	Common Mode Decoupling Capacitor Recommended for EMC Purposes	–	–	1 nF	X7R, C0G type ceramic
C7	Output Capacitor for SENT OUT Configuration	–20%	6.8 nF	+20%	X7R type ceramic Place the output capacitor C7 as close as possible to the OUT pin and returning GND pin.
C8	$\pi$ Filter Capacitor for SENT OUT Configuration	–20%	6.8 nF	+20%	X7R type ceramic
C9	Decoupling Capacitors	–	100 nF	–	X7R type ceramic
Cemc	3 x Input Capacitor Optional for Improved EMC Performance	–	–	100 pF	C0G type ceramic
Cesd	System Level ESD Optional Protection Capacitor	100 pF	–	100 nF	X7R type ceramic C4 + Cesd < 390 nF
C <sub>F</sub>	Master Side Filter Capacitor for Analogue OUT Configuration	–	–	33 nF	
C <sub>TAU</sub>	SENT Receiver 1 <sup>st</sup> Stage Capacitor	–30%	2.2 nF	+30%	Shall comply with SAE J2716
C <sub>FS</sub>	SENT Receiver 2 <sup>nd</sup> Stage Capacitor	0.6 µs / R <sub>FS</sub>	Refer to SAE J2716	1.4 µs / R <sub>FS</sub>	Shall comply with SAE J2716
R1	$\pi$ Filter Resistor for SENT OUT Configuration	–5%	120 Ω	+5%	Power loss ≥ 125 mW
R2	SPI CS\ Pull-up Resistor	68 kΩ	–	220 kΩ	
R3	INT\ Pull-up Resistor for SPI Operation	3.3 kΩ	10 kΩ	22 kΩ	
R4	RESET\ Pull-up Resistor for SPI Operation	68 kΩ	–	–	
R <sub>PU</sub> , R <sub>PD</sub>	Pull-up or Pull-down Resistor at Master Side for Analogue OUT Configuration	4.7 kΩ	–	22 kΩ	R <sub>PD</sub> or R <sub>PU</sub> shall be assembled. Max value can be increased following rules described in <a href="#">Analog Output</a> chapter.
R <sub>F</sub>	Master Side Filter Resistor for Analogue OUT Configuration	10 kΩ	–	–	
R <sub>PUS</sub>	SENT Receiver Pull-up Resistor	10 kΩ	–	55 kΩ	Shall comply with SAE J2716
R <sub>TAU</sub>	SENT Receiver 1 <sup>st</sup> Filter Stage Resistor	–20%	560 Ω	+20%	Shall comply with SAE J2716
R <sub>FS</sub>	SENT Receiver 2 <sup>nd</sup> Filter Stage Resistor	4 kΩ	–	–	Shall comply with SAE J2716

# NCV77320

## BLOCK DIAGRAM

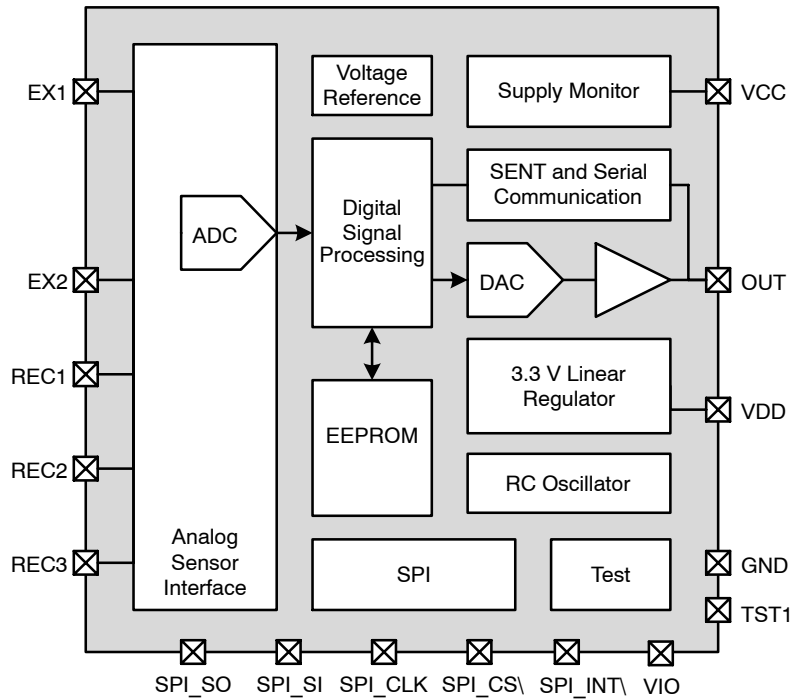


Figure 4. NCV77320 Block Diagram

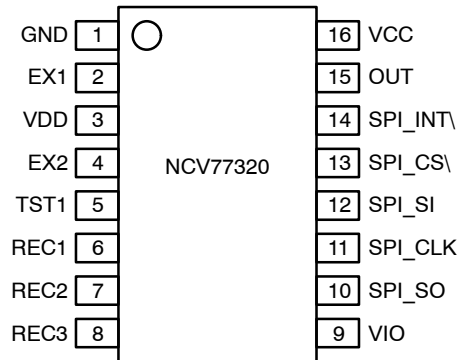


Figure 5. NCV77320 Pinout

Table 5. PIN FUNCTION DESCRIPTION FOR TSSOP16

Pin No.	Name	Description	Pin No.	Name	Description
1	GND	Sensor ground	16	VCC	Sensor Power supply 5 V
2	EX1	Primary coil oscillator	15	OUT	Analog output / SENT output / RST function in SPI mode
3	VDD	Digital 3.3 V Supply (only decoupling)	14	SPI_INT\	SPI Interrupt output (tri-state)
4	EX2	Primary coil oscillator	13	SPI_CS\	SPI Chip Select input
5	TST1	Test Pin (to be tied to GND)	12	SPI_SI	SPI Serial input
6	REC1	Secondary coil input phase1	11	SPI_CLK	SPI Clock input
7	REC2	Secondary coil input phase2	10	SPI_SO	SPI Serial output (tri-state)
8	REC3	Secondary coil input phase3	9	VIO	SPI supply pin 5 V / 3.3 V

# NCV77320

**Table 6. OPERATING PARAMETERS** (These parameters are guaranteed over temperature and all supplies in the operating range, unless otherwise specified. Convention: currents flowing into the circuit are defined as positive.)

Parameter	(Test) Conditions	Min	Typ	Max	Unit
<b>VCC RELATED</b>					
VCC		4.5	5.0	5.5	V
VCC_OV; VCC over Voltage Threshold Level where the Outputs are going in High Z		5.55	6.15	6.7	V
VCC_EL; Elevated Voltage to Enter Service Mode		9.7	–	18	V
t_service_max; Maximum Time after POR wherein the Service Mode Can be Entered		–	–	100	ms
t_transfer; Transfer Time from VCC_EL Threshold to the Start of the t_Key_Code Slot where No Key-code will be Accepted		14.88	16	17.12	ms
VCC_UV; VCC under Voltage Threshold Level where the Outputs are going in High Z		3.9	4.2	4.40	V
t_INIT	Power On Initialization Time	–	–	2	ms
<b>VIO SUPPLY</b>					
VIO; SPI Interface Supply Voltage		3.0	–	5.5	V
<b>INTERNAL SUPPLY</b>					
VDD; Regulated Voltage on Pin VDD	VCC applied, full internal load	3.1	3.3	3.6	V
VDD_OV; Regulated Voltage High Threshold where the OUT goes High Z		3.65	–	4.45	V
VDD_OVLD; VDD Regulator Overload Threshold where OUT goes High Z		3.0	–	–	V
<b>POWER ON RESET</b>					
POR_hi; POR Threshold Level	VCC applied	2.5	–	3.0	V
<b>EXCITATION OSCILLATOR</b>					
V_osc; Primary Oscillator Voltage Amplitude	$V_{osc} = (V(EX1) - V(EX2))$	1.0	–	1.6	Vp
V_osc_CMM; DC Common Mode Voltage		–	0.5 x VDD	–	V
f_PRIM; Primary Resonator Frequency		3.0	–	4.0	MHz
Rp_PRIM; Primary Resonator Effective Loss Resistance	@ f_PRIM	0.4	–	5	kΩ
Q_PRIM; Primary Resonator Q-factor	$Q_{PRIM} = \frac{R_{P\_PRIM}}{L1} \cdot \frac{1}{2\pi \cdot f\_PRIM}$	4.7	–	170	
<b>RECEIVER COILS</b>					
V_REC; Input Voltage Amplitude Range for Operation		4	–	100	mV
<b>ANALOG OUTPUT</b>					
Vout_hi; Voltage for Maximum Position Value		–	–	0.95	VCC
Vout_lo; Voltage for Minimum Position Value		0.05	–	–	VCC
Vout_offset		–16	–	16	mV
Vout_offset_drift	(Note 9)	–5	–	5	mV
Vout_gainerr		–1.3	–	1.3	%
Vout_gainerr_drift	(Note 9)	–0.15	–	0.15	%
Vout_Diag_Low; Diagnostics Low Level Output		–	–	4	%VCC
Vout_Diag_High; Diagnostics High Level Output		96	–	–	%VCC
Output Linearity Error		–	–	0.1	%VCC
Analog Output Step Output Settling Time to +/-1%	VOUT step from 5 to 95 % VCC, VCC = 5 V, C4 < 390 nF	–	–	1.2	ms

# NCV77320

**Table 6. OPERATING PARAMETERS** (These parameters are guaranteed over temperature and all supplies in the operating range, unless otherwise specified. Convention: currents flowing into the circuit are defined as positive.) (continued)

Parameter	(Test) Conditions	Min	Typ	Max	Unit
<b>ANALOG OUTPUT</b>					
TAU_OUT; Analogue Output Time Constant	(Note 9)	40	110	160	μs
t_DIAG_HOLD; Hold Time for Diagnostic State at OUT Line		–	50	–	ms
Output Current Limitation		4	–	8	mA
Output Current Leakage with Deactivated OUT Drivers	T <sub>j</sub> = 170°C	–7	–	7	μA
<b>SENT OUTPUT</b>					
t_SENT; SENT Clock Tick Time		–7%	3	+7%	μs
t_Fall; Fall Time Referred to the Receiver Input	From V <sub>th</sub> = 3.8 V to V <sub>tl</sub> = 1.1 V (Note 10)	–	–	6.5	μs
t_Rise; Rise Time Referred to the Receiver Input	From V <sub>tl</sub> = 1.1 V to V <sub>th</sub> = 3.8 V (Note 10)	–	–	18	μs
t_Stable; Signal Time below 1.39 V or above 3.8 V	(Note 10)	6	–	–	μs
t_Δ_Fall; Edge to Edge Jitter	(Note 10)	–	–	0.1	μs
V_OH; High State Voltage	(Note 10)	4.1	–	–	V
V_OL; Low State Voltage	(Note 10)	–	–	0.5	V
I_Output_Max	Under short circuit condition, average current	–	–	10	mA
<b>WATCHDOG RESET OUTPUT</b>					
V_WD_RST; Vol; Open Drain Output Voltage	68 k pull up to V <sub>IO</sub>	–	–	0.5	V
T_WD_RST; Watchdog Reset Time		18.6	20	21.4	ms
<b>SPI DIGITAL INPUTS AND OUTPUTS</b>					
V <sub>ih</sub> ; Input High Level Voltage	V <sub>IO</sub> = 3.3 V or V <sub>IO</sub> = 5 V	2.3	–	V <sub>IO</sub>	V
V <sub>il</sub> ; Input Low Level Voltage		0	–	0.8	V
V <sub>oh</sub> ; SPI_SO Push Pull Driver with 3 State	V <sub>IO</sub> = 3.3 V or V <sub>IO</sub> = 5 V, 2 mA load current	V <sub>IO</sub> – 0.4	–	V <sub>IO</sub>	V
V <sub>ohd</sub> ; SPI_INT\ Push Pull Driver with 3 State		V <sub>IO</sub> – 1.3	–	V <sub>IO</sub>	V
V <sub>ol</sub> ; SPI_SO, SPI_INT\ Push Pull Driver with 3 State		0	–	0.4	V
t <sub>SCK</sub> ; SPI Clock Period		700	–	–	ns
t <sub>SCK_HI</sub> ; SPI_CLK High Time		200	–	–	ns
t <sub>SCK_LO</sub> ; SPI_CLK Low Time		200	–	–	ns
t <sub>SET_CSB</sub> ; SPI_CS\ Setup Time		400	–	–	ns
t <sub>CSB_INACT</sub> ; SPI_CS\ Inactive Time		500	–	–	ns
t <sub>SET_MOSI</sub> ; SPI_SI Setup Time		200	–	–	ns
t <sub>HOLD_MOSI</sub> ; SPI_SI Hold Time		200	–	–	ns
t <sub>SET_MISO</sub> ; SPI_SO Setup Time	SPI_SO load capacitance: 200 pF	–	–	200	ns
t <sub>MISO_DLY</sub> SPI_SO Delay Time	SPI_SO load capacitance: 200 pF	–	–	200	ns
t <sub>SCK_DLY</sub> ; SPI_CS\ High after Last SPI_CLK Falling Edge		–	–	200	ns
<b>SERIAL COMMUNICATION INTERFACE ON OUT PIN</b>					
V <sub>cmi_ih</sub> ; OUT Input High Level		4.1	–	V <sub>CC</sub>	V
V <sub>cmi_il</sub> ; OUT Input Low Level		0	–	1.1	V
V <sub>cmi_oh</sub> ; OUT Voltage High	I(OUT) = –1 mA	V <sub>CC</sub> – 0.4	–	V <sub>CC</sub>	V



# NCV77320

**Table 6. OPERATING PARAMETERS** (These parameters are guaranteed over temperature and all supplies in the operating range, unless otherwise specified. Convention: currents flowing into the circuit are defined as positive.) (continued)

Parameter	(Test) Conditions	Min	Typ	Max	Unit
<b>SERIAL COMMUNICATION INTERFACE ON OUT PIN</b>					
Vcmi_ol; OUT Voltage Low	I(OUT) = 1 mA	0	–	0.4	V
Icmi_max; OUT Maximum Current		20	–	41	mA
Vout_hi; OUT Voltage Level to Inactivate Analogue/SENT Driver		6.9	–	–	V
Tpulse_outh; Duration of OUT Voltage above Vout_hi to Inactive Analogue/SENT Driver		20	–	–	µs

## EEPROM

T <sub>PROG</sub> ; EEPROM Programming Time after PRG Command	N is number of addresses	–	–	N x 9.9	ms
T <sub>VERIFY</sub> ; EEPROM Verification Time	N is number of addresses	–	–	N x 0.41 + 14.2	µs
nEEPROMwrite; Number of Write Cycles per Address	T <sub>j</sub> < 70°C	–	–	100	

9. Values based on design and characterization, not tested in production

10. The NCV77320 is designed to be compliant with requirements of SAE J2716, if the external components fulfill requirements described in Table 4. EXTERNAL COMPONENTS and the supply voltage VCC is in range from 4.85 V to 5.15 V

**Table 7. THERMAL ASPECTS**

Parameter	Description	Typ	Unit
VCC		5.0	V
Rthja	Thermal resistance from junction to the ambient (Note 11)	170	K/W
Soldering Information	Please refer to our Soldering and Mounting Techniques Reference Manual	SOLDERRM/D	

11. The thermal resistance has been obtained by a simulation for the package assembled on 2SOP PCB with 10% copper coverage density with no forced convection at Ta = 180°C.

SPI TIMING PARAMETERS

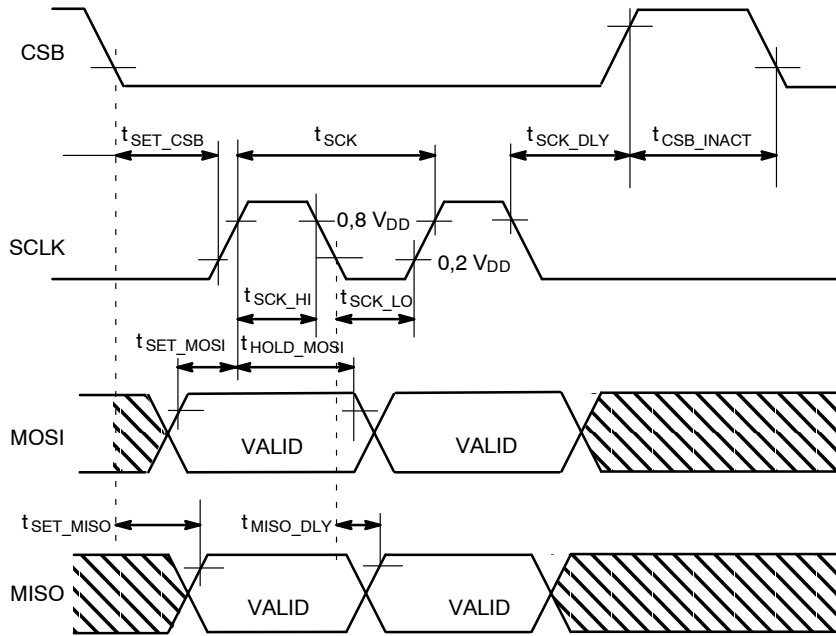


Figure 6. SPI Timing Diagram

SENT OUTPUT TIMING PARAMETERS

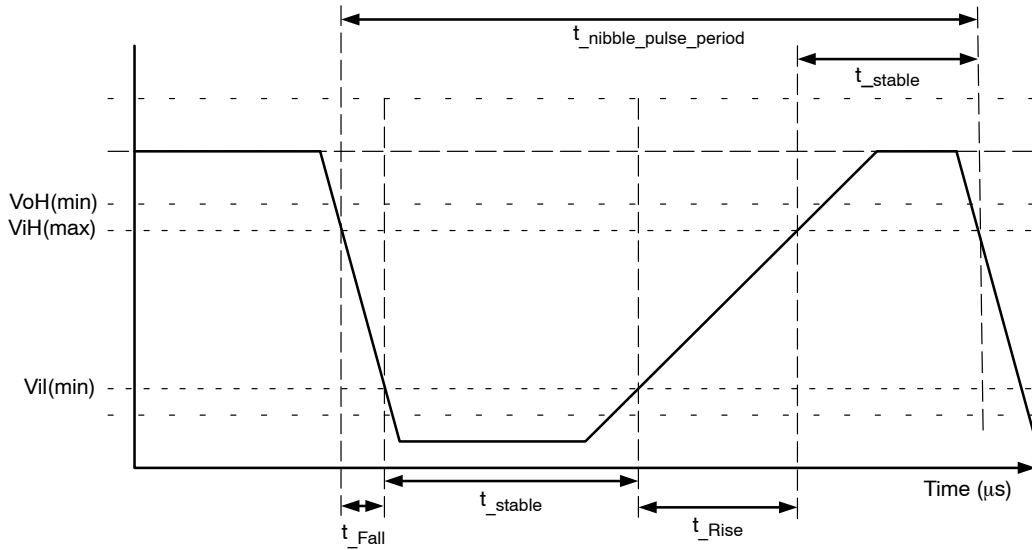


Figure 7. SENT Pulse Timing Diagram

DESCRIPTION

Memory Mapping

The NCV77320 contains non-volatile EEPROM memory to store the programmed data. It contains two banks of volatile memory – Configuration memory and Run time memory. After POR, the contents of the EEPROM memory is loaded into Configuration memory. It contains calibration, configuration, PWL and programmed sent information. The Run time memory bank contains the real time information: the actual position, the ADC data and diagnostics.

Be aware, that there are different commands for accessing Configuration memory and Run time memory content.

LC Oscillator

The LC oscillator is the primary excitation generator. The oscillator runs at the LC resonance frequency of around 3.5 MHz. For the maximum Q factor and phase relation, the LC values have to be selected to tune the resonance frequency.

The amplitude of the LC oscillator is kept within a certain window by an amplitude regulation circuit (Refer to the Operating parameter table: “V\_osc”).

The LC oscillator needs two external capacitors. The selected value needs to be matched to achieve the optimum

resonance frequency for the coil. The capacitors can be calculated as follows:

$$f_{\text{PRIM}} \approx \frac{1}{2\pi \sqrt{\frac{C1 \cdot C2}{C1 + C2} \cdot L1}} \tag{eq. 1}$$

Where C1 and C2 are the external capacitors and L1 is the primary coil inductance. The resonant frequency shall conform to the limits given in Table 6.

The R<sub>P\_PRIM</sub> represents losses at resonance frequency associated with the resonator. Exceeding the limits given in Table 6 might result in inability of the oscillator to keep the excitation voltage amplitude in the given limits for “V\_osc”.

In a practical design of the primary coil as PCB structure, the effective losses are often created by inductor series resistance R<sub>s</sub>. In such a case, the following equation can be used:

$$R_{P\_PRIM} \approx \frac{L1}{R_s \cdot \frac{C1 \cdot C2}{C1 + C2}} \tag{eq. 2}$$

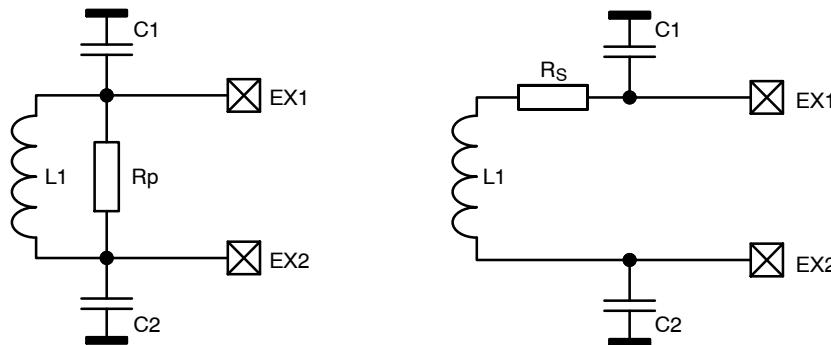


Figure 8. Resonator Schematics Including Losses Equivalent Resistor

Primary coil diagnostics:

- *Primary frequency out of limits:* The oscillator frequency of the primary coil is compared with a frequency of a free running on-chip oscillator. The error flag is set if the “f\_PRIM” frequency is out of range.
- *Primary common mode out of range:* error flag is set if the common mode voltage is outside of the operating range.
- *Primary amplitude too low:* error flag is set when “V\_osc” amplitude is too low.

Output states and “fail\_flags[15:0]” register mapping are listed in Table 18.

Main Receiver Coils Signal Inputs

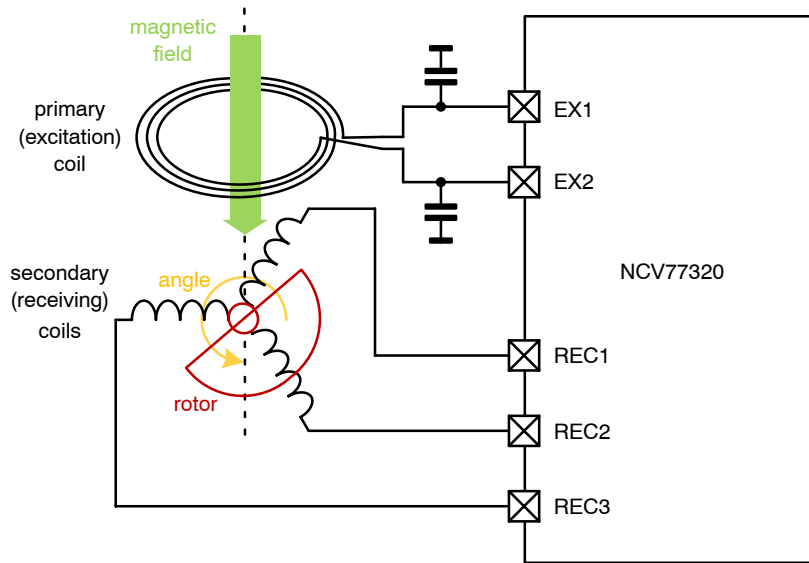
The NCV77320 contains three semi differential inputs. The secondary coils of the sensor have to be connected in a

star configuration. The mid-point of the star should be connected to the board GND via a decoupling capacitor (<1 nF).

The coils connected should have a 120 phase related geometry to achieve the best full angular resolution of the system. The number of poles at the sensor board and rotor determine the unique electrical period to mechanical angular relationship (ratio is equal to one in Figure 9).

The AC signal at resonant frequency from the primary coil induces voltages in the secondary coils. The amplitude of the induced signal depends on mutual placement of a conductive rotor and the geometry of the input coils. A ratio of the amplitudes at RECx inputs depends on the rotor angular position.

## NCV77320



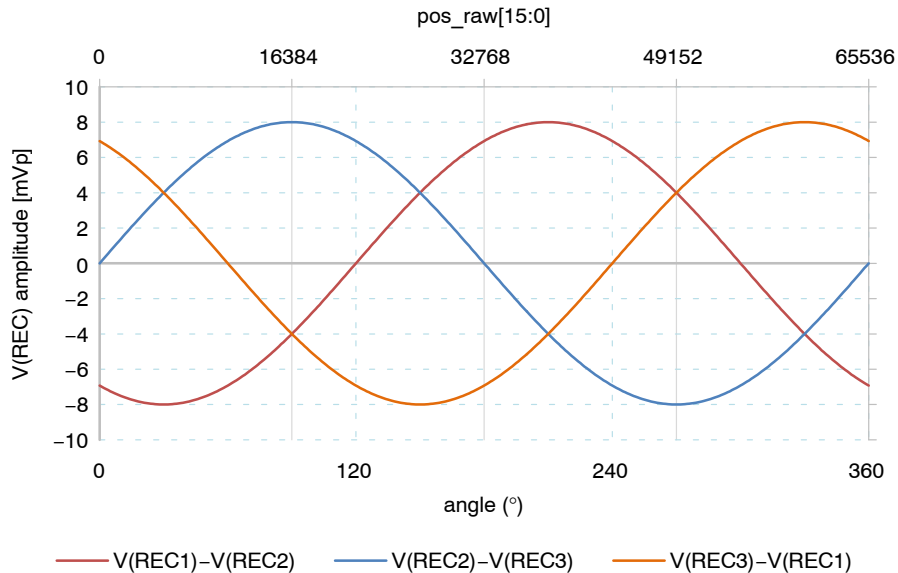
**Figure 9. Principle of Inductive Coupling Sensor**

### Secondary Coil Diagnostics

- *Open of secondary coil* is detected during measurement. Failure flag is set when open connection between two RECx pins is detected (including chip leads and bond wires).
- *Short of secondary coil* structure to supplies (GND, VDD, VCC) or primary coil (EX1, EX2) is detected during measurement. When a short is detected, the error flag is set. Output states and “fail\_flags[15:0]” register mapping are listed in Table 18.

### Analog Sensor Interface & DSP

The analog input signals are filtered and amplified for the AD conversion. The angular position is determined by a ratio of amplitudes of 120° shifted signals at the “f\_PRIM” frequency induced from the primary coil. The angular position and its corresponding value in a DSP register “pos\_raw[15:0]” with respect to signal ratios are shown in Figure 10. The calculated position in “pos\_raw[15:0]” register is updated with period “t\_PER”.



**Figure 10. RECx Differential Signal Amplitude at f\_PRIM vs. Angular Position**

The calculated 16-bit position “pos\_raw[15:0]” can be adjusted to application “zero” position by “pos\_shift[15:0]” EEPROM parameter. This operation can replace a need for mechanical alignment of a rotor with a sensor PCB.

The adjustment is shown in Figure 11 and follows the modulo equation:

$$\text{pos\_adj}[15:0] = \text{mod}(\text{pos\_raw}[15:0] + \text{pos\_shift}[15:0], 65536) \quad (\text{eq. 3})$$

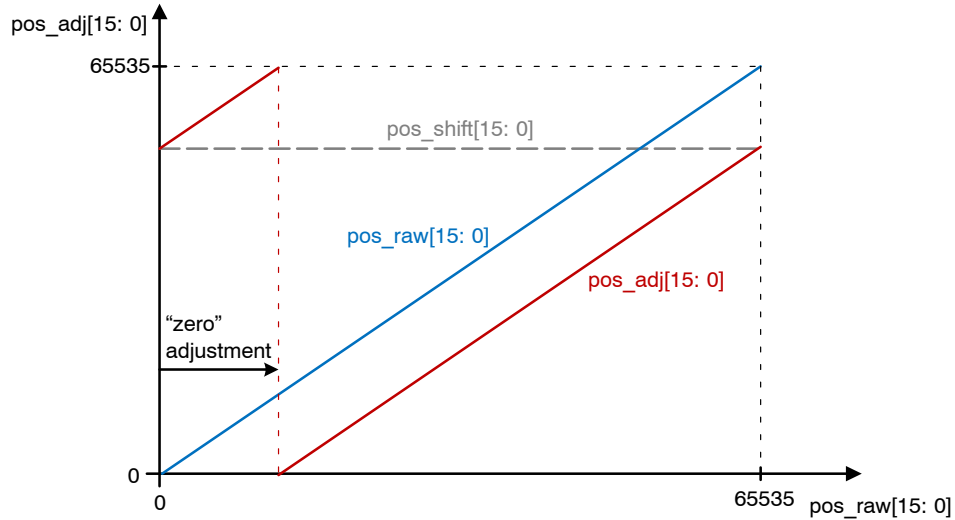


Figure 11. Zero Angle Adjustment Using “pos\_shift[15:0]” Register

**Multipoint PWL Correction Table**

The adjusted position “pos\_adj[15:0]” is processed by an 15-point PWL (piece-wise-linear) correction unit. Up to 15 points “P<sub>k</sub>[X<sub>k</sub>, Y<sub>k</sub>]” are available (k ∈ <0;14>). The points 0 and 14 have x-position bound to the minimum and the maximum of the “pos\_adj[15:0]” range, other points can be set to arbitrary values in ascending order as shown in Figure 12. Correction starts always with point P<sub>0</sub> and continues with next points P<sub>1</sub>, P<sub>2</sub>, ... until a point which has value X<sub>k</sub> = 65535.

When the analog output interface is used, it should be limited by programming the PWL table (Y<sub>k</sub>) to stay within range of 5% to 95% V<sub>cc</sub>, defined by parameters “V<sub>out\_hi</sub>” and “V<sub>out\_lo</sub>” in Table 6. The SENT output should be programmed with the PWL correction table to comply with the SENT specification for the output ranging between 1 and 4088. For the SPI interface, the full output range can be used.

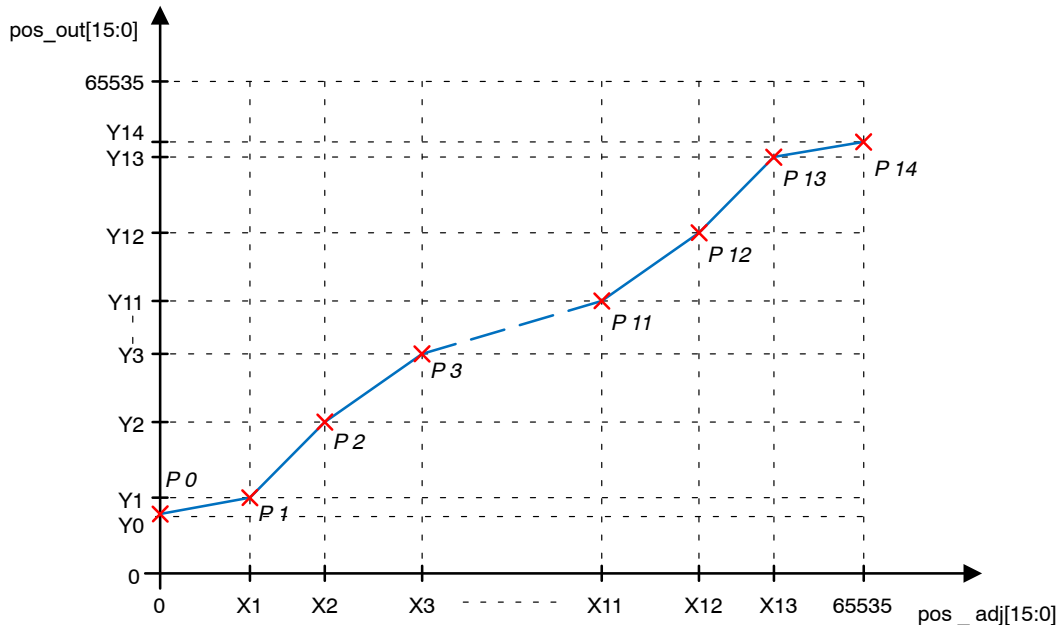


Figure 12. Multi-point PWL Correction Unit

Table 8. PWL CORRECTION TABLE – POINTS DEFINITION

Point	X Coordinate	Y Coordinate
P0	0	pwl_y0[15:0]
P1	pwl_x1[15:0]	pwl_y1[15:0]
P2	pwl_x2[15:0]	pwl_y2[15:0]
P3	pwl_x3[15:0]	pwl_y3[15:0]
P4	pwl_x4[15:0]	pwl_y4[15:0]
P5	pwl_x5[15:0]	pwl_y5[15:0]
P6	pwl_x6[15:0]	pwl_y6[15:0]
P7	pwl_x7[15:0]	pwl_y7[15:0]
P8	pwl_x8[15:0]	pwl_y8[15:0]
P9	pwl_x9[15:0]	pwl_y9[15:0]
P10	pwl_x10[15:0]	pwl_y10[15:0]
P11	pwl_x11[15:0]	pwl_y11[15:0]
P12	pwl_x12[15:0]	pwl_y12[15:0]
P13	pwl_x13[15:0]	pwl_y13[15:0]
P14	65535	pwl_y14[15:0]

PWL Example 1: Full-range Transfer Function with Processing Gain = 1

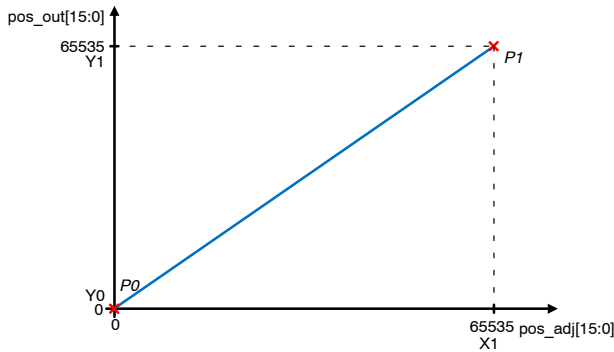


Table 9. PWL EXAMPLE 1 SETTINGS

Point	Register	Value
P0	pwl_y0[15:0]	0
P1	pwl_x1[15:0]	65535
P1	pwl_y1[15:0]	65535

Figure 13. Multi-point PWL Correction – Example 1

PWL Example 2: Full-range Input Inverted Transfer Function with 5% to 95% Output Range Scale

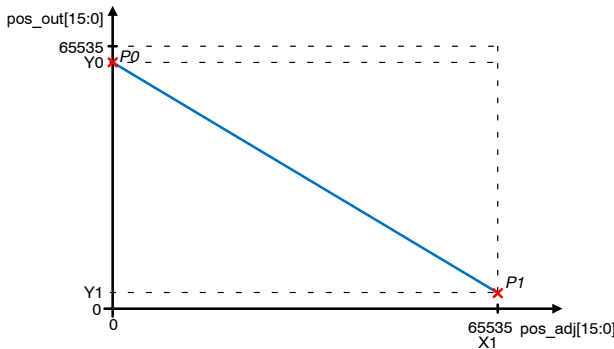


Table 10. PWL EXAMPLE 2 SETTINGS

Point	Register	Value
P0	pwl_y0[15:0]	62260
P1	pwl_x1[15:0]	65535
P1	pwl_y1[15:0]	3277

Figure 14. Multi-point PWL Correction – Example 2

PWL Example 3: 120° Input Range Scaled over 5% to 95% Output

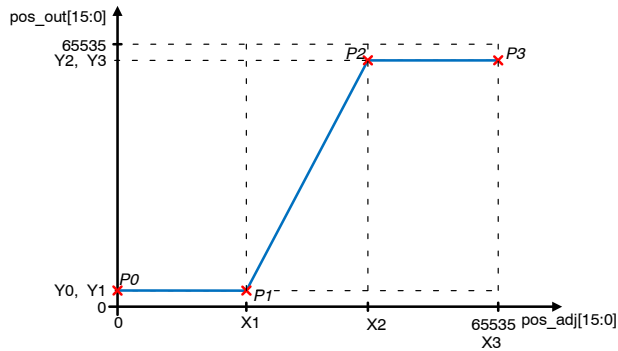


Table 11. PWL EXAMPLE 2 SETTINGS

Point	Register	Value
P0	pwl_y0[15:0]	3277
P1	pwl_x1[15:0]	21846
P1	pwl_y1[15:0]	3277
P2	pwl_x2[15:0]	43691
P2	pwl_y2[15:0]	62260
P3	pwl_x3[15:0]	65535
P3	pwl_y3[15:0]	62260

Figure 15. Multi-point PWM Correction – Example 3

DSP diagnostics

- “Signal amplitude too low” is detected when the input signal amplitude drops below “V\_REC” low limit.
- “Direct coupling compensation error” is detected when “dcc\_cXY[7:0]” and “dcc\_pwr[2:0]” coefficients are off range, inconsistent or if the compensation vector is too large. The failure flag is also set in a case of missing rotor.
- “Internal failure error” flag is set when a failure is detected on internal circuitry (ADC overload, DSP over- or under-flow, gain error, etc.)
- “PWL table monotonicity failure” flag is set if Xi coordinates of used calibration points are not set in ascending order (e.g. X0 < X1 < X2 < ...etc.) and also is set if the last used Xi coordinate is not equal to 65535. Output states and “fail\_flags[15:0]” register mapping are listed in Table 18.

POWER UP AND OPERATING MODES

The NCV77320 is in POR (power-on-reset) when regulated voltage (VDD pin) drops below “POR\_hi” voltage level. The release from POR is additionally conditioned by VCC supply voltage going above “VCC\_UV” threshold. A power-up sequencer is implemented in the NCV77320 to bring the device in different modes. The chip can be in two modes after power up:

1. Service mode
2. Operating mode

1) *Service mode* can be entered after POR within the “t\_service\_max” time window as specified in Table 6. Service mode can be achieved in two ways:

- a. With the serial communication bus operated via the OUT pin:

Entering the Service mode is done with an elevated VCC supply voltage. When the VCC is above “VCC\_EL” level for at least “t\_transfer” time and then a serial Key-code is received, the NCV77320 is entering Service mode. When VCC elevated voltage is applied, OUT pin must be pulled up above “Vcmi\_ih” as shown in Figure 16. If the Key-code is not received within “t\_service\_max”, the device continues in Operating mode. Figure 16 shows the diagram for entering Service mode via OUT pin. When the communication over the OUT pin is used, SPI communication is fully disabled by the chip.

After entering the Service mode, the “VCC\_EL” should be reduced to the normal VCC level for service operation. Sending the “EXIT” command will bring the device to Operation mode. Or a power

off/on cycle has to be performed under normal VCC condition.

- b. Via SPI:

To enter Service mode, the SPI Key-code should be send to the device. After reception of the Key-code, the specific calibration registers can be addressed (Service mode). For the SPI operation, there is no need to use the elevated VCC. The SPI Key-code must be received as a first SPI frame and must be received before “t\_service\_max” time elapses. The NCV77320 is ready to decode SPI Key-code after initialization phase “t\_INIT”. The SPI Key-code can be received and SPI Service mode can be opened regardless of SPI activation EEPROM bit “spi\_ena”. Figure 17 shows the diagram for entering Service mode via SPI.

For normal operation, the device needs to be brought to Operating mode via the “EXIT” SPI command.

2) *Operating mode* is achieved after appliance of the normal VCC operating voltage. After POR, the chip will load the operational EEPROM parameters into the device registers. The content of the registers defines behavior of the chip. When the device is brought into Operating mode from Service mode using the ”EXIT” command, the EEPROM parameters are not loaded to the device registers.

Accessibility of the chip and pin function in Operating mode is summarized in Table 12. The OUT driver and/or SPI interface is activated after initialization phase “t\_INIT” elapses.

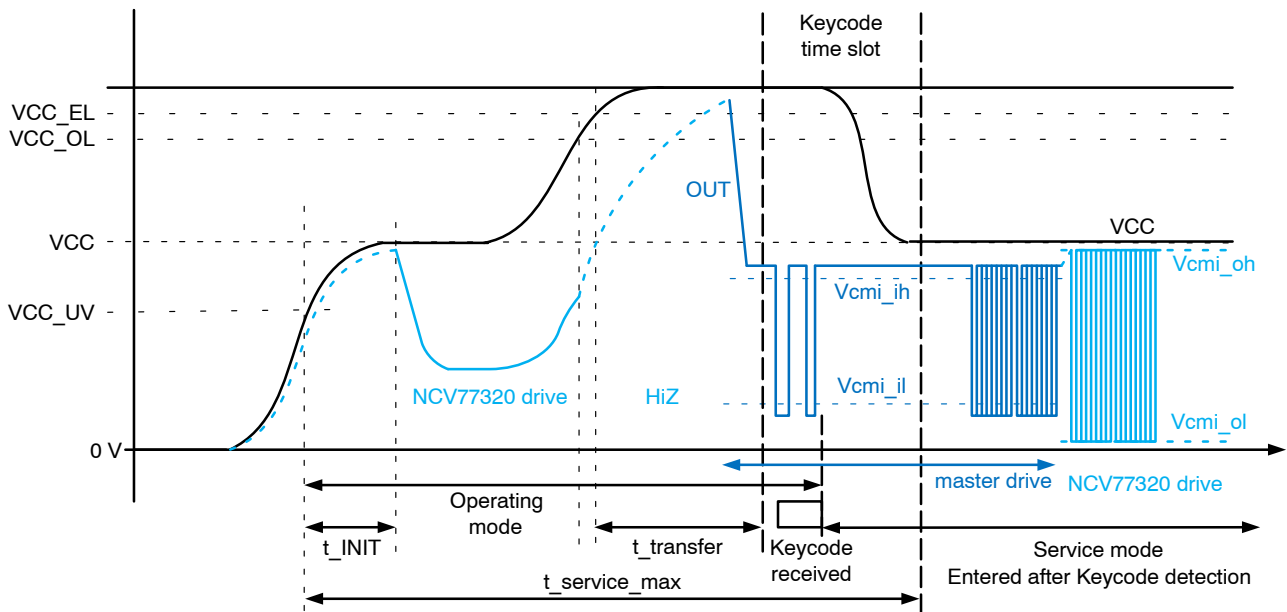


Figure 16. Service Mode Entry Using OUT Pin



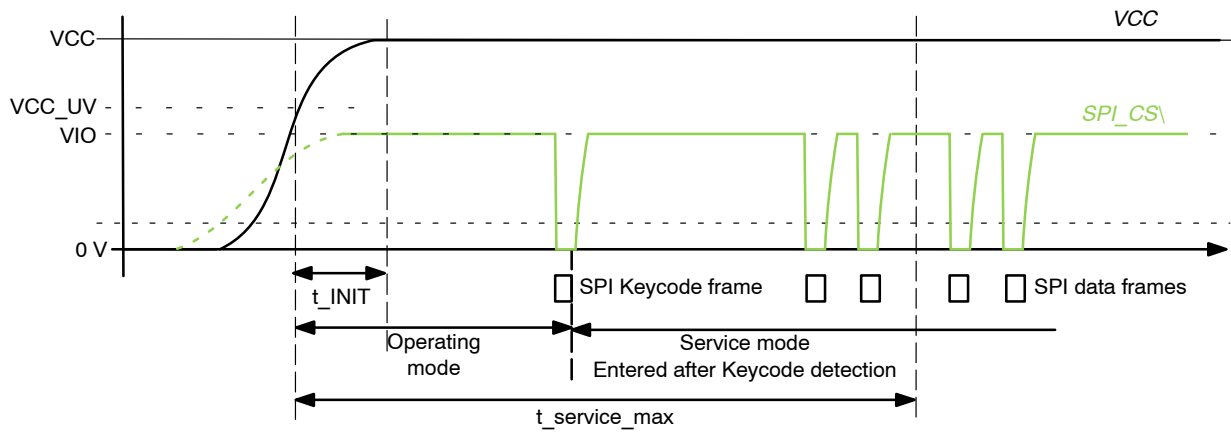


Figure 17. Service Mode Entry Using SPI

Table 12. OPERATING MODE OUTPUT ACCESS CONFIGURATION

EEPROM Parameters			Outputs	
sent_drv	spi_ena	wd_cfg[1:0]	SPI Active	OUT Pin
X	1	>0	YES	RST\
0	1	0	YES	Analogue
1	1	0	YES	SENT
0	0	X	NO	Analogue
1	0	X	NO	SENT

**Analog Output**

The analog driver consists of 16-bit DAC and voltage buffer operating in AB class. The DAC is supplied with the PWL correction unit output “pos\_out[15:0]”. The possible voltage range of the Analogue OUT is specified from 5% to 95% VCC.

The output DAC uses the VCC supply voltage as reference. This gives a ratio-metric behavior of the output. For “pos\_out[15:0]”, the OUT voltage follows equation:

$$V(\text{OUT}) = V(\text{VCC}) \cdot \frac{\text{pos\_out}[15:0]}{65536} \quad (\text{eq. 4})$$

The NCV77320 signal delay in the Analog OUT configuration is equal to  $\text{Tau\_OUT} + t_{\text{PER}} / 2 + \text{POS\_DLY}$ . Additionally, filter delay at master module input formed by  $R_F, C_F$  has to be taken into account.

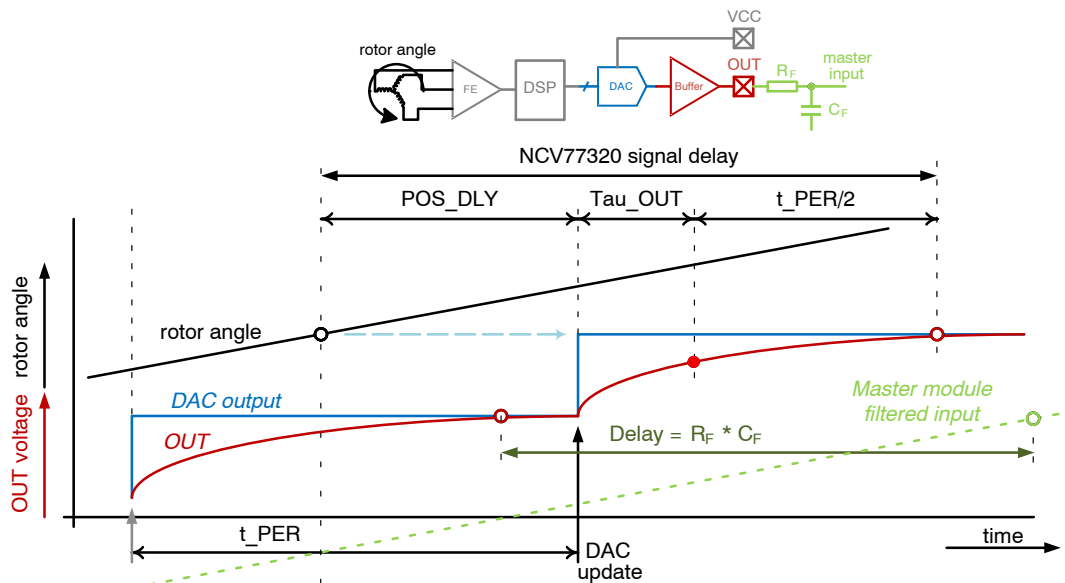


Figure 18. Signal Propagation Using Analog OUT Configuration

The default output setting of the NCV77320 is the Analog mode. In this case, the SENT driver stage is in shut down and in high-Z state. When the device is programmed for SENT operation, the analog driver is placed in High-Z state.

**Diagnostic Bands in Analogue OUT Configuration**

In the case of failure detection, the OUT pin is switched off as defined in Table 18.

When diagnostic state is entered, minimum duration of the OUT voltage in diagnostic level is “t\_DIAG\_HOLD”.

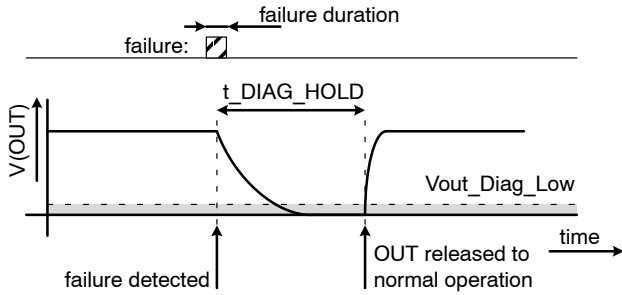


Figure 19. OUT Voltage in Diagnostic State

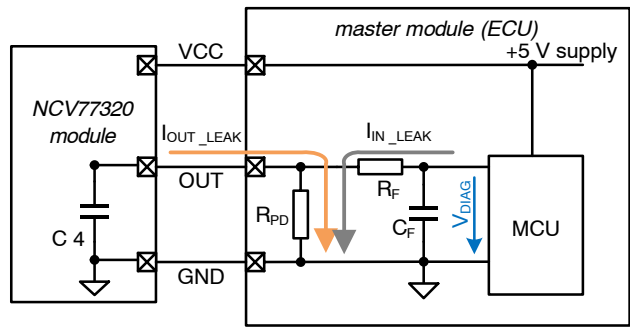
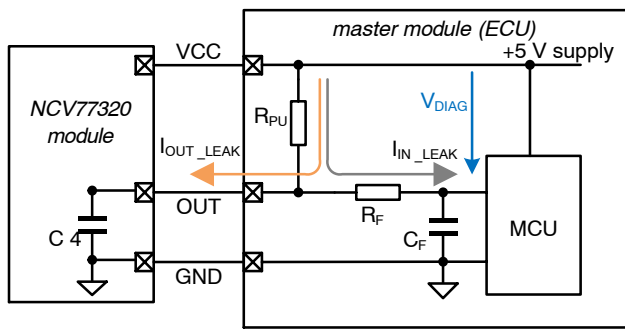


Figure 20. OUT Diagnostic Voltage Level Definition for Switched-off Driver for a) Pull-up, b) Pull-down Resistor

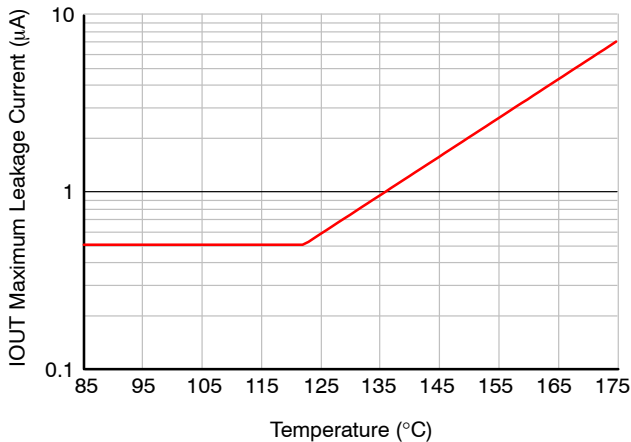


Figure 21. OUT leakage current

**SENT Output**

The SENT output complies with the standard SAE J2716 protocol. Refer to the SENT Protocol Standard SAE J2716 published April 2016 for the full description of the protocol. Figure 22 shows the standard SENT frame format.

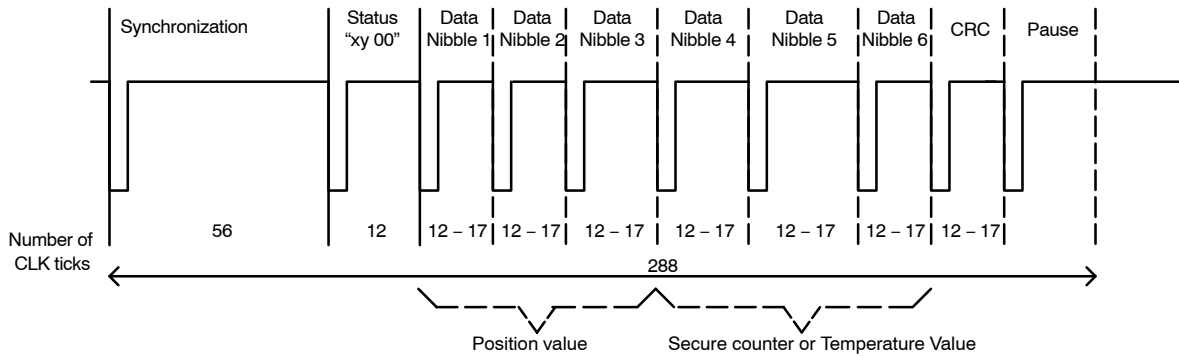
There are two SENT frame formats implemented in NCV77320:

- H.1 – two 12 bit fast channels: position/angle in channel 1, temperature in channel 2
- H.4 – secure sensor with 12 bit fast channel: position/angle in channel 1, 8-bit counter incremented in each frame with rollover from 255 to 0 in channel 2.

Detail composition of the SENT frame is shown in Table 13.

The NCV77320 makes use of the Enhanced serial channel for diagnostic and device information.

# NCV77320



**Figure 22. Fast Channels SENT Frame Format**

**Table 13. SENT FRAME FORMAT**

Pulse / Nibble	Nibble content	
	H.1 SENT Frame Format sent_ch2_cnt = 0	H.4 SENT Frame Format sent_ch2_cnt = 1
Calibration/Synchronization pulse	56 SENT ticks pulse	
Status and Communication Nibble	Bit 1, 0: channel error Bit 3, 2: Serial message	Bit 0: channel1 data error Bit 1: zero Bit 3, 2: Serial message
Fast Channel 1, data nibble 1	Clamped position/angle pos_out[15:12]	Clamped position/angle pos_out[15:12]
Fast Channel 1, data nibble 2	Clamped position/angle pos_out[11:8]	Clamped position/angle pos_out[11:8]
Fast Channel 1, data nibble 3	Clamped position/angle pos_out[7:4]	Clamped position/angle pos_out[7:4]
Fast Channel 2, data nibble 4	Temperature temp[3:0]	Secure counter bits [7:4]
Fast Channel 2, data nibble 5	Temperature temp[7:4]	Secure counter bits [3:0]
Fast Channel 2, data nibble 6	Temperature temp[11:8]	Bit inversion of data nibble 1
CRC/Checksum Nibble	CRC is calculated according to SAE J2716, section 5.4.2.2 Recommended Implementation	
Pause pulse (optional)	If enabled by sent_pause_pls = 1, pause pulse follows CRC nibble to adjust SENT frame length to $4 * t\_PER$	

### Calibration / Synchronization Pulse

Pulse length is derived from time elapsed between two falling edges. Calibration / Synchronization pulse is 56 SENT tick period long. Nominal tick pulse length is set to “t\_SENT” (3 μs).

Calibration / Synchronization pulse is used for determination of the frame start and measurement of the tick time. Actual tick time per frame is obtained as calibration pulse length divided by 56.

Following nibbles value is then equal to nibble length / tick time minus 12. The value of the nibble is a 4 bit number in a range <0 .. 15>.

### Status and Communication Nibble

Nibble bit 0: error associated with data of fast channel 1 appeared.

Nibble bit 1: error associated with data of fast channel 2 appeared.

Nibble bits 2 and 3: Serial Data message bits.

### Data Nibbles (Fast Channels)

Reserved signal ranges are defined by SAE J2716. Position/angle and temperature signal value ranges are limited to codes 1..4088 as shown in Table 14.

**Table 14. DATA NIBBLE RESERVED VALUES**

Signal	Value	Description
Error indicator	4089 .. 4095	Codes reserved for error indicators. Only value 4091 (Generic error) is used in NCV77320
Channel data	1 .. 4088	Valid data range
Initialization	0	Not used in NCV77320. SENT driver is not enabled in t_INIT phase

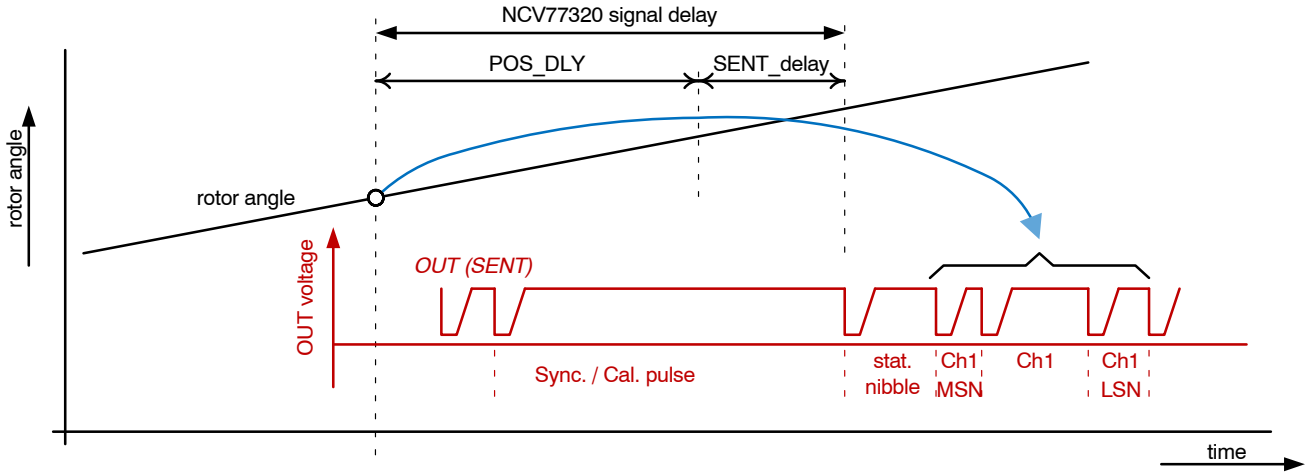
### Position / Angle Signal

Position/angle is provided on Fast Channel 1. The SENT nibble encoder is supplied with the PWL correction unit output “pos\_out[15:4]”.

# NCV77320

The total signal delay in the SENT configuration with pause pulse enabled is equal to (SENT\_delay + POS\_DLY). The delay is taken to the 1st falling edge of the status nibble.

Without pause pulse, additional delay varies between 0 μs and SENT frame length. SENT\_delay = 71 μs at typ. clock.



**Figure 23. Signal Delay in the SENT Frame**

### Temperature Signal

Temperature information is provided on Fast Channel 2. Temperature is coded as a 12-bit number according to SAE J2716 E.2.2.1:

- Slope  $S_{TF} = 8 \text{ LSB} / \text{K}$
- Offset  $T_{\text{OFFSET}} = 200 \text{ K}$

$$\text{temperature}[11:0] = \text{round}(S_{TF} \cdot (T[\text{K}] - T_{\text{OFFSET}}) / \text{K}) \quad (\text{eq. 5})$$

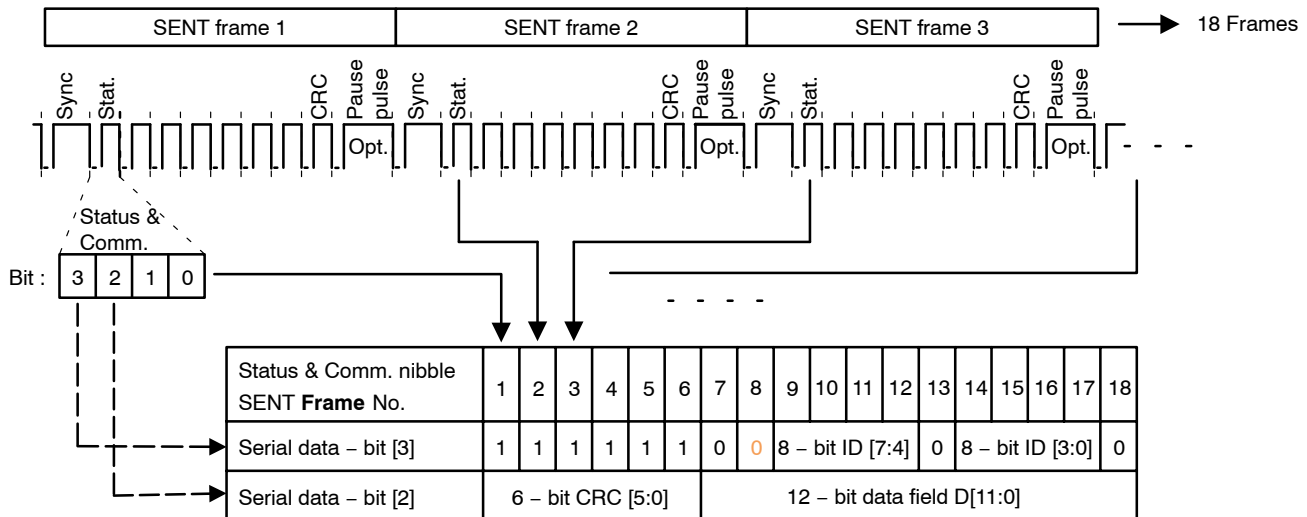
Numerical temperature output range is limited to 1 .. 4088 which corresponds to -73.025°C to 437.85°C.

### SENT Enhanced Serial Message

The NCV77320 makes use of the Enhanced serial channel for diagnostic and device information.

The Status bits 2 and 3 of the NCV77320 are used for the Enhanced serial channel operation. The drawing below shows the frame format. In total 18 SENT frames are used to build a full Enhanced serial message.

Bit 3 indicates the start of the Enhanced channel frame data when 6 consecutive “1” bits followed by one “0” is send. The configuration bit as being “0” and the 8 bits ID are following. Bit 2 contains only the CRC and 12 bits data content over the full Enhanced frame.



**Figure 24. Enhanced Slow Channels SENT Frame Format**

SENT serial communication is free running and not synchronized with any on chip failure. This means that depending on the error detected, the SENT driver is switched off (e.g. short at the output pin). The SENT serial

communication does not necessarily start with SENT frame No.1 after the error is released and by that, the Master module always should resynchronize to the next full frame indicated by the start bits.

Table 15. ENHANCED SERIAL MESSAGE SEQUENCE

Serial Message No.	Message ID	Description	Data Field D[11:0]
1	0x01	Failure flags	D[11:9] = 0x0, D[8:0] = fail_flags[8:0]
2	0x23	Temperature code	temp[11:0]
3	sent_idpg1[3:0] * 16 + sent_id11[3:0]	user data	sent_data_11[11:0]
4	sent_idpg1[3:0] * 16 + sent_id12[3:0]	user data	sent_data_12[11:0]
5	0x01	Failure flags	D[11:9] = 0x0, D[8:0] = fail_flags[8:0]
6	0x03	SENT sensor type	sent_sensor_type[11:0]
7	sent_idpg1[3:0] * 16 + sent_id13[3:0]	user data	sent_data_13[11:0]
8	sent_idpg1[3:0] * 16 + sent_id14[3:0]	user data	sent_data_14[11:0]
9	0x01	Failure flags	D[11:9] = 0x0, D[8:0] = fail_flags[8:0]
10	0x05	SENT manufacturer code	sent_manufacturer_code[11:0]
11	sent_idpg2[3:0] * 16 + sent_id21[3:0]	user data	sent_data_21[11:0]
12	sent_idpg2[3:0] * 16 + sent_id22[3:0]	user data	sent_data_22[11:0]
13	0x01	Failure flags	D[11:9] = 0x0, D[8:0] = fail_flags[8:0]
14	0x06	SENT protocol revision	sent_protocol_rev[11:0]
15	sent_idpg2[3:0] * 16 + sent_id23[3:0]	user data	sent_data_23[11:0]
16	sent_idpg2[3:0] * 16 + sent_id24[3:0]	user data	sent_data_24[11:0]
17	0x01	Failure flags	D[11:9] = 0x0, D[8:0] = fail_flags[8:0]
18	0x23	Temperature code	temp[11:0]
19	sent_idpg3[3:0] * 16 + sent_id31[3:0]	user data	sent_data_31[11:0]
20	sent_idpg3[3:0] * 16 + sent_id32[3:0]	user data	sent_data_32[11:0]
21	0x01	Failure flags	D[11:9] = 0x0, D[8:0] = fail_flags[8:0]
22	0x83	EX current code	D[11:8] = 0x0, D[7:0] = preset_curr[7:0]
23	sent_idpg3[3:0] * 16 + sent_id33[3:0]	user data	sent_data_33[11:0]
24	sent_idpg3[3:0] * 16 + sent_id34[3:0]	user data	sent_data_34[11:0]
25	0x01	Failure flags	D[11:9] = 0x0, D[8:0] = fail_flags[8:0]
26	0x85	V_REC amplitude	D[11:0] = vrec_amp[16:5]
27	sent_idpg4[3:0] * 16 + sent_id41[3:0]	user data	sent_data_41[11:0]
28	sent_idpg4[3:0] * 16 + sent_id42[3:0]	user data	sent_data_42[11:0]
29	0x01	Failure flags	D[11:9] = 0x0, D[8:0] = fail_flags[8:0]
30	0x87	SENT device ID	sent_dev_id[11:0]
31	sent_idpg4[3:0] * 16 + sent_id43[3:0]	user data	sent_data_43[11:0]
32	sent_idpg4[3:0] * 16 + sent_id44[3:0]	user data	sent_data_44[11:0]

Refer to the EEPROM data Table 21 and Table 22 for further information on the frame contents.

*SENT Serial Message CRC*

The CRC is computed as a function of the contents of serial data message bits [2] and [3] for status and communication nibbles / SENT frames 7–18 according to SAE J2716, section 5.2.4.3 Enhanced Serial Message Format CRC.

The SENT serial message CRC uses the polynomial  $X^6 + X^4 + X^3 + X^0$  with initial seed of 'b010101. The CRC is calculated from serial data bits [2] and [3] starting with Frame 7 ending Frame 18. The order of bits is:

- Frame 7 bit #2 (MSB of Data),
- Frame 7 bit #3 (as being 0),
- Frame 8 bit #2 (Bit 10 of Data),
- Frame 8 bit #3 (as being 0),
- 
- 
- 
- Frame 18 bit #2 (Bit 0 of Data),
- Frame 18 bit #3 (as being 0).

SPI INTERFACE

Physical Interface

The NCV77320 has an SPI interface that is aside of the Analog output or SENT output operation active.

When the application does not require SPI operation, the “spi\_ena” bit in the EEPROM should be set to “0”, the SPI\_CS\, SPI\_SI, SPI\_CLK and SPI\_SO pins should be tied to GND.

The VIO pin should be connected to the supply voltage (3.3 V or 5 V) of the micro controller that is used.

With the SPI interface, the NCV77320 is fully accessible and allows for event driven operation with the SPI\_INT\ pin.

The SPI interface works in 32 bit mode but is compatible with 16 and 8 bit SPI interfaces. The high level block diagram of the SPI slave is shown in the following figure.

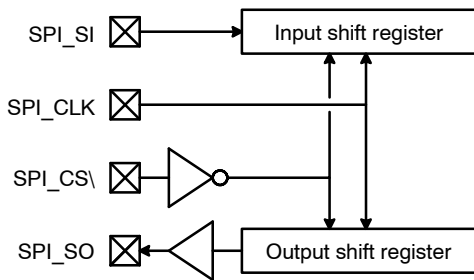


Figure 25. SPI High Level Block Diagram

Each frame contains 32 clock cycles that might be composed from 1 x 32 bits, 2 x 16 bits or 4 x 8 bits. When the NCV77320 does not receive 32 bits within one frame or received frame has wrong CRC, the message is discarded and an error bit indicates the “spi\_err” for the next successful SPI cycle. Error bit “pos\_err” is set when “pos\_out[15:0]” does not contain correct position data.

The data transfer is initiated by the SPI\_CS\ going low. The data that is then loaded in the output shift register is defined by the address of the previous valid SPI transfer. The output shift register is clocked out on the rising edge of the SPI\_CLK, the input shift register is clocked at the rising edge as well.

When the SPI\_CS\ is high, any signal at the SPI\_CLK and SPI\_SI pins is ignored and SPI\_SO is forced into a high impedance state.

The NCV77320 has two different frame structures. In Service mode, all registers of the device are accessible. In Operational mode only single word read operations are available.

SPI in Operational Mode

During Operational mode, there are 4 commands available. Table 16 shows the commands. Figure 26 shows the frame structure.

Table 16. COMMANDS OF THE SPI OPERATIONAL MODE

Command	CMD [1:0]	ADDRESS [5:0]	SPI_SO DATA[15:0]	SPI_SO CNT[3:0]	SPI_SO spi_err	SPI_SO pos_err	SPI_SI DATA[15:0]	Description
Read Run Time Data	0	Memory_RT ADDRESS [5:0]	Memory_RT DATA[15:0]	cnt[3:0]	spi_err	pos_err	ignored	read of a register indexed with the run time data address
Read Memory	1	Memory ADDRESS [5:0]	Memory DATA[5:0]	cnt[3:0]	spi_err	pos_err	ignored	read of a register indexed with the address
Kick Watchdog	2	0x3F	pos_out[15:0]	cnt[3:0]	spi_err	pos_err	[15:8] = WD_stop_time [7:0] = WD_start_time	write watchdog refresh, update WD window start and stop time in ms; read of the position/angle and failure flags
Write Key-code	3	0x3E	pos_out[15:0]	cnt[3:0]	spi_err	pos_err	ignored	write Key code to enter Service mode; read of the position/angle and failure flags

Counter cnt[3:0] is freely overflowing counter, which shall be incremented per each correctly received SPI frame.

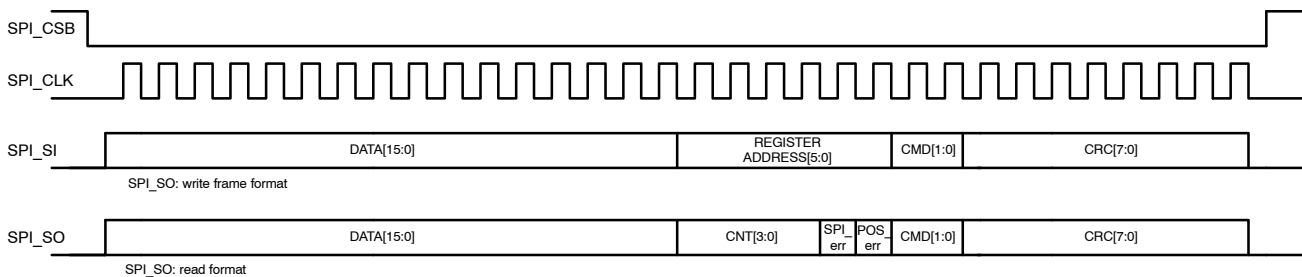
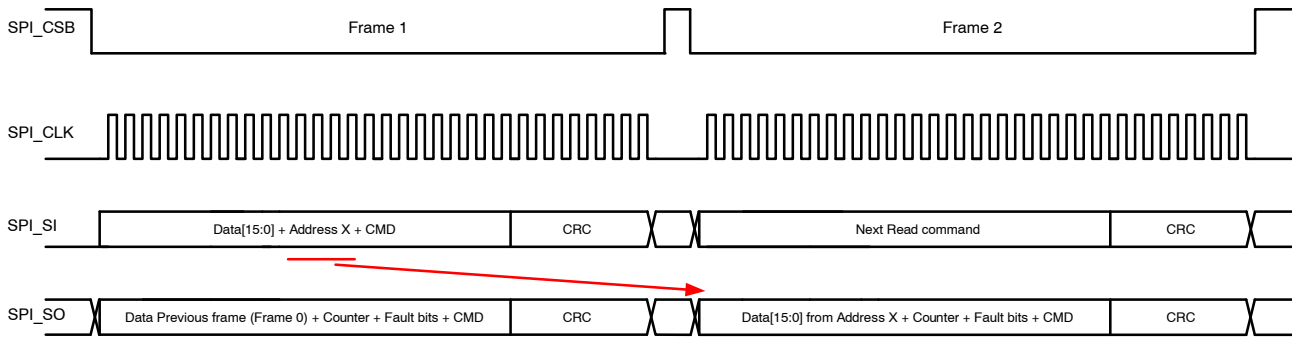


Figure 26. SPI Frame Structure for Operational Mode Operation

# NCV77320



**Figure 27. SPI Read Structure for Operational Mode Operation**

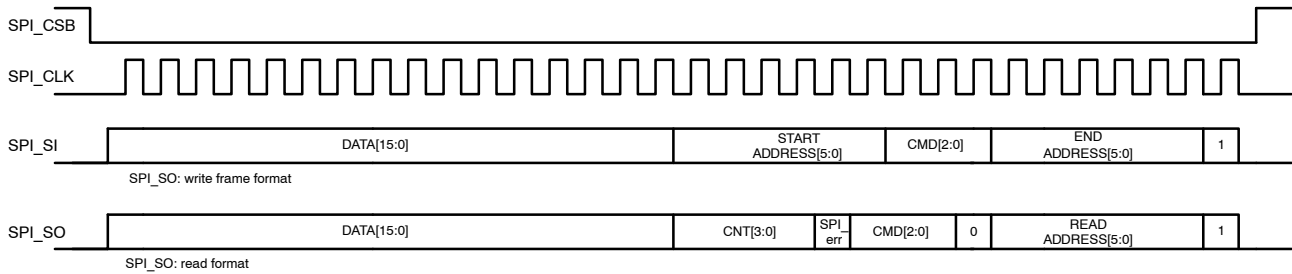
SPI CRC 8-bit code (ATM-8) is calculated over the whole data in the frame using polynomial 0x107, seed value is 0xFF.

Polynomial:

$$x^8 + x^2 + x^1 + x^0 \quad (\text{eq. 6})$$

## SPI in Service Mode

Figure 28 shows the command structure for Service mode. Sixteen bits are used for data. Next is a 6 bit start address, which selects an SPI address from where the data should be written or read. The command is given in the third byte, it is 3 bits long. The end address is given by the last 6 bits. While the Service mode is only used for End of line calibration, the messages do not contain a CRC for error detection and correction.



**Figure 28. SPI Frame Structure for Service Mode Operation**

**Table 17. COMMANDS OF THE SPI SERVICE MODE**

Command	CMD[2]	CMD[1]	CMD[0]	Description
WRITE	0	1	0	Write DATA[15:0] to memory bank to START ADDRESS[5:0]; END ADDRESS[5:0] is not used
READ	1	0	0	Read DATA[15:0] from memory bank from address START ADDRESS[5:0]; END ADDRESS[5:0] is not used
PROG	1	1	0	Program EEPROM address space between START ADDRESS[5:0] and END ADDRESS[5:0] with content from memory bank; DATA[15:0] not used
RFRH	0	0	0	Refresh EEPROM address space between START ADDRESS[5:0] and END ADDRESS[5:0] to memory bank; DATA[15:0] not used
VERIFY	0	0	1	Verify EEPROM content of address space between START ADDRESS[5:0] and END ADDRESS[5:0] with memory bank; DATA[15:0] not used
WRITE_RT	0	1	1	Write DATA[15:0] to run time memory bank to START ADDRESS[5:0]; END ADDRESS[5:0] is not used
READ_RT	1	0	1	Read DATA[15:0] from run time memory bank from address START ADDRESS[5:0]; END ADDRESS[5:0] is not used
EXIT	1	1	1	Exit from Service mode to Operational mode; DATA[15:0], START ADDRESS[5:0] and STOP ADDRESS[5:0] are not used

After “PROG” command, the device is busy for “ $T_{PROG}$ ” time with EEPROM programming. During that period, SPI response has all bits set to 1 and all incoming SPI frames are ignored.

After “VERIFY” command, master device should wait for “TVERIFY” and then “ee\_verify” (bit 15) can be checked by “READ\_RT” command of address 12.

Tables 21 and 22 show all the accessible registers and the description for the bit and word functions.

**SPI Interrupt Output**

The SPI interrupt is used to indicate to the micro controller that a new position/angle is available from the digital sampler or new ADC data is available in case of direct ADC

data read out. After reset, the SPI\_INT\ pin is high (Pull-up required to VIO). When a sample scan is finished, the SPI\_INT\ pin goes low. After the SPI read of the position the SPI\_INT\ pin is brought back to a high state again.

**Position/Angle Data Read Out (direct\_adc = 0)**

There are two modes of operation determined by the “spi\_int\_edge” parameter:

Level sensitive interrupt (spi\_int\_edge = 0) provides always latest available data via the “pos\_out[15:0]” register. If during the SPI transmission a new position becomes available, the SPI\_INT\ pin will stay low, to indicate that there is new data available again.

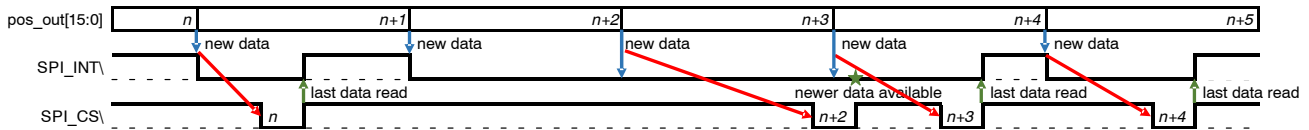


Figure 29. SPI Level Sensitive Interrupt spi\_int\_edge = 0

Edge sensitive interrupt (spi\_int\_edge = 1) provides the “pos\_out[15:0]” register data which was present at the SPI\_INT\ falling edge moment. If during the SPI

transmission a new position becomes available, the SPI\_INT\ pin will return to high level after the SPI transmission and the presence of the new data is not indicated.

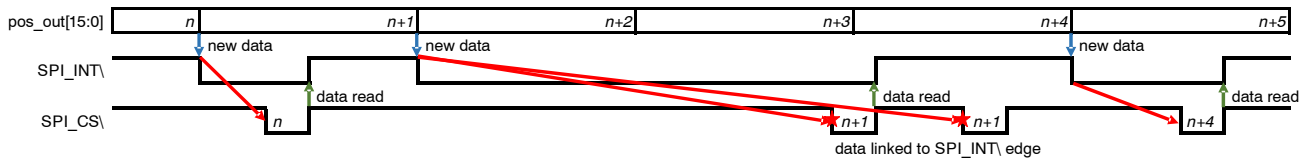


Figure 30. SPI Edge Sensitive Interrupt spi\_int\_edge = 1

**Direct ADC Data Read Out (direct\_adc = 1)**

Direct ADC mode is implemented for systems, which use the NCV77320 only for input sample acquisition. With this acquired channel information, the master module can calculate the position externally.

As direct ADC mode requires sampling to be bound together and acquired under the same condition (AGC etc), it is recommended that the SPI operation is always using the interrupt.

When the direct ADC mode is enabled, ADC data (registers “rec32\_amp[15:0]” and “rec21\_amp[15:0]” in runtime memory) are available to be read out and SPI\_INT\ always behaves like Edge sensitive. Very important is that the master device is well aware of correct pairing based on the interrupt signal and that it never will ask for data when the interrupt signal is high. In direct ADC mode, internally calculated position is not correct and therefore register “pos\_out[15:0]” is kept reset to 0.

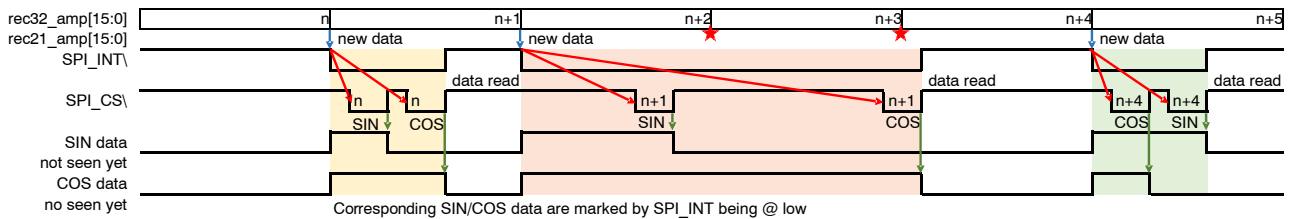


Figure 31. SPI Edge Sensitive Interrupt Direct\_adc = 1

SPI\_INT\ monitoring:

- **SPI\_INT\ error:** Is set when logic 0 is detected at SPI\_INT\ while no new position data is available (SPI\_INT\ should be high). Monitoring is active when

SPI is enabled and independently of whether level/edge sensitive interrupt is selected.

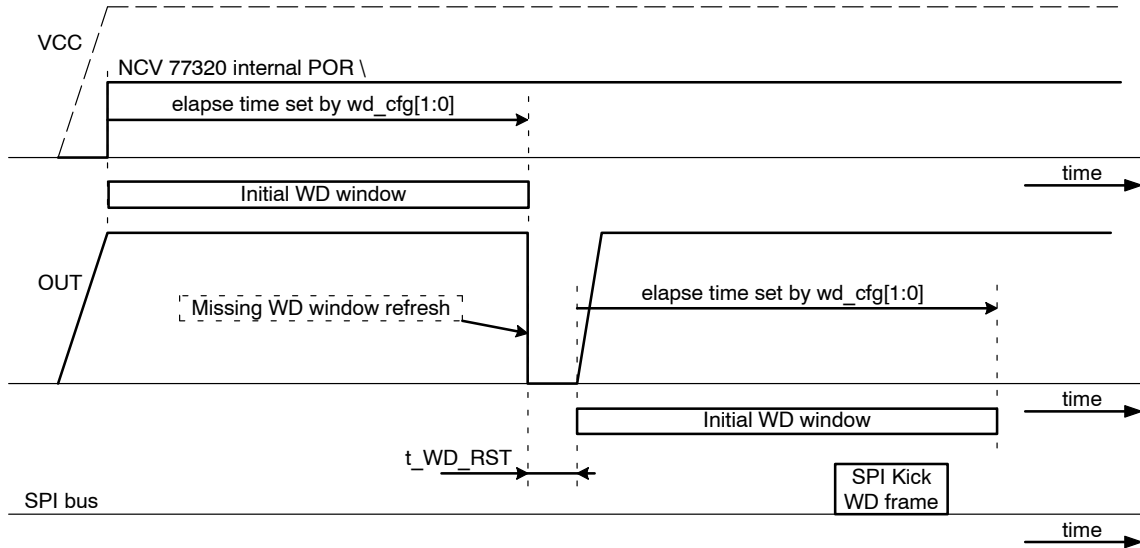
Output states and “fail\_flags[15:0]” register mapping are listed in Table 18.



**Watchdog**

The NCV77320 contains a watchdog that can be operated when SPI mode (“SPI\_ENA” bit) is selected. The Watchdog should be enabled in Service mode by writing a value in the EEPROM bit ”WD\_CFG[1:0]“ that is >0. When the value is ‘0’, the watchdog is disabled.

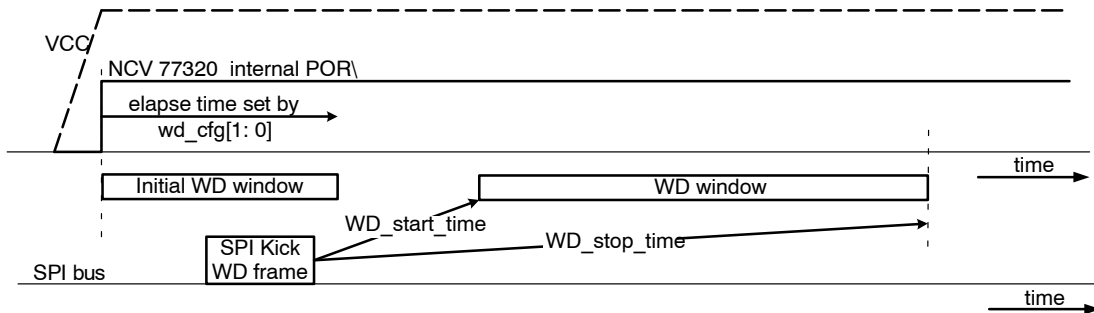
The value of “WD\_CFG[1:0]” is specifying the initial watchdog comparator value that is used after power on reset. The initial watchdog comparator value is applied also after NCV77320 initiates reset pulse on the OUT pin and after the Service mode is finished by issuing of EXIT command. Watchdog is inactive in Service mode.



**Figure 32. Initial Watchdog Window Settings**

When the Watchdog is enabled, repetitive SPI write frames Kick Watchdog (CMD[1:0] = 2) should be received by the NCV77320 to stay in operation. This command resets the watchdog counter and writes the new values WD\_start\_time [ms] for the window start and WD\_stop\_time [ms] for window stop times. The next Kick Watchdog (CMD[1:0] = 2) SPI command should be send

within the written window. When the Kick Watchdog SPI command arrives before start of the window (Early refresh) or didn't arrive before the end of the window (Late refresh), the OUT pin is forced low for a duration of “t\_WD\_RST” to reset or interrupt the system micro controller. The OUT pin is also forced low when Watchdog refresh contains invalid start and stop time, meaning start = 0 or start ≥ stop.



**Figure 33. Watchdog Window Control**

# NCV77320

## DIAGNOSTICS

The NCV77320 has several diagnostic circuitries to check for errors in the chip and connected coil structure in- and outputs.

**Table 18. Diagnostics**

Detected Failure	fail_flags[15:0]	V(OUT) Analogue Config	OUT SENT Config	SPI
Primary frequency out of limits	0	High Z (Note 12)	active	active
Primary amplitude too low	1	High Z (Note 12)	active	active
Primary common mode voltage out of range	2	High Z (Note 12)	active	active
Secondary coil open	3	High Z (Note 12)	active	active
Secondary coil short	4	High Z (Note 12)	active	active
Signal amplitude too low	5	High Z (Note 12)	active	active
Direct coupling compensation failure	6	High Z (Note 12)	active	active
Internal failure	7	High Z (Note 12)	active	active
PWL table monotonicity failure	8	High Z (Note 12)	active	active
GND loss	9	High Z (Note 12)	High Z	active
SPI_INT\ error	10	N.A.	N.A.	active
OUT pin overdriven	11	High Z (Note 12)	High Z	active
Supply voltage too high or low $V(VCC) > VCC\_OV$ or $V(VCC) < VCC\_UV$	12	High Z (Note 12)	High Z	active
Regulated voltage pulled high $V(VDD) > VDD\_OV$	13	High Z (Note 12)	High Z	active
Regulated voltage overloaded $V(VDD) < VDD\_OVLD$	14	High Z (Note 12)	High Z	active
Memory CRC failure	15	High Z (Note 12)	High Z	active

12. Pull-up RPU or pull-down RPD defines failure band

Diagnostic:

- *GND loss*: Detection of the GND pin connection loss
- *OUT pin overdriven*: Detection of the overdrive of the driver at OUT pin, works in both configurations – Analog/SENT

In Operating mode, part of failure flag register “fail\_flags[8:0]” is accessible via SENT Enhanced serial channel Message ID = 0x01.

Complete “fail\_flag[15:0]” is accessible in Service mode and in SPI mode.

SERIAL COMMUNICATION INTERFACE AT OUTPUT PIN

When the NCV77320 is operated with the Analog output or the SENT output, there is still need to access the registers of the chip for calibration purposes. For this reason, the Service mode is implemented.

The Serial interface is based on UART operation. Most micro controllers offer the UART interface that can operate with one start bit and one stop bit. The NCV77320 makes use of this principle.

Because there is only a single wire connection with the OUT pin, the Master module should make use of a bidirectional transceiver. During transmission, the driver of the transceiver is active. In receive mode the driver should

be placed in High-Z mode enabling the NCV77320 to drive the wire. The communication runs at 2.4 kBaud.

The NCV77320 is operating in slave mode. The Master module should initiate the transmission with the elevated VCC and the entering of the Service mode with the transmission of the Key-code. This Key-code of one byte, being 0x78, should arrive within the Key-code time frame as shown in Figure 16.

The Service mode message frames consist always of two command bytes and when needed two data bytes (as 16 bit word) or multiple words. The picture below shows the frame format for a write and read operation.

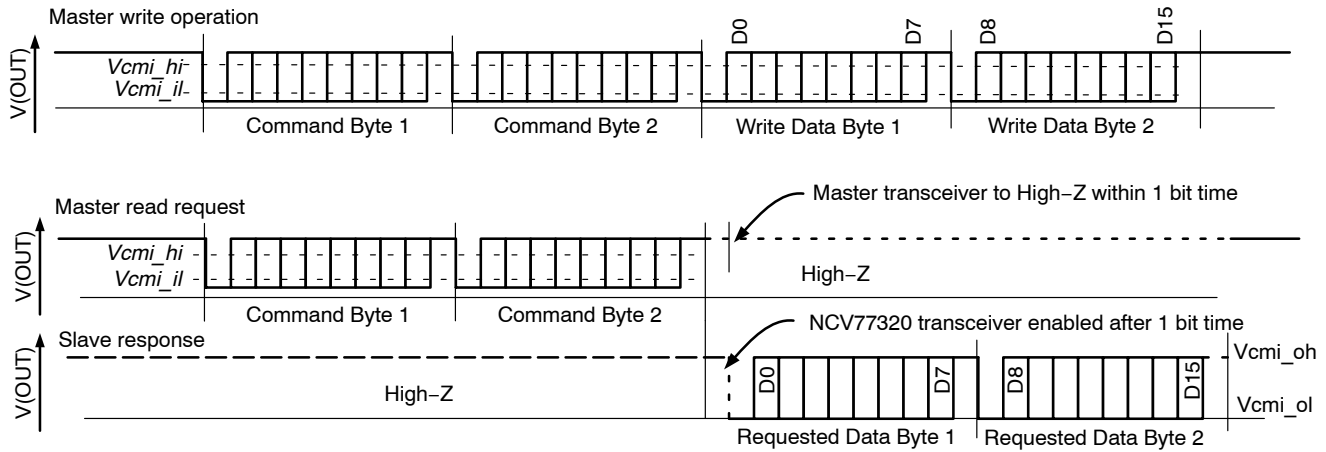


Figure 34. Serial Communication Writing Frame Format with One Word Data

The write frame always contains two command bytes (16 bit word). The first byte contains a 6 bits of a register end address and 1 bit of a command. The second command byte contains 2 bits of the command and 6 bits of a register start address. Table 19 shows the command frame bit assignment and Figure 34 shows the full frame contents. After the command is sent, the Master module should bring the transceiver to a High-Z mode, enabling the NCV77320 to take over the bus line. The NCV77320 will wait one bit time before sending the requested data words. When the

transmission is completed it will bring its transceiver back to High-Z mode.

The NCV77320 uses a timeout counter during operating of the Serial communication. The timeout counter is used with the command frames. This timeout is 30 bit long. When after reception of a byte no other bytes are received within the timeout time, the NCV77320 will go to the initial state for reception of command messages and discards the last incomplete received word.

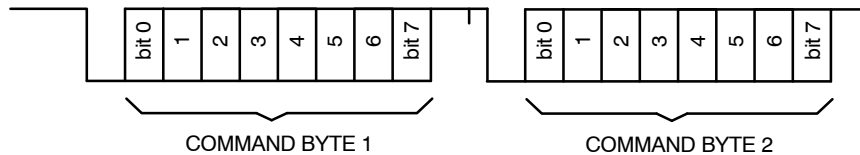


Figure 35. Serial Communication Command Structure

**Table 19. COMMAND FRAME BIT ASSIGNMENT**

Command Frame Bit	Command Byte 1	Command Byte 2
0	1	CMD[1]
1	END ADDRESS [0]	CMD[2]
2	END ADDRESS [1]	START ADDRESS [0]
3	END ADDRESS [2]	START ADDRESS [1]
4	END ADDRESS [3]	START ADDRESS [2]
5	END ADDRESS [4]	START ADDRESS [3]
6	END ADDRESS [5]	START ADDRESS [4]
7	CMD[0]	START ADDRESS [5]

The following table describes the commands available.

**Table 20. COMMANDS OF THE SERIAL COMMUNICATION INTERFACE**

Command	CMD[2]	CMD[1]	CMD[0]	Description
RFRH	0	0	0	Refresh data from EEPROM to memory, use range from START ADDRESS[5:0] to END ADDRESS[5:0], no data content follows. (Note 13)
VERIFY	0	0	1	Compare data from memory with EEPROM content, use range from START ADDRESS[5:0] to END ADDRESS[5:0], no data content follows. (Note 13)
WRITE	0	1	0	Write stream of data to memory, use range from START ADDRESS[5:0] to END ADDRESS[5:0], followed by proper number of data blocks. (Note 13, 14)
READ	1	0	0	Read stream of data from memory, use range from START ADDRESS[5:0] to END ADDRESS[5:0], followed by proper number of data blocks. (Note 13, 14)
PROG	1	1	0	Program data from memory to EEPROM, use range from START ADDRESS[5:0] to END ADDRESS[5:0], no data content follows. (Note 13)
WRITE_RT	0	1	1	Write stream of runtime data to memory, use range from START ADDRESS[5:0] to END ADDRESS[5:0], followed by proper number of data blocks. (Note 13, 14)
READ_RT	1	0	1	Read stream of runtime data from memory, use range from START ADDRESS[5:0] to END ADDRESS[5:0], followed by proper number of data blocks. (Note 13, 14)
EXIT	1	1	1	Leave Service mode if START ADDRESS[5:0] = 0; Stay in Service mode, but enable driver if START ADDRESS[5:0] > 0

13. Address END ADDRESS has to be greater or equal to address START ADDRESS, otherwise the command is not executed

14. Data blocks start with content on START ADDRESS, continues with data in ascending order of addresses and ends with content on END ADDRESS Only correctly received blocks are counted

During SERVICE mode, SENT or Analog driver can be activated. In order to do so, current capability of serial communication master output driver must be able to overdrive SENT or Analog driver of the NCV77320.

Driver is enabled after receiving “EXIT” command (Table 20) with non zero START ADDRESS.

To disable the SENT or Analog driver, serial communication master shall drive the OUT voltage to “Vout\_hi” level for duration of “Tpulse\_outh” time. This causes that OUT line is configured back for serial communication in service mode.

After “PROG” command, the device is busy for “T<sub>PROG</sub>” time with EEPROM programming. If a new command is received while the device is busy, the command is ignored and further communication is blocked until timeout is detected on the line to prevent any subsequent data bytes from being interpreted as another command.

After “VERIFY” command, master device should wait for “T<sub>VERIFY</sub>” and then “ee\_verify” (bit 15) can be checked by “READ\_RT” command of address 12.

Tables 21 and 22 show all the accessible registers and the description for the bit and word functions.

MEMORY MAP (EEPROM + STATE REGISTERS) CONTENTS TABLES

Table 21. CONFIGURATION MEMORY CONTENT

ADDRESS[5:0]	DATA[15:0] Bit Position	Access	Parameter	Description	Default Value
7	15:0	R/W	crc_cal[15:0]	CRC code protecting addresses 7 to 11	2866
8	1:0	R/W	wd_cfg[1:0]	Watchdog configuration 0 ... WD disabled 1 ... 5 ms Initial WD window 2 ... 20 ms Initial WD window 3 ... 200 ms Initial WD window	0
8	2	R/W	spi_ena	SPI interface 0 = inactive, SPI_SO = HiZ 1 = active	0
8	3	R/W	spi_int_edge	SPI interrupt SPI_INT\ mode 0 = Level triggered mode 1 = Edge triggered mode	0
8	4	R/W	direct_adc	Selection of the position data calculation 0 = internally 1 = externally (only direct ADC data provided)	0
8	10:8	R/W	dcc_pwr[2:0]	Direct coupling compensation magnifier	0
8	11	R/W	inp_diag_per	Input diagnostic period 0 = default / dual system chip A 1 = dual system chip B	0
8	12	R/W	sent_drv	OUT pin configuration 0 = Analogue driver 1 = SENT driver	0
8	13	R/W	sent_pause_pls	SENT Pause Pulse 0 = disabled 1 = enabled, length of SENT frame = t_PER	0
8	14	R/W	sent_ser_msg	SENT Enhanced serial message 0 = disabled 1 = enabled	0
8	15	R/W	sent_ch2_cnt	SENT channel 2 data content 0 = temperature (temp[11:0]) 1 = frame counter	0
9	15:0	R/W	pos_shift[15:0]	Position zero adjustment	0
10	6:0	R/W	dcc_c23[6:0]	Direct coupling compensation REC2–REC3 coefficient	0
10	7	R/W	dcc_sgn23	Direct coupling compensation REC2–REC3 sign	0
10	14:8	R/W	dcc_c12[6:0]	Direct coupling compensation REC1–REC2 coefficient	0
10	15	R/W	dcc_sgn12	Direct coupling compensation REC1–REC2 sign	0
11	14:0	R/W	fail_flag_dis[14:0]	Disables detections according to fail_flag[14:0] assignment	0
11	15	R/W	lock_cal	Lock bit for CAL part: addresses 7 – 11. When lock_cal is set, appropriate EEPROM addresses cannot be modified	0
12	15:0	R/W	crc_pos1[15:0]	CRC protection for addresses 12 – 20	29696
13	15:0	R/W	pwl_y0[15:0]	15–point PWL correction point P0	3296
14	15:0	R/W	pwl_x1[15:0]	15–point PWL correction point P1	65535
15	15:0	R/W	pwl_y1[15:0]	15–point PWL correction point P1	62240
16	15:0	R/W	pwl_x2[15:0]	15–point PWL correction point P2	0
17	15:0	R/W	pwl_y2[15:0]	15–point PWL correction point P2	0

Table 21. CONFIGURATION MEMORY CONTENT (continued)

ADDRESS[5:0]	DATA[15:0] Bit Position	Access	Parameter	Description	Default Value
18	15:0	R/W	pwl_x3[15:0]	15-point PWL correction point P3	0
19	15:0	R/W	pwl_y3[15:0]	15-point PWL correction point P3	0
20	15:0	R/W	pwl_x4[15:0]	15-point PWL correction point P4	0
21	15:0	R/W	crc_pos2[15:0]	CRC protection for addresses 21 – 29	8412
22	15:0	R/W	pwl_y4[15:0]	15-point PWL correction point P4	0
23	15:0	R/W	pwl_x5[15:0]	15-point PWL correction point P5	0
24	15:0	R/W	pwl_y5[15:0]	15-point PWL correction point P5	0
25	15:0	R/W	pwl_x6[15:0]	15-point PWL correction point P6	0
26	15:0	R/W	pwl_y6[15:0]	15-point PWL correction point P6	0
27	15:0	R/W	pwl_x7[15:0]	15-point PWL correction point P7	0
28	15:0	R/W	pwl_y7[15:0]	15-point PWL correction point P7	0
29	15:0	R/W	pwl_x8[15:0]	15-point PWL correction point P8	0
30	15:0	R/W	crc_pos3[15:0]	CRC protection for addresses 30 – 38	8412
31	15:0	R/W	pwl_y8[15:0]	15-point PWL correction point P8	0
32	15:0	R/W	pwl_x9[15:0]	15-point PWL correction point P9	0
33	15:0	R/W	pwl_y9[15:0]	15-point PWL correction point P9	0
34	15:0	R/W	pwl_x10[15:0]	15-point PWL correction point P10	0
35	15:0	R/W	pwl_y10[15:0]	15-point PWL correction point P10	0
36	15:0	R/W	pwl_x11[15:0]	15-point PWL correction point P11	0
37	15:0	R/W	pwl_y11[15:0]	15-point PWL correction point P11	0
38	15:0	R/W	pwl_x12[15:0]	15-point PWL correction point P12	0
39	15:0	R/W	crc_pos4[15:0]	CRC protection for addresses 39 – 43	2866
40	15:0	R/W	pwl_y12[15:0]	15-point PWL correction point P12	0
41	15:0	R/W	pwl_x13[15:0]	15-point PWL correction point P13	0
42	15:0	R/W	pwl_y13[15:0]	15-point PWL correction point P13	0
43	15:0	R/W	pwl_y14[15:0]	15-point PWL correction point P14	0
44	11:0	R/W	sent_sensor_type[11:0]	SENT enhanced message: Sensor type	0
44	15:12	R/W	sent_idpg1[3:0]	SENT enhanced message ID field	0
45	11:0	R/W	sent_manufacturer_code[11:0]	SENT enhanced message: Manufacturer code	0
45	15:12	R/W	sent_idpg2[3:0]	SENT enhanced message ID field	0
46	11:0	R/W	sent_protocol_rev[11:0]	SENT enhanced message: Protocol Revision	0
46	15:12	R/W	sent_idpg3[3:0]	SENT enhanced message ID field	0
47	11:0	R/W	sent_dev_id[11:0]	SENT enhanced message: Device ID	0
47	15:12	R/W	sent_idpg4[3:0]	SENT enhanced message ID field	0
48	11:0	R/W	sent_data_11[11:0]	SENT enhanced message data field	0
48	15:12	R/W	sent_id11[3:0]	SENT enhanced message ID field	0
49	11:0	R/W	sent_data_12[11:0]	SENT enhanced message data field	0
49	15:12	R/W	sent_id12[3:0]	SENT enhanced message ID field	0
50	11:0	R/W	sent_data_13[11:0]	SENT enhanced message data field	0
50	15:12	R/W	sent_id13[3:0]	SENT enhanced message ID field	0
51	11:0	R/W	sent_data_14[11:0]	SENT enhanced message data field	0

# NCV77320

**Table 21. CONFIGURATION MEMORY CONTENT** (continued)

ADDRESS[5:0]	DATA[15:0] Bit Position	Access	Parameter	Description	Default Value
51	15:12	R/W	sent_id14[3:0]	SENT enhanced message ID field	0
52	11:0	R/W	sent_data_21[11:0]	SENT enhanced message data field	0
52	15:12	R/W	sent_id21[3:0]	SENT enhanced message ID field	0
53	11:0	R/W	sent_data_22[11:0]	SENT enhanced message data field	0
53	15:12	R/W	sent_id22[3:0]	SENT enhanced message ID field	0
54	11:0	R/W	sent_data_23[11:0]	SENT enhanced message data field	0
54	15:12	R/W	sent_id23[3:0]	SENT enhanced message ID field	0
55	11:0	R/W	sent_data_24[11:0]	SENT enhanced message data field	0
55	15:12	R/W	sent_id24[3:0]	SENT enhanced message ID field	0
56	11:0	R/W	sent_data_31[11:0]	SENT enhanced message data field	0
56	15:12	R/W	sent_id31[3:0]	SENT enhanced message ID field	0
57	11:0	R/W	sent_data_32[11:0]	SENT enhanced message data field	0
57	15:12	R/W	sent_id32[3:0]	SENT enhanced message ID field	0
58	11:0	R/W	sent_data_33[11:0]	SENT enhanced message data field	0
58	15:12	R/W	sent_id33[3:0]	SENT enhanced message ID field	0
59	11:0	R/W	sent_data_34[11:0]	SENT enhanced message data field	0
59	15:12	R/W	sent_id34[3:0]	SENT enhanced message ID field	0
60	11:0	R/W	sent_data_41[11:0]	SENT enhanced message data field	0
60	15:12	R/W	sent_id41[3:0]	SENT enhanced message ID field	0
61	11:0	R/W	sent_data_42[11:0]	SENT enhanced message data field	0
61	15:12	R/W	sent_id42[3:0]	SENT enhanced message ID field	0
62	11:0	R/W	sent_data_43[11:0]	SENT enhanced message data field	0
62	15:12	R/W	sent_id43[3:0]	SENT enhanced message ID field	0
63	11:0	R/W	sent_data_44[11:0]	SENT enhanced message data field	0
63	15:12	R/W	sent_id44[3:0]	SENT enhanced message ID field	0

# NCV77320

## Memory CRC Checksum

Memory CRC 16-bit code (CRC-16-DNP) is calculated using polynomial 0x13D65, seed value is 0xFFFF

Polynomial:

$$x^{16} + x^{13} + x^{12} + x^{11} + x^{10} + x^8 + x^6 + x^5 + x^2 + x^0 \quad (\text{eq. 7})$$

**Table 22. RUN TIME MEMORY CONTENT**

ADDRESS[5:0]	DATA[15:0] Bit Position	Access	Parameter	Description	Default Value
0	15:0	R.O.	pos_out[15:0]	Internal DSP variables	N.A.
1	15:0	R.O.	vrec_amp[16:1]	Internal DSP variables	N.A.
2	15:0	R.O.	rec32_amp[15:0] /rec32_amp[15:0] (dcc_cal[1:0]=1)/ rec21_amp[15:0] (dcc_cal[1:0]=2)	Internal DSP variables selected by dcc_cal[1:0] (data are valid only when direct_adc = 1 or dcc_cal[1:0] = 1 or 2)	N.A.
3	15:0	R.O.	rec21_amp[15:0]/ rec21_amp[15:0] (dcc_cal[1:0]=1) / rec13_amp[15:0] (dcc_cal[1:0]=2)	Internal DSP variables selected by dcc_cal[1:0] (data are valid only when direct_adc = 1 or dcc_cal[1:0] = 1 or 2)	N.A.
4	13:0	R.O.	ex_amp[13:0]	LC oscillator amplitude value	N.A.
5	2:0	R.O.	ex_scale[2:0]	Primary to secondary scale factor	N.A.
6	11:0	R.O.	temp_code[11:0]	Die temperature temp[11:0] = round((8 * (T[K] - 200 K)) / [K])	N.A.
7	10:0	R.O.	vout_amp[10:0]	sent_drv=0 & (spi_ena=0   wd_cfg[1:0]=0)	N.A.
8	15:0	R.O.	fail_flags[15:0]	Refer to table 18: Diagnostics	N.A.
9	1:0	R/W	dcc_cal[1:0]	Read-out data selection bit	0
9	2	R/W	gain_frz	Freeze of the gain	0
9	3	R/W	osc_frz	Freeze of the oscillator	0
10	4:0	R/W	agc_gain[4:0]	AGC gain, writable if gain_frz = 1	N.A.
10	14:8	R/W	adc_off[6:0]	Front-end ADC offset, writable if gain_frz = 1	0
11	7:0	R/W	preset_curr[7:0]	Oscillator driving current, writable if osc_frz = 1	0
12	15	R.O.	ee_verify	EEPROM verify operation status	N.A.
63	7:0	R.O.	wd_cnt[7:0]	Watchdog counter	N.A.



# NCV77320

## APPLICATION SPECIFIC INFORMATION

### Application Set-ups for Functional Safety

The NCV77320 has the capability to operate with a second chip to achieve a conclusive position. Several application diagrams can be imagined ranging from ASIL B

to a higher functional safety level. In the following pictures some topologies are depicted.

In dual chip configuration, “inp\_diag\_per” bit shall be programmed differently for each device.

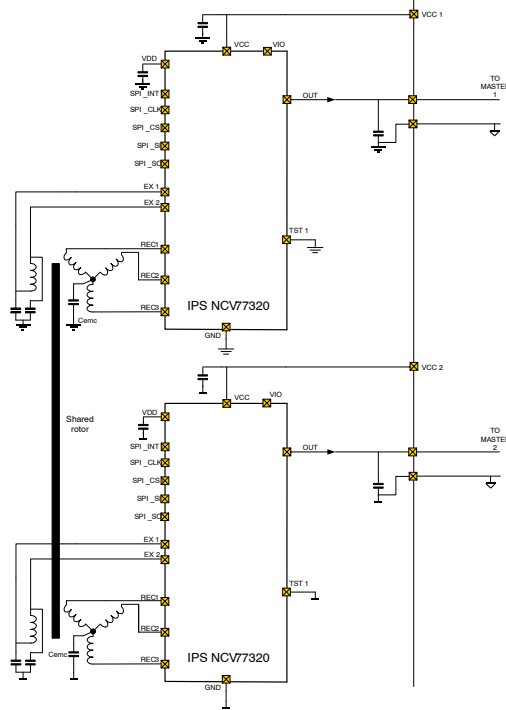


Figure 36. Dual Chip Configuration with Split Supplies and Common Rotor

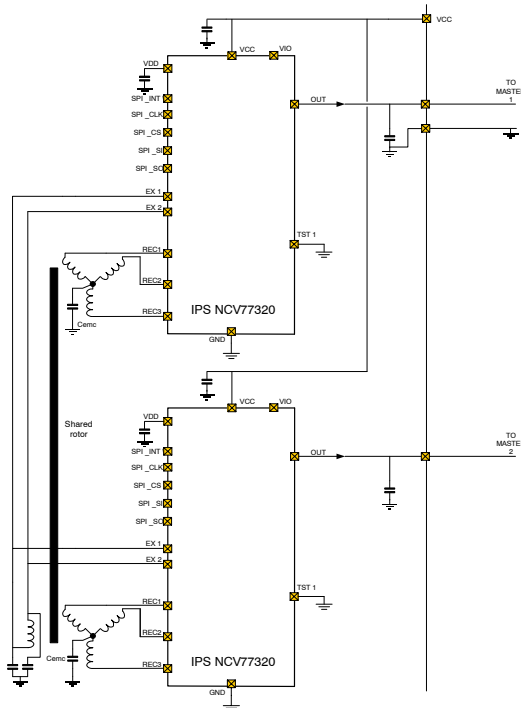


Figure 37. Dual Chip Configuration with Shared Supplies and Excitation Source with Common Rotor

**CRC Calculations Language Examples**

*SPI CRC 8-bit Code (ATM-8)*

Input parameter for function is 32 bit SPI frame with 0x00 at CRC position (bits [7:0]) of the SPI frame.

```
uint8_t calc_crc_spi(uint32_t data) { //8-bit CRC with seed 0xFF and polynom 0x107

    uint32_t polynom = 0x10700000 << 3, crc = 0;
    uint8_t shift = 0, roll_back = 0;

    crc = 0xFF000000 | ((data >> 8) & 0x00FFFFFF); //data init

    while (shift <= 23) { //shift and if 1 perform XOR

        if ((crc & (1 << (31 - shift))) != 0) {
            crc = crc^(polynom);
        }
        shift++;
        polynom = polynom >> 1;

        if (shift == 8 && roll_back == 0) { //shift back 8 bits to add 8 zeros at the end
            shift = 0; //of the frame for proper result
            crc = crc << 8;
            roll_back = 1;
            polynom = polynom << 8;
        }
    }
    return crc;
}

//example of use

int main(void) {
    volatile uint8_t result;
    uint32_t SPI_frame = 0x0A02FE00; //command for watchdog kick with window 2 to 10 ms
    result = calc_crc_spi(SPI_frame); //result = 0x88
}
```

*CRC Calculation for checksum Nibble of the SENT Frame*

```
uint8_t calc_crc_fast_msg(uint32_t data) { //4-bit CRC with seed 5 and polynom 0x1D

    uint32_t polynom = 0x1D000000 << 3, crc = 0;
    uint8_t shift = 0;

    crc = 0x50000000 | (data & 0x0FFFFFFF0); //data init

    while (shift <= 27) { //shift and if 1 perform XOR
        if ((crc & (1 << (31 - shift))) != 0) {
            crc = crc^(polynom >> (shift));
        }
        shift++;
    }
    return crc;
}

//example of use

int main(void) {
    uint32_t SENT_frame = 0x8301F332; //32 bits, from MSB to LSB: status and comm
    volatile uint8_t result; //nbl, data nbl 1 ... data nbl 6, CRC nibble
    result = calc_crc_fast_msg(SENT_frame); //result = 0x02, SENT frame is valid
}
```

*SENT Serial Message CRC – Slow Channel*

```

ID   = 0x85   =   0b1000 0101
data = 0x2B1  = 0b0010 1011 0001
crc_frame = 0b0000 1100 1000 1010 0100 0110; //organized according to SENT serial message
                                                //CRC chapter and figure 24 from ID and data

uint8_t calc_crc_slow_msg(uint32_t data) { //6-bit CRC with seed 0x15 and polynom 0x59

    uint32_t polynom = 0x59000000 << 1, crc = 0;
    uint8_t shift = 0, roll_back = 0;

    crc = 0x15000000 | (data & 0x00FFFFFF); //data init

    while (shift <= 25) { //shift and if 1 perform XOR
        if ((crc & (1 << (31 - shift))) != 0) {
            crc = crc^(polynom >> (shift));
        }
        shift++;

        if (shift == 6 && roll_back == 0) { //shift back 6 bits to add 6 zeros at the end
            shift = 0; //of the message for proper result
            crc = crc << 6;
            roll_back = 1;
        }
    }
    return crc;
}

int main(void) { //example of use
    volatile uint8_t result;
    uint32_t crc_frame = 0b000011001000101001000110;
    result = calc_crc_slow_msg(crc_frame); //result = 0x3D
}

```

## NCV77320

### Memory CRC 16-bit code (CRC-16-DNP)

CRC calculation in the chip is starting with seed, then data from MSB of the high address to LSB low address in the chip

memory and trailing zeros (e.g. 0xFFFF, data from MSB addr 29 to LSB addr 22 and 0x0000).

```
uint16_t calc_memory_crc16(uint8_t address_start, uint8_t address_end, uint16_t *data) {

    uint32_t polynom = 0x13D65000 << 3, crc;
    uint8_t polynom_shift = 0, current_step = 0, step_count;

    crc = 0xFFFF0000 | data[address_end];           //data init
    step_count = address_end - address_start + 1;

    do {
        current_step++;
        for (polynom_shift = 0; polynom_shift < 16; polynom_shift++) {
            if ((crc & (1 << (31 - polynom_shift))) != 0) { //XOR and shifting
                crc = crc^(polynom);
            }
            polynom = polynom >> 1;
        }
        polynom = 0x13D65000 << 3;
        crc = crc << 16;
        if (current_step < step_count){
            crc = crc | data[address_end - current_step]; //load new 16 bit data
        }
    }while (current_step <= step_count);
    crc = crc >> 16;
    return crc;
}

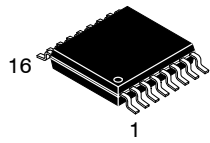
//example of use

int main(void) {
    volatile uint16_t IPS_Memory [64], result;

    IPS_Memory[22] = 50000;
    IPS_Memory[23] = 10000;
    IPS_Memory[24] = 42000;
    IPS_Memory[25] = 21000;
    IPS_Memory[26] = 30000;
    IPS_Memory[27] = 29000;
    IPS_Memory[28] = 18000;
    IPS_Memory[29] = 40000;

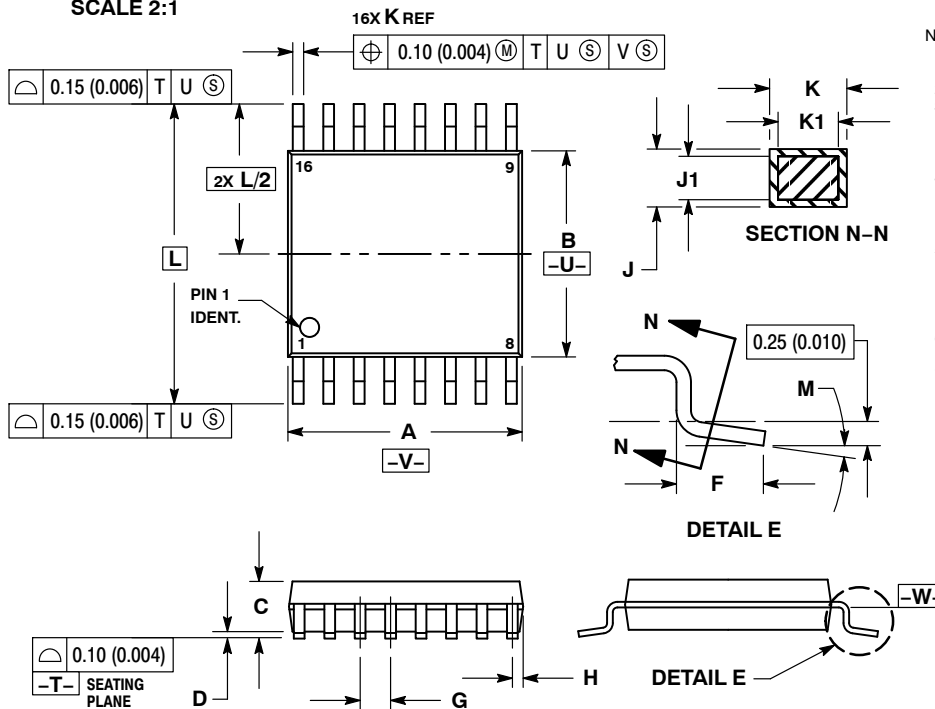
    result = calc_memory_crc16(22,29, IPS_Memory); //result = 31446 (0x7AD6)
}
```

# MECHANICAL CASE OUTLINE PACKAGE DIMENSIONS



**TSSOP-16 WB**  
CASE 948F  
ISSUE B

DATE 19 OCT 2006

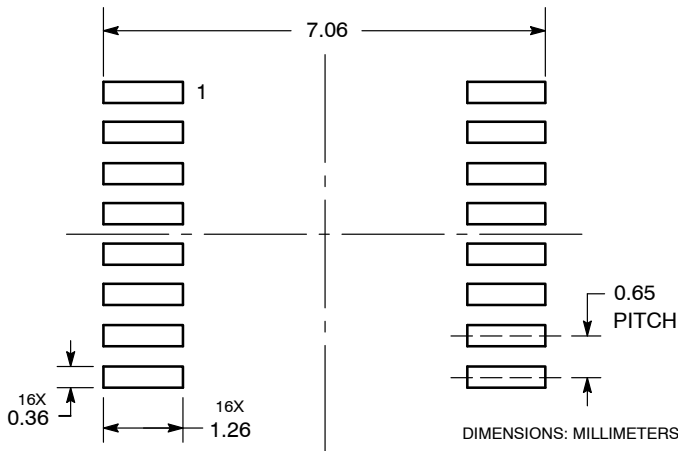


**NOTES:**

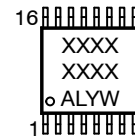
1. DIMENSIONING AND TOLERANCING PER ANSI Y14.5M, 1982.
2. CONTROLLING DIMENSION: MILLIMETER.
3. DIMENSION A DOES NOT INCLUDE MOLD FLASH, PROTRUSIONS OR GATE BURRS. MOLD FLASH OR GATE BURRS SHALL NOT EXCEED 0.15 (0.006) PER SIDE.
4. DIMENSION B DOES NOT INCLUDE INTERLEAD FLASH OR PROTRUSION. INTERLEAD FLASH OR PROTRUSION SHALL NOT EXCEED 0.25 (0.010) PER SIDE.
5. DIMENSION K DOES NOT INCLUDE DAMBAR PROTRUSION. ALLOWABLE DAMBAR PROTRUSION SHALL BE 0.08 (0.003) TOTAL IN EXCESS OF THE K DIMENSION AT MAXIMUM MATERIAL CONDITION.
6. TERMINAL NUMBERS ARE SHOWN FOR REFERENCE ONLY.
7. DIMENSION A AND B ARE TO BE DETERMINED AT DATUM PLANE -W-.

DIM	MILLIMETERS		INCHES	
	MIN	MAX	MIN	MAX
A	4.90	5.10	0.193	0.200
B	4.30	4.50	0.169	0.177
C	---	1.20	---	0.047
D	0.05	0.15	0.002	0.006
F	0.50	0.75	0.020	0.030
G	0.65 BSC		0.026 BSC	
H	0.18	0.28	0.007	0.011
J	0.09	0.20	0.004	0.008
J1	0.09	0.16	0.004	0.006
K	0.19	0.30	0.007	0.012
K1	0.19	0.25	0.007	0.010
L	6.40 BSC		0.252 BSC	
M	0°	8°	0°	8°

**RECOMMENDED  
SOLDERING FOOTPRINT\***



**GENERIC  
MARKING DIAGRAM\***



- XXXX = Specific Device Code
- A = Assembly Location
- L = Wafer Lot
- Y = Year
- W = Work Week
- G or ■ = Pb-Free Package

\*This information is generic. Please refer to device data sheet for actual part marking. Pb-Free indicator, "G" or microdot "■", may or may not be present. Some products may not follow the Generic Marking.

\*For additional information on our Pb-Free strategy and soldering details, please download the **onsemi** Soldering and Mounting Techniques Reference Manual, SOLDERRM/D.

<b>DOCUMENT NUMBER:</b>	<b>98ASH70247A</b>	Electronic versions are uncontrolled except when accessed directly from the Document Repository. Printed versions are uncontrolled except when stamped "CONTROLLED COPY" in red.
<b>DESCRIPTION:</b>	<b>TSSOP-16</b>	<b>PAGE 1 OF 1</b>

onsemi and onsemi are trademarks of Semiconductor Components Industries, LLC dba onsemi or its subsidiaries in the United States and/or other countries. onsemi reserves the right to make changes without further notice to any products herein. onsemi makes no warranty, representation or guarantee regarding the suitability of its products for any particular purpose, nor does onsemi assume any liability arising out of the application or use of any product or circuit, and specifically disclaims any and all liability, including without limitation special, consequential or incidental damages. onsemi does not convey any license under its patent rights nor the rights of others.

**onsemi**, **Onsemi**, and other names, marks, and brands are registered and/or common law trademarks of Semiconductor Components Industries, LLC dba "**onsemi**" or its affiliates and/or subsidiaries in the United States and/or other countries. **onsemi** owns the rights to a number of patents, trademarks, copyrights, trade secrets, and other intellectual property. A listing of **onsemi**'s product/patent coverage may be accessed at [www.onsemi.com/site/pdf/Patent-Marking.pdf](http://www.onsemi.com/site/pdf/Patent-Marking.pdf). **onsemi** reserves the right to make changes at any time to any products or information herein, without notice. The information herein is provided "as-is" and **onsemi** makes no warranty, representation or guarantee regarding the accuracy of the information, product features, availability, functionality, or suitability of its products for any particular purpose, nor does **onsemi** assume any liability arising out of the application or use of any product or circuit, and specifically disclaims any and all liability, including without limitation special, consequential or incidental damages. Buyer is responsible for its products and applications using **onsemi** products, including compliance with all laws, regulations and safety requirements or standards, regardless of any support or applications information provided by **onsemi**. "Typical" parameters which may be provided in **onsemi** data sheets and/or specifications can and do vary in different applications and actual performance may vary over time. All operating parameters, including "Typicals" must be validated for each customer application by customer's technical experts. **onsemi** does not convey any license under any of its intellectual property rights nor the rights of others. **onsemi** products are not designed, intended, or authorized for use as a critical component in life support systems or any FDA Class 3 medical devices or medical devices with a same or similar classification in a foreign jurisdiction or any devices intended for implantation in the human body. Should Buyer purchase or use **onsemi** products for any such unintended or unauthorized application, Buyer shall indemnify and hold **onsemi** and its officers, employees, subsidiaries, affiliates, and distributors harmless against all claims, costs, damages, and expenses, and reasonable attorney fees arising out of, directly or indirectly, any claim of personal injury or death associated with such unintended or unauthorized use, even if such claim alleges that **onsemi** was negligent regarding the design or manufacture of the part. **onsemi** is an Equal Opportunity/Affirmative Action Employer. This literature is subject to all applicable copyright laws and is not for resale in any manner.

## ADDITIONAL INFORMATION

### TECHNICAL PUBLICATIONS:

Technical Library: [www.onsemi.com/design/resources/technical-documentation](http://www.onsemi.com/design/resources/technical-documentation)  
onsemi Website: [www.onsemi.com](http://www.onsemi.com)

### ONLINE SUPPORT: [www.onsemi.com/support](http://www.onsemi.com/support)

For additional information, please contact your local Sales Representative at [www.onsemi.com/support/sales](http://www.onsemi.com/support/sales)