

Power On Reset Circuit

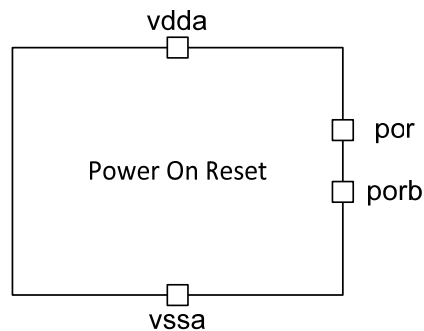
Description

The HX11PA is a power on reset (POR) circuitry block with complimentary release signals. The rising supply voltage threshold is approximately 2.1V. The falling supply voltage threshold is approximately 1.9V. Suitable for environments of -55°C to 125°C, the POR works with both fast and slow supply ramps.

Features

- Reliable POR operation
- Monotonic output
- Wide supply ramp tolerance
- 3.3V analog supply
- Military temperature range: -55°C to 125°C
- Dimensions: 85um x 35um (0.003mm²)

Block Diagram



Applications

- General power on reset functions

Specifications

Parameter	Conditions	Min	Typ	Max	Unit
Analog Supply Voltage	±10%	2.97	3.3	3.63	V
Temperature Range		-55	27	125	°C
POR Release	Rising Supply		2.1		V
	Falling Supply		1.9		V
Supply Ramp Rate	0V to 3.3V	10u		1	s

For more information about all of products, please visit our website at
www.hexiussemi.com