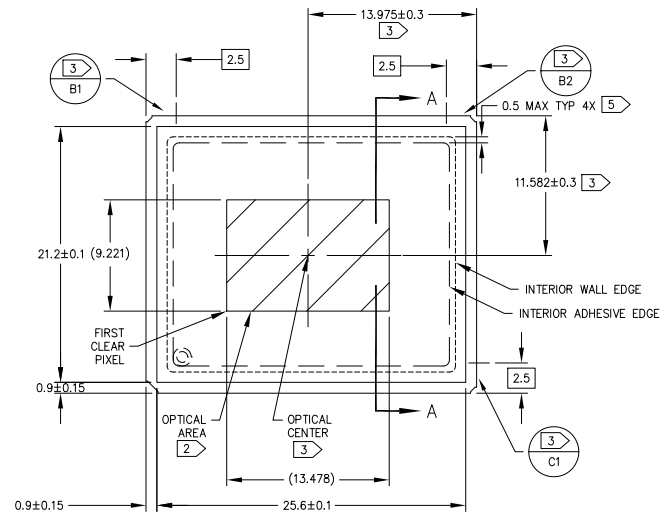
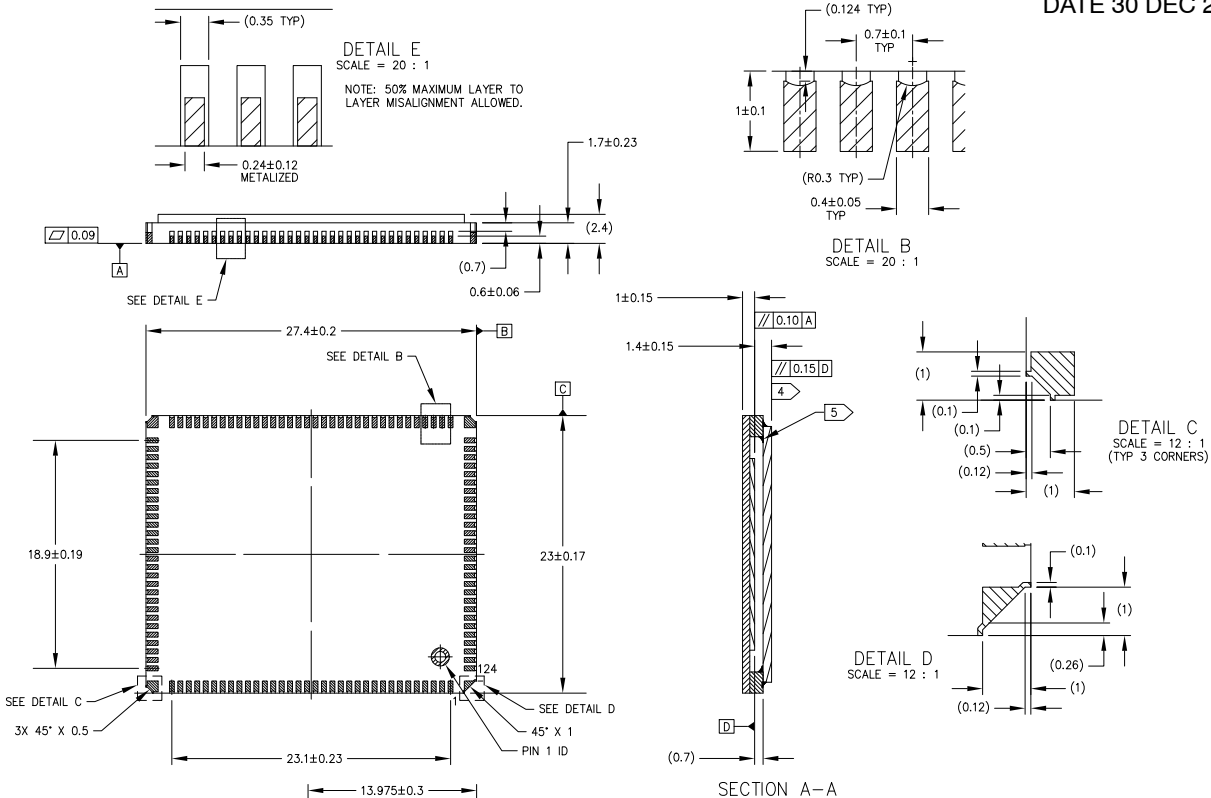




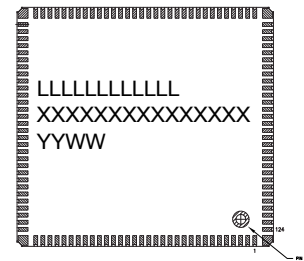
CLCC124 27.4x23
CASE 848AG
ISSUE 0

DATE 30 DEC 2014



NOTES	
1	DIMENSIONS IN MM. DIMENSIONS IN () ARE FOR REFERENCE ONLY. DO NOT MEASURE PRINTED DRAWING.
2	MAXIMUM ROTATION OF OPTICAL AREA RELATIVE TO DATUMS B1, B2 AND C1: ±0.5°.
3	MAXIMUM FLATNESS OF OPTICAL AREA BETWEEN 0°C AND 50°C: 7 MICRONS.
4	OPTICAL CENTER POSITION DETERMINED WITH RESPECT TO DATUMS B1, B2 AND C1. DATUMS B1, B2 & C1 DETERMINED FROM FLAT AREA 2MM WIDTH X 0.5MM MIN DEPTH.
5	GLASS PARALLELISM APPLIES ONLY TO AREA DIRECTLY ABOVE OPTICAL AREA.
5	GLASS ADHESIVE MATERIAL NOT TO EXTEND BEYOND THE EXTERNAL BOUNDARIES OF THE PACKAGE SEALING AREA

GENERIC MARKING DIAGRAM*



YY = Year
 WW = Work Week

*This information is generic. Please refer to device data sheet for actual part marking. Pb-Free indicator, "G" or microdot "µ", may or may not be present.

DOCUMENT NUMBER:	98AON93124F	Electronic versions are uncontrolled except when accessed directly from the Document Repository. Printed versions are uncontrolled except when stamped "CONTROLLED COPY" in red.
DESCRIPTION:	CLCC124 27.4X23	PAGE 1 OF 1

ON Semiconductor and ON are trademarks of Semiconductor Components Industries, LLC dba ON Semiconductor or its subsidiaries in the United States and/or other countries. ON Semiconductor reserves the right to make changes without further notice to any products herein. ON Semiconductor makes no warranty, representation or guarantee regarding the suitability of its products for any particular purpose, nor does ON Semiconductor assume any liability arising out of the application or use of any product or circuit, and specifically disclaims any and all liability, including without limitation special, consequential or incidental damages. ON Semiconductor does not convey any license under its patent rights nor the rights of others.