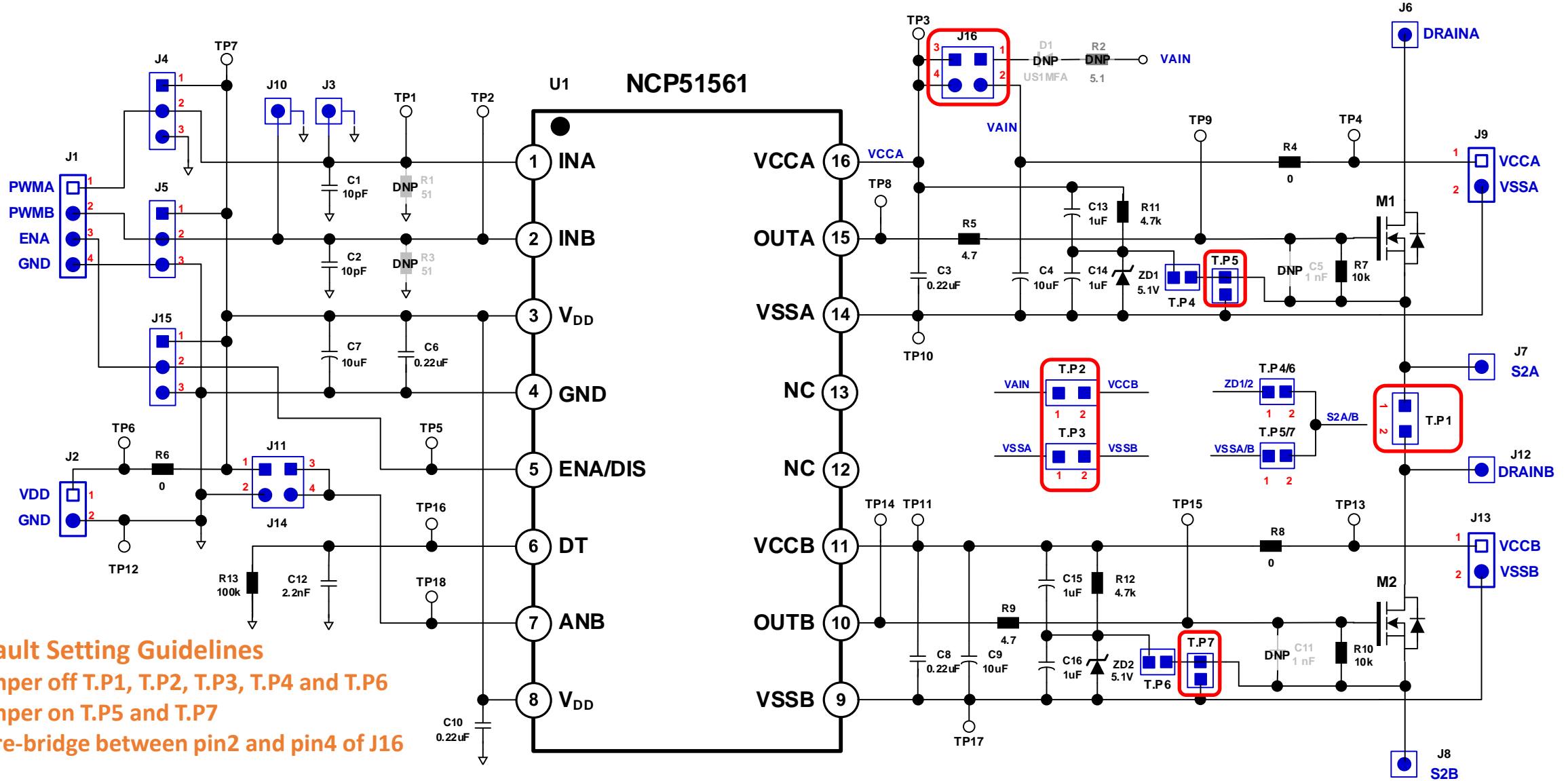


**EVBUM2817 – NCP51561 Evaluation Board**  
**NCP51561 EVB Schematics for Type-A, B and C**

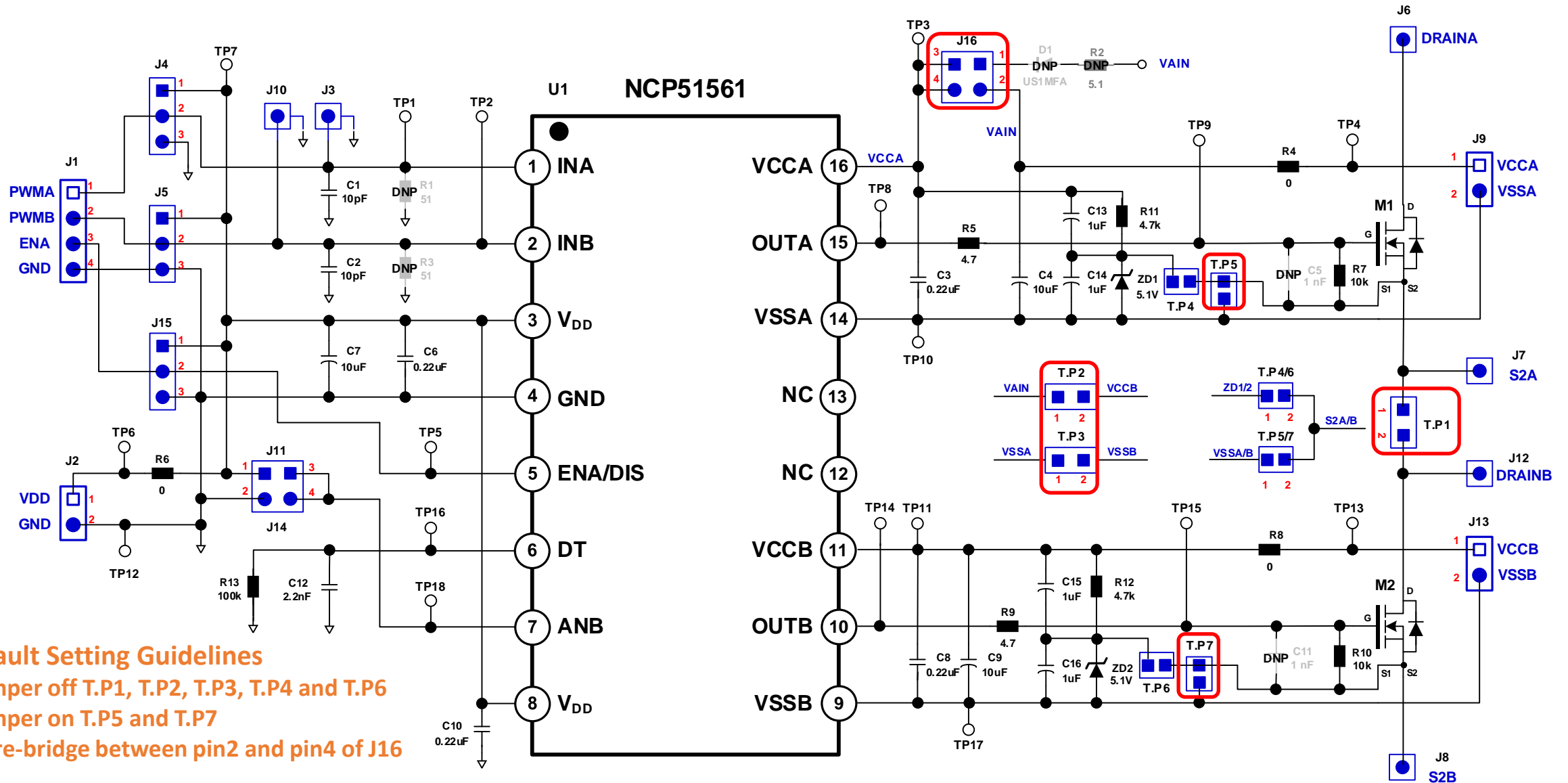
# EVBUM2817 - Type-A EVB Schematic for TO-220, and TO-3P



## Default Setting Guidelines

- Jumper off T.P.1, T.P.2, T.P.3, T.P.4 and T.P.6
- Jumper on T.P.5 and T.P.7
- Wire-bridge between pin2 and pin4 of J16

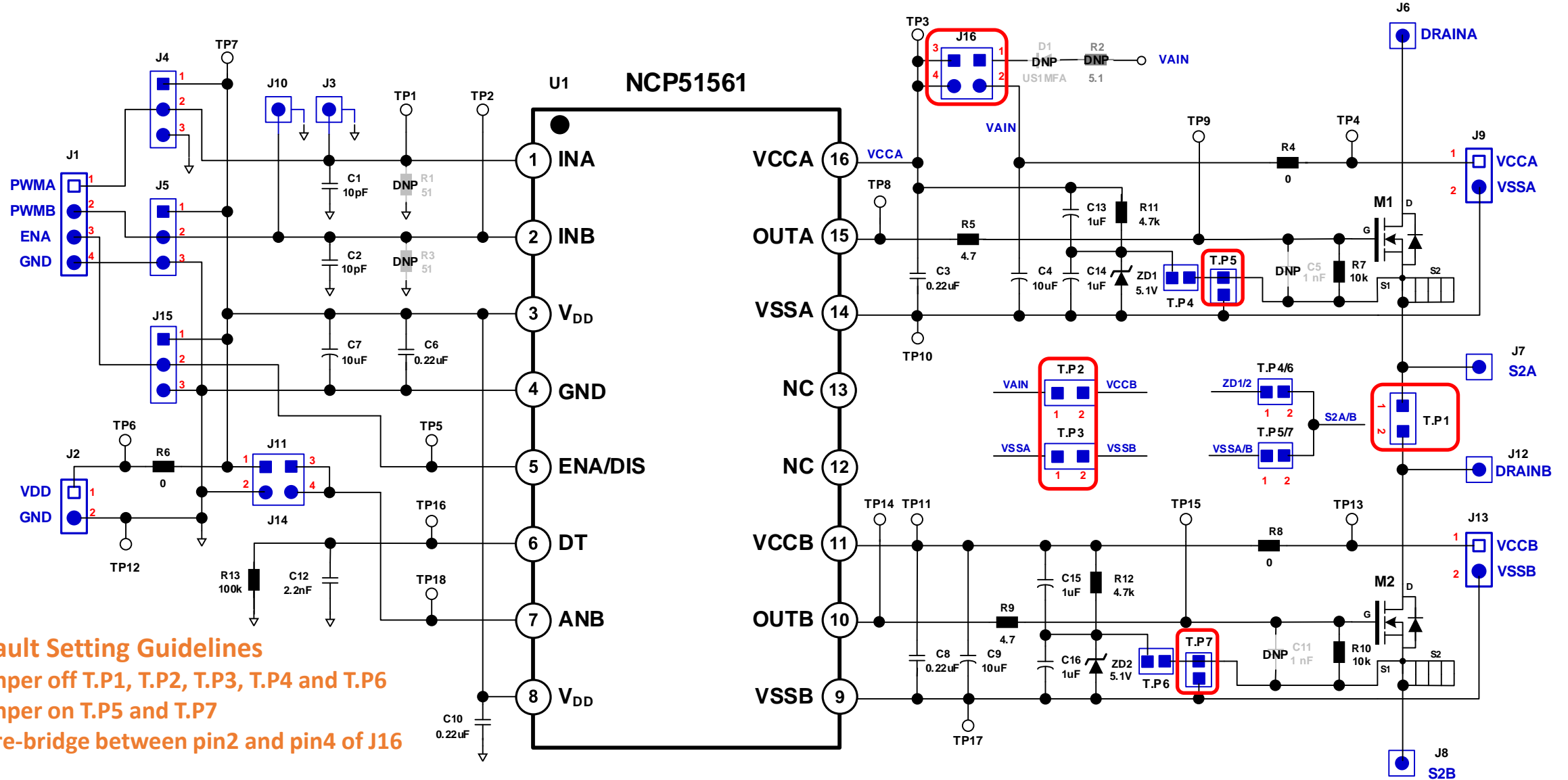
# EVBUM2817 - Type-B EVB Schematic for TO247-4L



## Default Setting Guidelines

- Jumper off T.P.1, T.P.2, T.P.3, T.P.4 and T.P.6
- Jumper on T.P.5 and T.P.7
- Wire-bridge between pin2 and pin4 of J16

# EVBUM2817 - Type-C EVB Schematic for D2PAK-7L



## Default Setting Guidelines

- Jumper off T.P.1, T.P.2, T.P.3, T.P.4 and T.P.6
- Jumper on T.P.5 and T.P.7
- Wire-bridge between pin2 and pin4 of J16

# onsemi<sup>TM</sup>

Intelligent Technology. Better Future.

Follow Us @onsemi



[www.onsemi](http://www.onsemi)