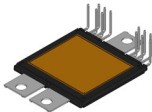
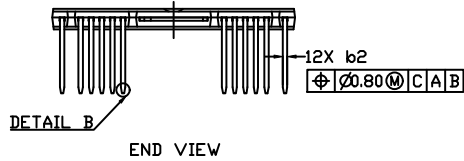


# MECHANICAL CASE OUTLINE PACKAGE DIMENSIONS

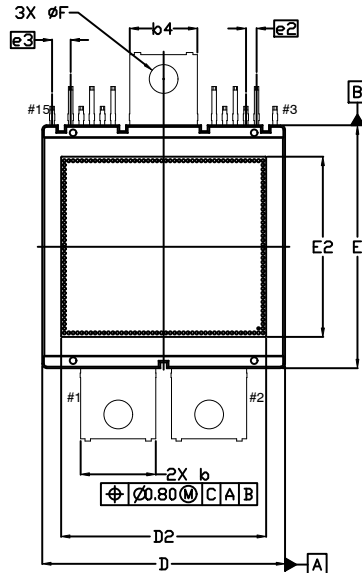


**AHPM15-CEC**  
CASE 100DV  
ISSUE A

DATE 03 OCT 2022



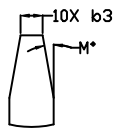
DETAIL B  
END VIEW



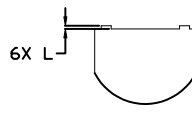
TOP VIEW



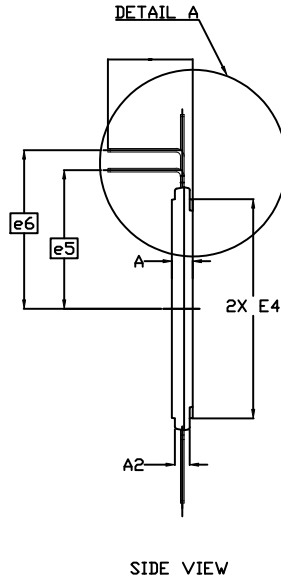
END VIEW



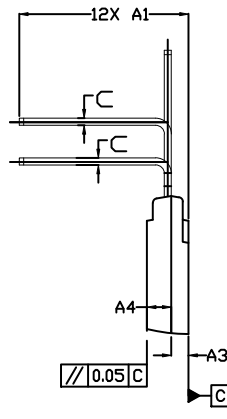
DETAIL B



DETAIL C

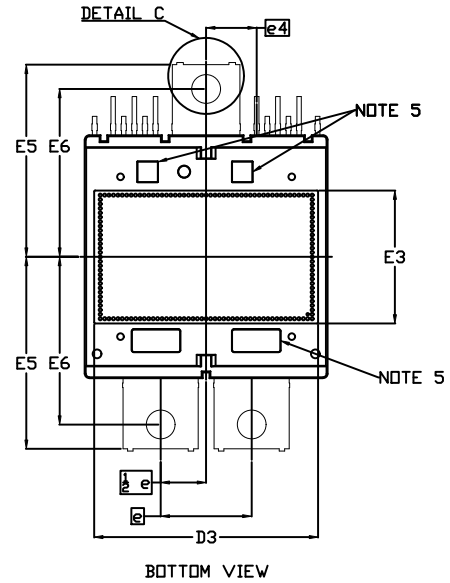


SIDE VIEW



DETAIL A

- NOTES:  
1. DIMENSIONING AND TOLERANCING PER. ASME Y14.5M, 2009.  
2. CONTROLLING DIMENSION: MILLIMETERS  
3. DIMENSIONS D & E DO NOT INCLUDE MOLD PROTRUSIONS  
4. DIMENSIONS b, b2 DO NOT INCLUDE DAMBAR REMAIN.  
5. MARKING AREA.

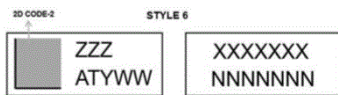


BOTTOM VIEW

DIM	MILLIMETERS		
	MIN.	NOM.	MAX.
A	4.65	4.70	4.75
A1	18.82	19.17	19.52
A2	3.20	3.40	3.60
A3	1.95 REF		
A4	2.75 REF		
b	16.90	17.00	17.10
b2	0.90	1.00	1.10
b3	0.50 REF		
b4	15.20	15.30	15.40
c	0.70	0.80	0.90
D	54.80	55.00	55.20
D2	46.20	46.50	46.80
D3	50.70	51.00	51.30
E	54.80	55.00	55.20

DIM	MILLIMETERS		
	MIN.	NOM.	MAX.
E2	40.50	40.80	41.10
E3	29.80	30.10	30.40
E4	49.40	49.60	49.80
E5	43.35	43.70	44.05
E6	37.70	38.00	38.30
e	20.60 BSC		
e2	2.40 BSC		
e3	4.20 BSC		
e4	11.45 BSC		
e5	31.40 BSC		
e6	35.90 BSC		
F	6.45	6.50	6.55
L	0.50 REF		
M	10* REF		

## GENERIC MARKING DIAGRAM\*



ZZZ = Assembly Lot Code  
AT = Assembly & Test Site Code  
YWW = Year and Work Week Code  
XXXXX = Specific Device Code  
NNNNN = Serial Number

\*This information is generic. Please refer to device data sheet for actual part marking. Pb-Free indicator, "G" or microdot "•", may or may not be present. Some products may not follow the Generic Marking.

<b>DOCUMENT NUMBER:</b>	<b>98AON21353H</b>	Electronic versions are uncontrolled except when accessed directly from the Document Repository. Printed versions are uncontrolled except when stamped "CONTROLLED COPY" in red.
<b>DESCRIPTION:</b>	<b>AHPM15-CEC</b>	<b>PAGE 1 OF 1</b>

onsemi and ONSEMI are trademarks of Semiconductor Components Industries, LLC dba onsemi or its subsidiaries in the United States and/or other countries. onsemi reserves the right to make changes without further notice to any products herein. onsemi makes no warranty, representation or guarantee regarding the suitability of its products for any particular purpose, nor does onsemi assume any liability arising out of the application or use of any product or circuit, and specifically disclaims any and all liability, including without limitation special, consequential or incidental damages. onsemi does not convey any license under its patent rights nor the rights of others.